

# DOVRE

---

CATALOGUE 2016 - 2017  
**FIREPLACES & STOVES**



Fire with Character





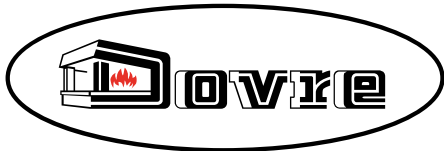
Dovre NV of Belgium is a family owned company that specialises in the development, production and sales of fireplaces and stoves in high quality cast iron. The company has been a reference for cast iron for many years. Dovre products are best known for their quality and attractive design, high efficiency and environmentally responsible combustion. These performance parameters, which are well above international standards, are the result of a great deal of professional expertise and commitment. Dovre stands for authentic warmth with real flames, and for tastefully designed products that will suit any living room. The company's innovation and creativity are constantly applied for still more warmth and comfort.

## Fire with Character

Dovre fireplaces and stoves have their origins in the harsh winters of the far north. They have been proving their exceptional quality day after day for more than 80 years.

Over the past years, Dovre products have gained an iron-clad reputation for innovative heating technology in our part of the world as well. Hundreds of thousands of people are already enjoying the cosy warmth and comfort of a Dovre in their living room. Dovre stoves and fireplaces are made of the perfect heat conductor: high quality cast iron.





## Built-in and insert fireplaces

VISTA	P. 9
ZEN	P. 14
2175	P. 19
2176	P. 20
2180	P. 23
2100	P. 26
2400	P. 29
VISTA "I"	P. 30
PHOENIX	P. 32
2576	P. 37
20-SERIES	P. 38
10-SERIES	P. 46

## Stoves

ROCK	P. 50
BOLD	P. 54
SENSE	P. 56
VINTAGE	P. 63
BOW	P. 69
TAI	P. 72
760	P. 76
640	P. 78
BRUT	P. 81
ASTRO4	P. 82
ASTRO3	P. 85
ASTRO2	P. 86
2575/3SEC	P. 88
750	P. 91
250	P. 92
425	P. 94
310GX	P. 96
300CB	P. 97
100CBS	P. 98
600	P. 99

40CBS	P. 101
525CB	P. 102
325CB	P. 103
360CB(3)	P. 104
350CB(3)	P. 105

## Gas stoves

VINTAGE	P. 108
ASTRO4GA	P. 112
750GA	P. 114
725GA	P. 115
425GA	P. 116

## Technical specifications

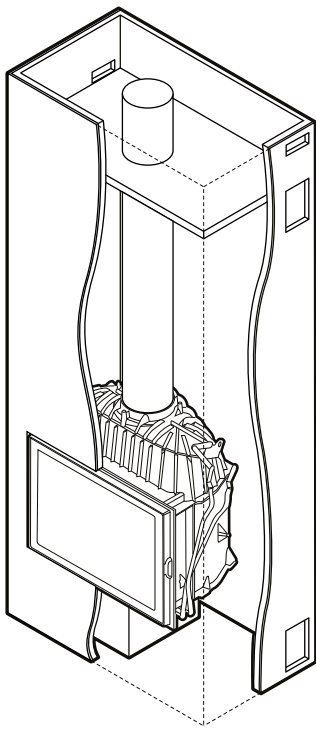
FIREPLACES	P. 129
INSERTS	P. 135
STOVES	P. 139
GAS STOVES	P. 151

## BUILT-IN FIREPLACE OR INSERT?

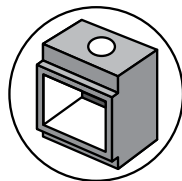
Dovre's range of built-in solutions includes a series of built-in fireplaces for use with newly built chimneys. Alternatively there are insert fireplaces (also known as inset or cassette fireplaces). These are originally designed for installation in existing chimneys, but can also be built into new chimneys.

Built-in fireplaces are fully built into the chimney and cannot be removed afterwards without major structural work. They are available with or without a convection box and fans. Built-in fireplaces are generally fitted into newly built chimneys. All normal maintenance work can be carried out via the door opening.

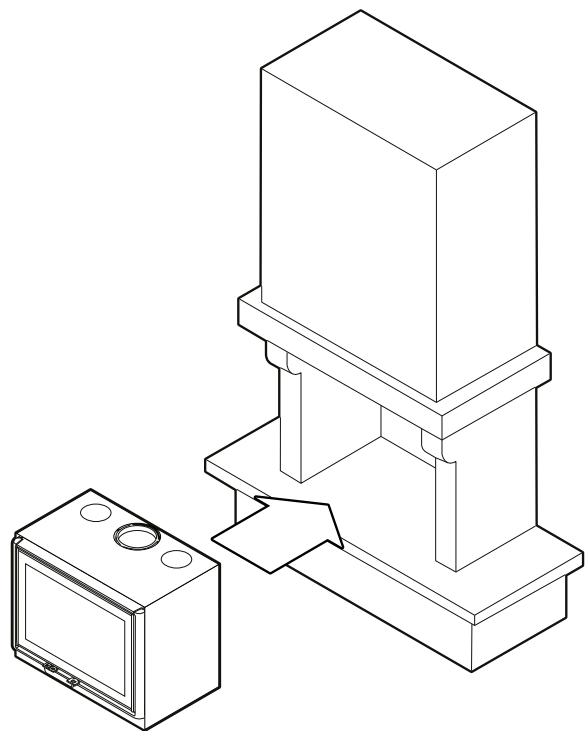
Insert, cassette or inset fireplaces are made in a compact shape with a flat top so that they can be slid into an opening in the chimney. The frame of the appliance covers the opening. These appliances can be simply removed from the chimney later the same way without structural work. Built-in inserts are fitted with a convection box and often have fans as well. They are typically used in the replacement market and installed in existing chimneys, but can also be used in new build projects. All normal maintenance work can be carried out via the door opening. No structural work is needed for this.



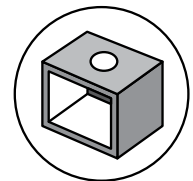
BUILT-IN FIREPLACE



BUILT-IN



INSERT - CASSETTE - INSET



INSERT



## Built-in and insert fireplaces

People have been warming themselves in front of an open fire for centuries. The dancing flames have a huge attraction for us. A fireplace or insert now offers a wonderful alternative to a traditional open fire. Thanks to modern technology, your fireplace or insert offers a practical and environmentally friendly way to heat your home. Thanks to highly efficient burning, you can control the combustion and use less fuel.



VISTA900, 25MM FRAME

**ALSO INSERT  
FIREPLACES  
FOR EXISTING  
CHIMNEY!  
SEE P. 30**

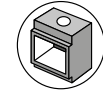


As for the finishing touch, you can choose between a minimalistic 4mm rim or a bolder 25 mm one. Both come standard.

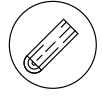


# VISTA

- VISTA900 & VISTA900C
- VISTA800 & VISTA800C
- VISTA700 & VISTA700C
- VISTA600 & VISTA600C



BUILT-IN



WOOD

## BUILT-IN FIREPLACES



### GENERAL SPECIFICATIONS

#### VISTA900 & VISTA900C

- Length of logs: 60cm
- Nominal output: 14,0kW
- Output range: 4,7-16,0 kW
- Efficiency: 80%

#### VISTA800 & VISTA800C

- Length of logs: 60cm
- Nominal output: 12,0kW
- Output range: 4,0-14,0 kW
- Efficiency: 82.5%

#### VISTA700 & VISTA700C

- Length of logs: 50cm
- Nominal output: 10,0kW
- Output range: 3,3-12,0 kW
- Efficiency: 83%

#### VISTA600 & VISTA600C

- Length of logs: 40cm
- Nominal output: 8,0kW
- Output range: 2,7-10,0 kW
- Efficiency: 80%

### GENERAL SPECIFICATIONS

- Fuel: wood
- Location connection: on top
- Connection outside air
- Ø Chimney flue connection:
  - VISTA600 & 700: Ø 150mm
  - VISTA800 & 900: Ø 200mm
- 4 sizes
- With or without convection box
- Versions with convection box have connections for hot air output
- Stylish, black lacquered cast iron and sheet steel
- Choice between the minimalist 4mm rim and a decorative 25mm frame. Both come standard.
- Large, landscape glass door
- Perfect flame control
- Efficient, controlled combustion: optimal use of fuel.
- See below for VISTA inserts: ideal for an existing chimney (renovation)!

### OPTIONS

- Cast iron interior (sidepanels and back)
- Pedestal (only available for "C" versions)
- Adjustable leg set (only available for "C" versions)
- Fan system (only available for "C" versions)
- Heat Shield



You have the option to replace the standard vermiculite bricks with a black lacquered cast iron interior.

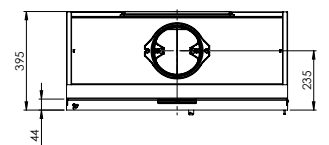
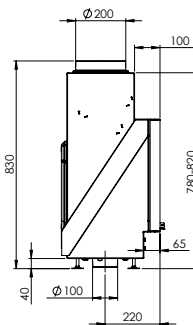
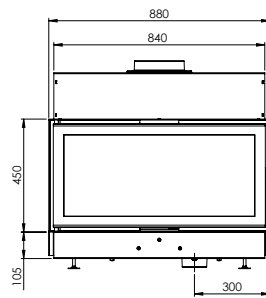


VISTA900, MINIMALISTIC RIM

**VISTA900:**

Efficiency: 80%  
WxHxD: 880x450x400 mm

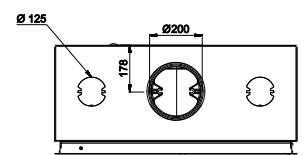
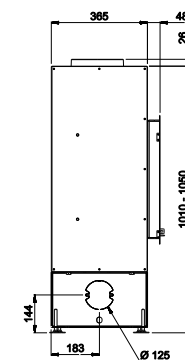
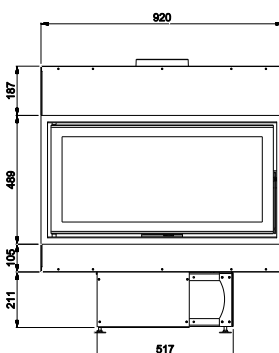
Landscape wood fireplace with glass door - 90cm wide.



**VISTA900C:**

Efficiency: 80%  
WxHxD: 920x1010-1050x415 mm

Landscape wood fireplace with glass door - 90cm wide. With convection box.



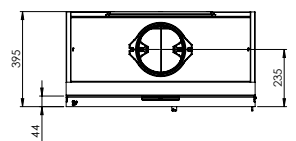
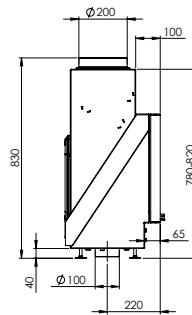
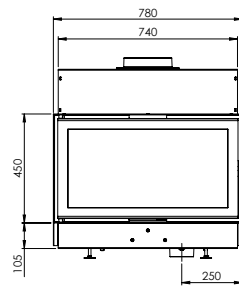


VISTA800, 25MM FRAME

**VISTA800:**

Efficiency: 82.5%  
WxHxD: 780x450x400 mm

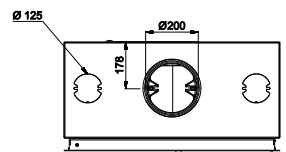
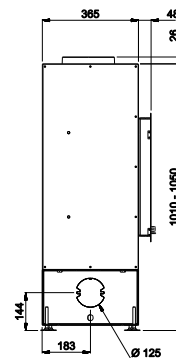
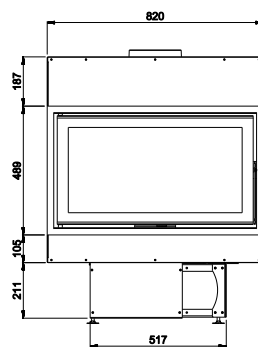
Landscape wood fireplace with  
glass door - 80cm wide.



**VISTA800C:**

Efficiency: 82.5%  
WxHxD: 820x1010-1050x415 mm

Landscape wood fireplace with  
glass door - 80cm wide. With  
convection box.



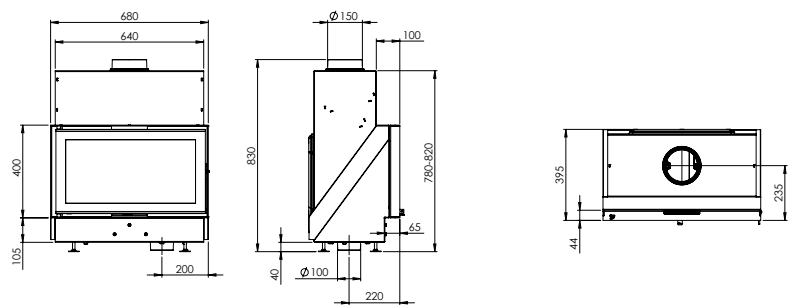


VISTA700 WITH CAST IRON INTERIOR, 25MM FRAME

**VISTA700:**

Efficiency: 83%  
WxHxD: 680x400x400 mm

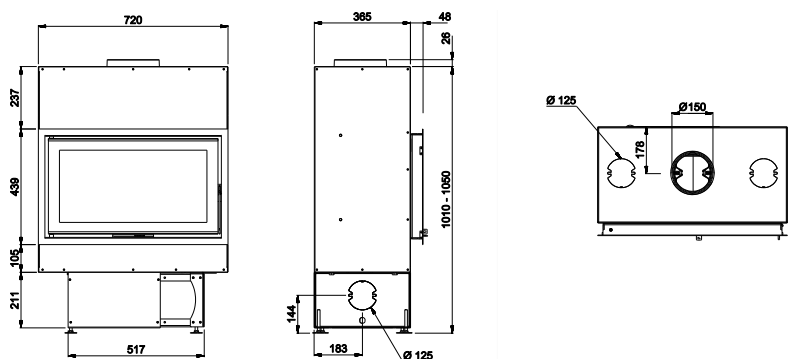
Landscape wood fireplace with glass door - 70cm wide.



**VISTA700C:**

Efficiency: 83%  
WxHxD: 720x1010-1050x415 mm

Landscape wood fireplace with glass door - 70cm wide. With convection box.



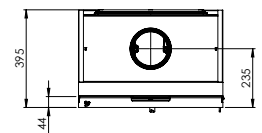
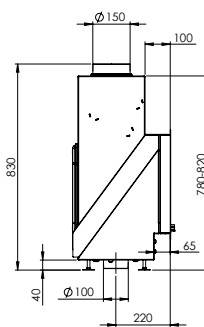
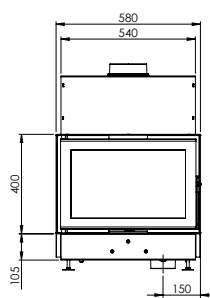


VISTA600, 25MM FRAME

**VISTA600:**

Efficiency: 80%  
WxHxD: 580x400x400 mm

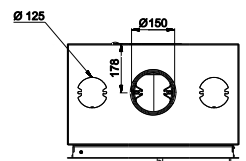
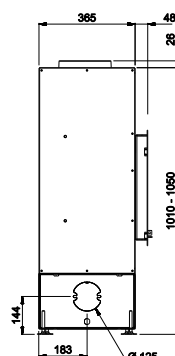
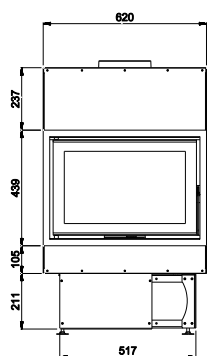
Landscape wood fireplace with glass door - 60cm wide.



**VISTA600C:**

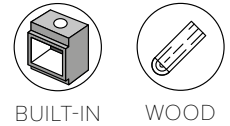
Efficiency: 80%  
WxHxD: 620x1010-1050x415 mm

Landscape wood fireplace with glass door - 60cm wide. With convection box.



# ZEN

- ZEN100
- ZEN102



## BUILT-IN FIREPLACES

### GENERAL SPECIFICATIONS

- Fuel: wood
- Nominal output: 4,8kW
- Output range: 1,9-5,9 kW
- Ø Chimney flue connection: 150mm
- Location connection: on top
- Length of logs: 30cm
- Connection outside air
- Frontversion (ZEN100) or a double-sided version (ZEN102)
- Black painted with 15mm thin frame
- Compact, slim dimensions
- An innovative, patented product with a unique combustion system thanks to the deeper fuel bed
- An ideal solution for low energy homes

### OPTION

- Leg extension and wall anchor set
- Recessed 25mm frame and 50mm dept + matching handgrip
- Optional Promat's fire-resistant do-it-yourself kit



**AWARDED, ECO-FRIENDLY DESIGN**  
In 2015, DOVRE won the prestigious Norwegian "Bioenergy Innovation award" for the design and the innovative combustion technology of its ZEN wood fireplace. Thanks to its exceptionally efficient combustion system and its low consumption levels, this fireplace is a great, eco-friendly solution for every home.

ZEN102 + PROMAT



ZEN100

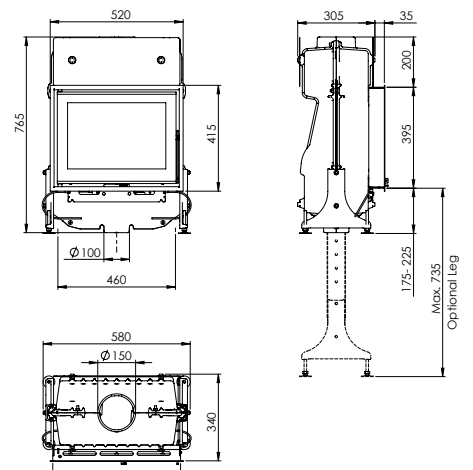


Optional:  
leg extension and  
wall anchor set

**ZEN100:**

Efficiency: 80,1%  
WxHxD: 580x765x340 mm

Compact wood fireplace with most  
efficient low heat output, front  
version.





ZEN102



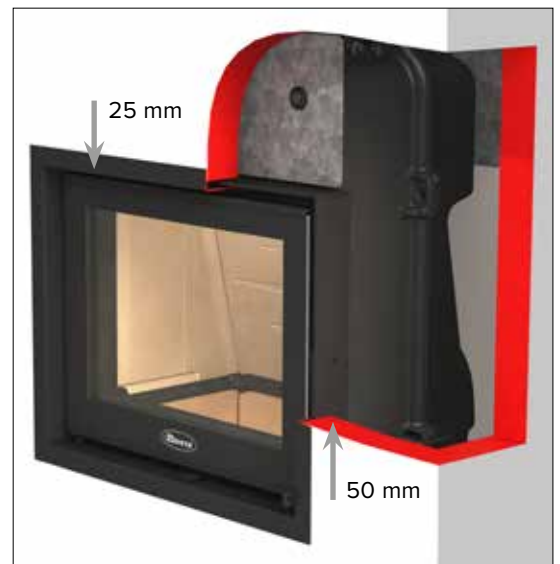
**Air flow**  
 Fresh air (blue)  
 Airwash (green)  
 Chimney flue (red)

Double glazing for extra insulation

Recessed base

Minimum installation depth

Optional recessed frame



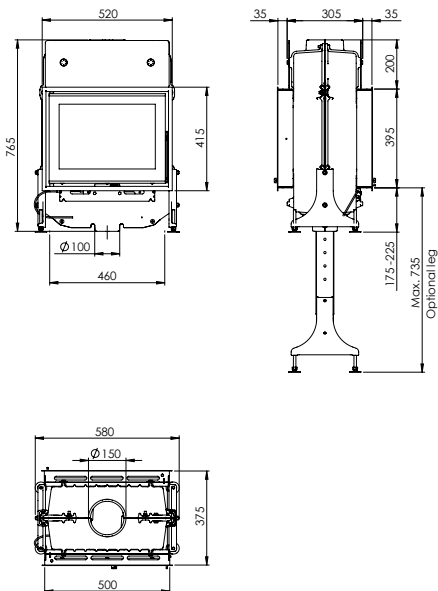


## ZEN102:

Efficiency: 80,1%

WxHxD: 580x765x340 mm

Compact wood fireplace with most efficient low heat output, double-sided version.



ZEN102

### OUR AWARDED BUILT-IN FIREPLACE, IN FREESTANDING DESIGN

Are you interested in DOVRE's ZEN? Then you might want to consider a Promat mantle.

This high-quality housing made of PROMAFOUR®, a fireproof material, is now available on the ZEN100 and can be modified to fit the ZEN102.

If needed, you can further personalize the casing with a lick of paint in the colour of your choice.



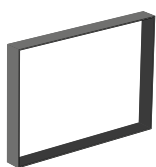
"Do it yourself" optional Promat mantle



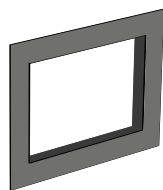


2175CBS3CP/B

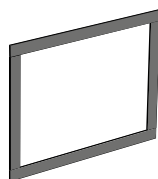
#### FRAMES 2175CBS(CP)/B



**MINIMALISTIC**  
K75.21/MINI  
Frame width: 4mm  
WxH = 679x514



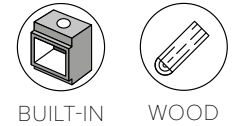
**PLANO**  
K75.21PLANOB  
Frame width: 103mm  
WxH = 870x716



**4-SIDED**  
K75.21/4/B  
Frame width: 20mm  
WxH = 704x558.5

# 2175

- 2175CBS3CP/B & 2175CBS3/B
- 2175CBSCP/B & 2175CBS/B



BUILT-IN WOOD

## BUILT-IN FIREPLACES

### GENERAL SPECIFICATIONS

- Fuel: wood
- Nominal output: 10,0kW
- Output range: 3,3-12,0 kW
- Ø Chimney flue connection: 150mm
- Location connection: on top
- Length of logs: 50cm
- Connection outside air
- Choice between a front version, 2-sided or fireplace with 3-sided glass
- Version with or without convection box (CP)
- The door opens to the left and can optionally be converted to open to the right.

### OPTION

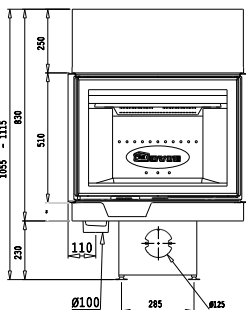
- Choice of different frame sets: minimalistic, 4-sided or plano.
- Fan set: VSET2180 (400m<sup>3</sup>/h and 4 speed switch)
- Conversion set for corner fireplace 2175CBS3/B: OMB.2175CB/B
- Log retainer: 03.77089.021
- Conversion set for door opening direction GS75L/B



2175CBS3CP/B, CONVERTED INTO 2-SIDED CORNER FIREPLACE



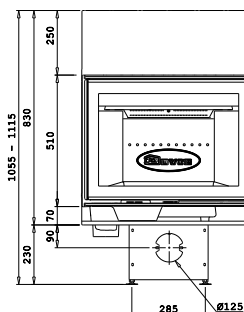
2175CBSCP/B



#### 2175CBS3CP/B:

Efficiency: 75,9%  
WxHxD: 670x1055-1115x500 mm

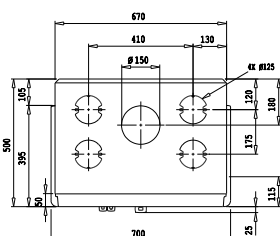
Wood fireplace with straight glass door, 3-sided glass, convection box and pedestal. Can be converted into a 2-sided fireplace.



#### 2175CBSCP/B:

Efficiency: 75,9%  
WxHxD: 670x1055-1115x500 mm

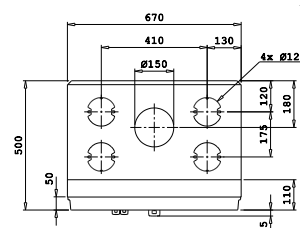
Wood fireplace with straight glass door, convection box and pedestal.



#### 2175CBS3/B:

Efficiency: 75,9%  
WxHxD: 670x820x430 mm

Wood fireplace with straight glass door, 3-sided glass. Can be converted into a 2-sided fireplace.



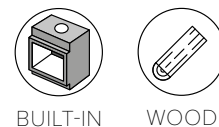
#### 2175CBS/B:

Efficiency: 75,9%  
WxHxD: 670x820x430 mm

Wood fireplace with straight glass door.

# 2176

- 2176CBSCP/B
- 2176CBS/B



## BUILT-IN FIREPLACES

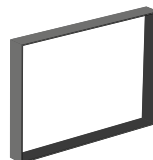
### GENERAL SPECIFICATIONS

- Fuel: wood
- Nominal output: 10,0kW
- Output range: 3,3-12,0 kW
- Ø Chimney flue connection: 150mm
- Location connection: on top
- Length of logs: 50cm
- Connection outside air
- Tall and modern glass door
- Ashtray included
- The door opens to the left and can optionally be converted to open to the right.

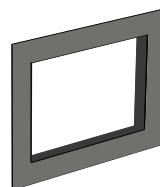
### OPTIONS

- Choice of different frame sets: minimalistic, 4-sided or plano.
- Fan set: VSET2180 (400m<sup>3</sup>/h and 4 speed switch)
- Log retainer: 03.77089.021
- Conversion set for door opening direction GS76L/B

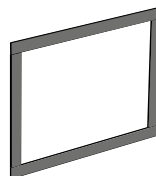
### FRAMES 2176CBS(CP)/B



**MINIMALISTIC**  
K76CBS/MINI  
frame width: 4mm,  
WxH = 679x579



**PLANO**  
K76CBSPLANOB  
frame width: 103mm,  
WxH = 870x780



**4-SIDED**  
K76CBS/4/B  
frame width: 20mm,  
WxH = 704x618.5



2176CBSCP/B, 4-SIDED 2CM FRAME

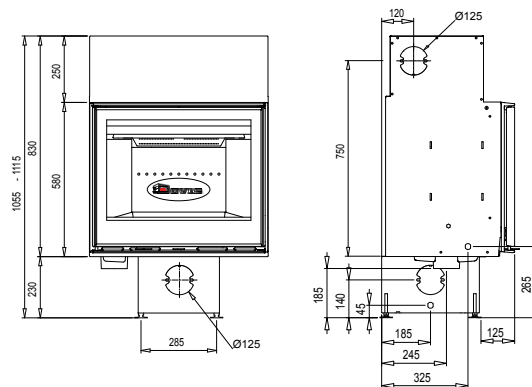


2176CBSCP/B, MINIMALISTIC FRAME

**2176CBSCP/B:**

Efficiency: 75,9%  
WxHxD: 670x1055-1155x500 mm

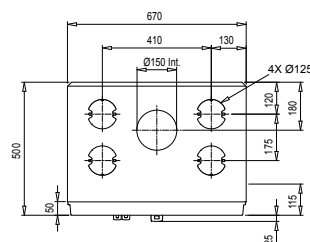
Wood fireplace with straight glass door (60cm high), convection box and pedestal.



**2176CBS/B**

Efficiency: 75,9%  
WxHxD: 670x820x430 mm

Wood fireplace with straight glass door (60cm high).





2180CBGD/B PLANO FRAME

# 2180

- 2180CBGD/CP/B & 2180CBGD/B
- 2180CBSCP/B & 2180CBS/B
- 2180CBCCP/B & 2180CBC/B



BUILT-IN



WOOD

## BUILD-IN FIREPLACES

### GENERAL SPECIFICATIONS

- Fuel: wood
- Nominal output: 15,0kW
- Output range: 5,0-17,0 kW
- Ø Chimney flue connection: 200mm
- Location connection: on top
- Length of logs: 60cm
- Connection outside air
- Large panoramic door offers maximum view of the flames
- Choice between lifting door, straight door or classic door
- Version with or without convection chamber (CP).

### OPTION

- Choice of different frame sets
- VSET2180 fan set (400m<sup>3</sup>/h and 4 speed switch)

#### 2180CBGD/CP/B:

Efficiency: 76%

WxHxD: 900x1517-1577x550 mm

Large wood fireplace with panoramic lifting glass door, convection box and pedestal.

#### 2180CBGD/B:

Efficiency: 76%

WxHxD: 900x1304x500 mm

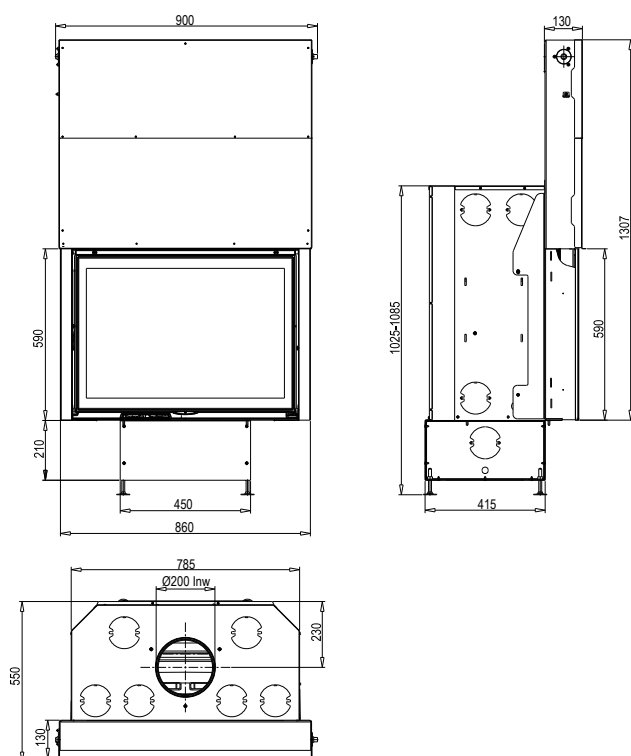
Large wood fireplace with panoramic lifting door.



FAN



2180CBGD/B, MINIMALISTIC FRAME



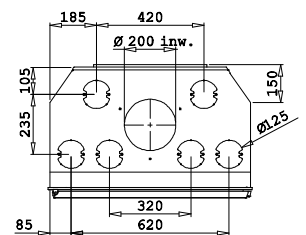
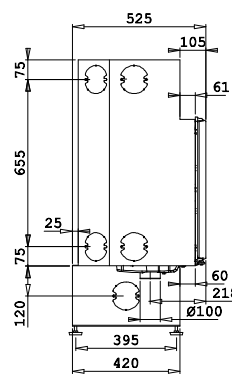
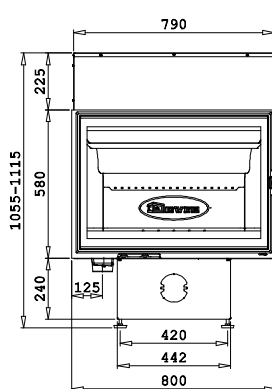


2180CBSCP/B, MINIMALISTIC FRAME

**2180CBSCP/B:**

Efficiency: 76%  
 WxHxD: 800x1055-1155x525 mm

Large wood fireplace with straight panoramic glass door, convection box and pedestal.



**2180CBS/B:**

Efficiency: 76%  
 WxHxD: 800x805x473 mm

Large wood fireplace with straight panoramic glass door.



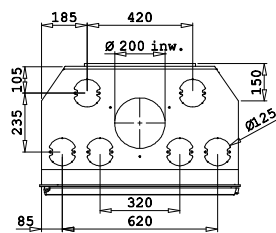
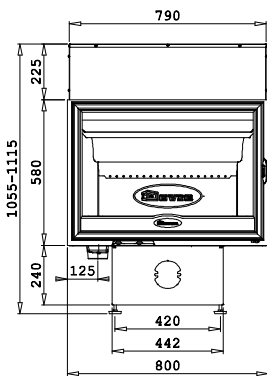


2180CBCCP/B

**2180CBCCP/B:**

Efficiency: 76%  
WxHxD: 800x1055-1155x525 mm

Large wood fireplace with classic panoramic glass door, convection box and pedestal.



**2180CBC/B:**

Efficiency: 76%  
WxHxD: 800x805x473 mm

Large wood fireplace with classic panoramic glass door.

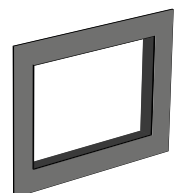
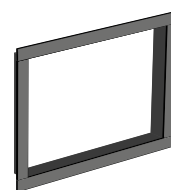
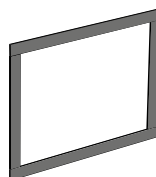
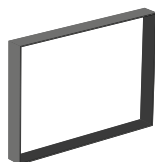
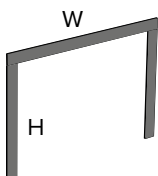
**FRAMES 2180CBGD(CP)/B**

**MINIMALISTIC**  
WxH: 856x603mm  
Frame width: 4mm  
(K2180GD/MINI)

**FOUR SIDED**  
WxH: 860x669mm  
Frame width: 43mm,  
Frame depth: 43mm  
(K2180GD/4/B)

**FOUR SIDED RECESSED**  
WxH: 860x669mm  
Frame width: 43mm  
Frame depth: 90mm  
(K2180GD/4D/B)

**PLANO**  
WxH: 1240x790mm  
Frame width: 233mm  
Frame height: 104mm  
Frame depth: 90mm  
(K2180PLANO/B)



**FRAMES 2180CBS(CP)/B AND 2180CBC(CP)/B**

**THREE SIDED**  
WxH: 843x605mm  
Frame width: 20mm  
(K2180CB/3/B)

**MINIMALISTIC**  
WxH: 812x595mm  
Frame width: 4mm  
(K2180CB/MINI)

**FOUR SIDED**  
WxH: 843x605mm  
Frame width: 20mm.  
order 3-sides + lower  
edge (K2180CB/OR/B +  
K2180BS/OR/B)

# 2100



BUILT-IN



WOOD



COAL



LIGNITE

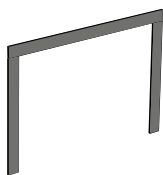
## GENERAL SPECIFICATIONS

- Fuel: wood, coal and lignite briquettes
- Nominal output: 10,0kW
- Ø Chimney flue connection: 200mm
- Location connection: on top
- Length of logs: 50cm
- Fitted with both a grate and an ash box.
- The door opens to the right and can be converted to the left easily.

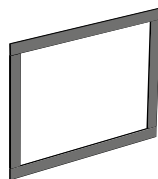
## OPTION

- Choice in different frame sets: 3-sided or 4-sided
- Coal basket (except for double-sided inserts) K2100

## FRAMES 2100



**THREE-SIDED**  
K21/3



**FOUR-SIDED**  
Order three-sided + lower edge  
K00/OR



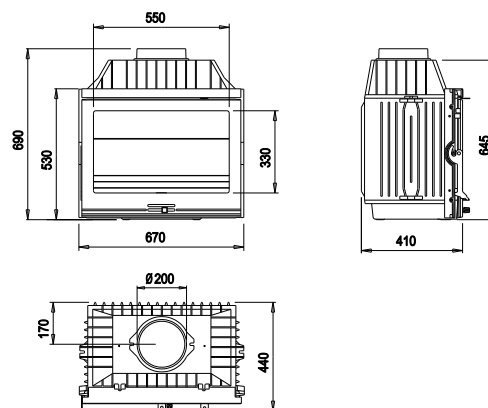
2100S, 3-SIDED FRAME



### 2100S:

Efficiency: 78%  
WxHxD: 670x690x410 mm

Multi-fuel fireplace with straight glass door.



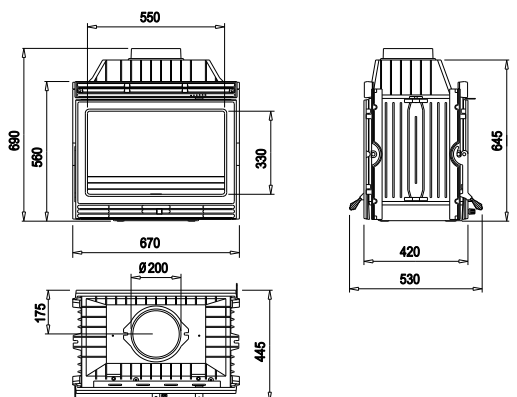


2100SD, 4-SIDED FRAME



**2100SD:**  
 Efficiency: 78%  
 WxHxD: 670x690x410 mm

Double-sided fireplace with straight glass door.

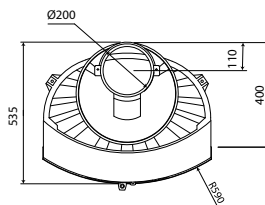
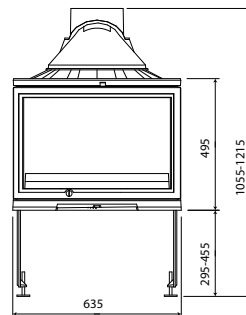




**2400BS:**

Efficiency: 72%  
 WxHxD: 635x1055-1215x535 mm

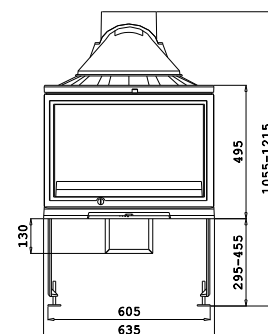
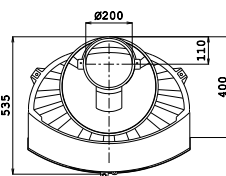
Wood fireplace with curved glass door.



**2400BSA:**

Efficiency: 72%  
 WxHxD: 635x1055-1215x535 mm

Wood fireplace with curved glass door, ashbox included.



# 2400



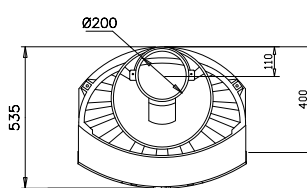
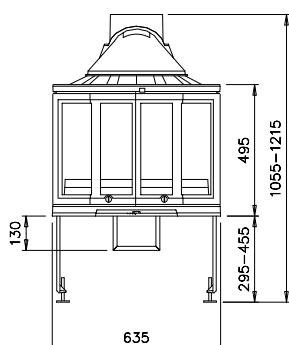
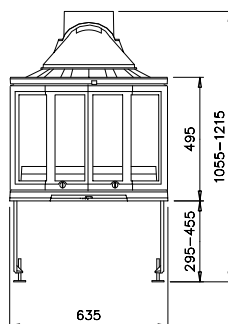
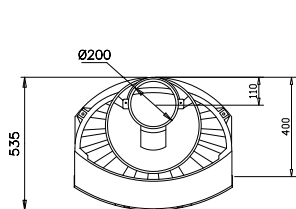
BUILT-IN



WOOD

## GENERAL SPECIFICATIONS

- Fuel: wood
- Nominal output: 9,0kW
- Ø Chimney flue connection: 200mm
- Location connection: on top, rear + possibility to convert to 10°
- Length of logs: 40cm
- You can choose between a curved door (BS) or folding doors (GL).
- With or without an ashbox.
- Adjustable legs allow perfect fitting.



### 2400GL:

Efficiency: 72%

WxHxD: 635x1055-1215x535 mm

Wood fireplace with folding doors.

### 2400GLA:

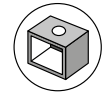
Efficiency: 72%

WxHxD: 635x1055-1215x535 mm

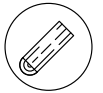
Wood fireplace with folding doors,  
ashbox included.

# VISTA "I"

- VISTA800I
- VISTA700I



INSERT



WOOD

IDEAL FOR EXISTING CHIMNEYS: **INSERT FIREPLACES**

## GENERAL SPECIFICATIONS

### VISTA800I

- Length of logs: 60cm
- Nominal output: 12,0kW
- Output range: 4,0-14,0 kW
- Efficiency: > 75%

### VISTA700I

- Length of logs: 50cm
- Nominal output: 10,0kW
- Output range: 3,3-12,0 kW
- Efficiency: > 75%

## GENERAL SPECIFICATIONS

- Fuel: wood
- Ø Chimney flue connection: 180mm
- Location connection: on top, rear + possibility to convert to 45°
- Connection outside air
- 2 sizes: 800i and 700i
- Stylish, black lacquered cast iron and sheet steel
- Choice between the minimalist 6mm rim and a decorative 25mm frame. Both come standard.
- Large glass door
- Ashtray included
- Ideal for renovation with an existing chimney!

VISTA700I WITH 25MM FRAME





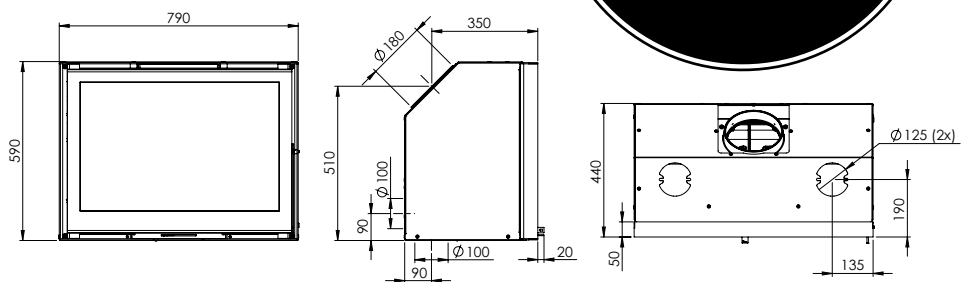
**IDEAL FOR RENOVATION!**

**new**

**VISTA800I:**

Efficiency: > 75%  
WxHxD: 790x590x440 mm

VISTA insert with convection box and fan, 80cm-wide glass door.

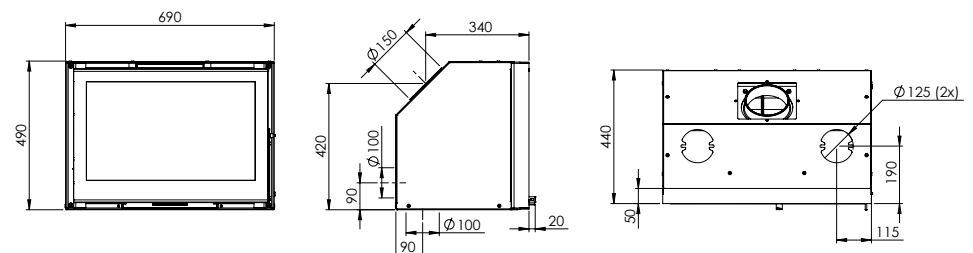


**new**

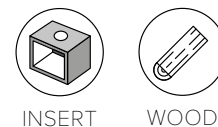
**VISTA700I:**

Efficiency: > 75%  
WxHxD: 690x490x440 mm

VISTA insert with convection box and fan, 70cm-wide glass door.



# PHOENIX



## INSERT FIREPLACES

### GENERAL SPECIFICATIONS PHOENIX:

- Fuel: wood
- Nominal output: 9,0 kW
- Ø Chimney flue connection: 150mm
- Location connection: on top
- Length of logs: 30cm
- Retrofit for DOVRE2000 fireplace: easy conversion!
- Can also be built in for new construction projects
- Or as replacement (renovation)

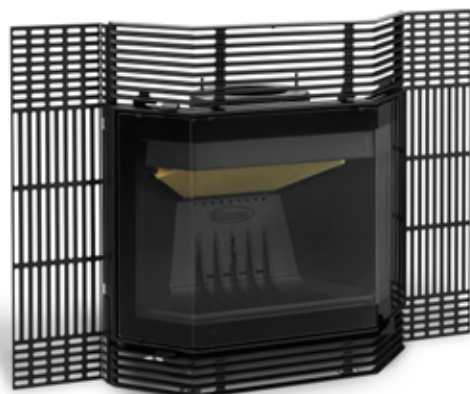
### OPTIONS

- 02.52267.000: optional heat shield and extended legs, ideal for new construction
- 02.52272.000: optional grates and extended legs, ideal for renovations



Thanks to the optional heat shield and legs, this insert makes a great solution for your new construction project.

With the optional grates and optional leg set, Phoenix is highly suited to renovation projects.







**CAN ALSO  
BE USED AS  
INSERT FOR NEW  
CONSTRUCTION  
PROJECTS!**

Thanks to Phoenix you can easily convert  
your old DOVRE2000 fireplace.



DOVRE2000

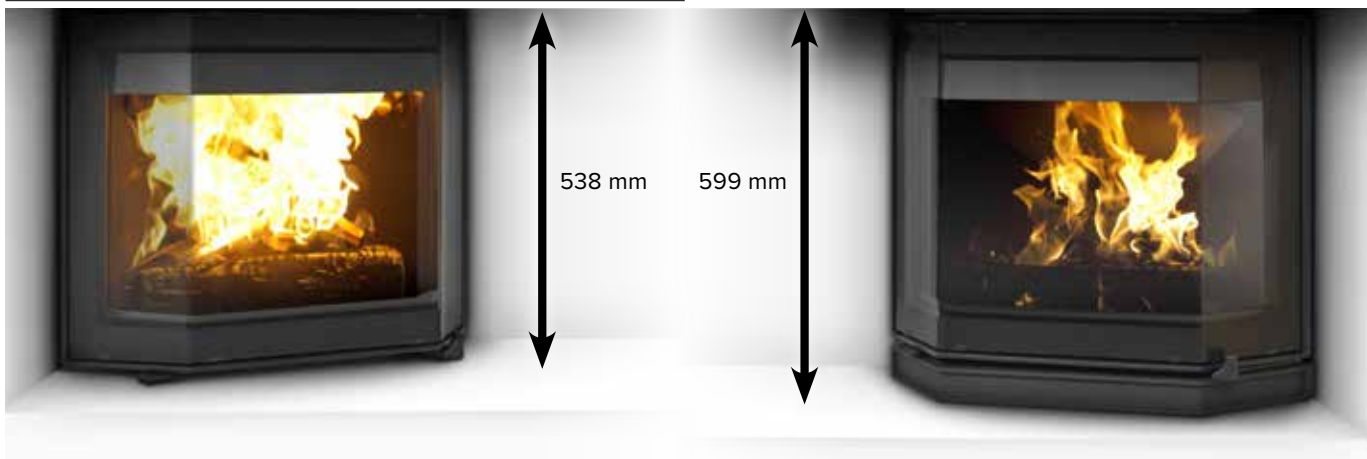


PHOENIX I



PHOENIX II

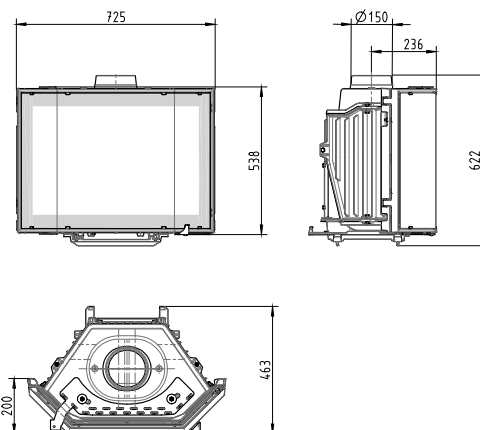
Choose either Phoenix I or Phoenix II depending on the height of the original door.



**PHOENIX I:**

Efficiency: 79,3%  
WxHxD: 725x622x463 mm

Phoenix retrofit for DOVRE2000, modern look and panoramic view on the fire.



**PHOENIX II:**

Efficiency: 79,3%  
WxHxD: 725x670x474 mm

Phoenix retrofit for DOVRE2000S, modern look and panoramic view on the fire.



*"You do not need  
a polar bear knocking at your door  
to start an exciting day"*

---

Image and quote from book "PURE POWER" , Dixie Dansercoer  
More info about Dixie Dansercoer and Polar Circles is available on page 126 or  
[www.polarcircles.com](http://www.polarcircles.com)



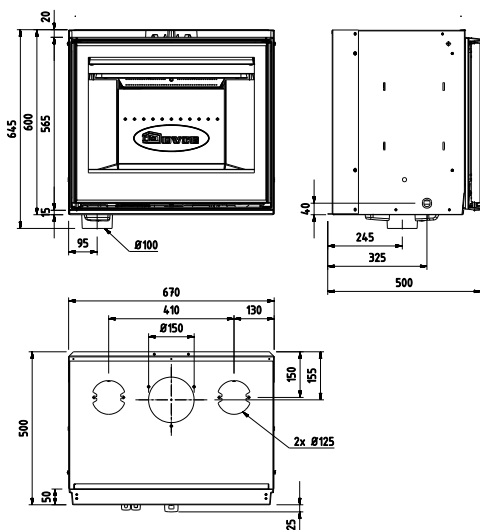
2576CBSC/B; PLANO FRAME

**2576CBSC/B:**

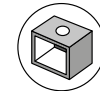
Efficiency: 75,9%

WxHxD: 670x600x500 mm

Wood insert with straight glass door  
(60 cm high).



# 2576



INSERT



WOOD

## INSERT FIREPLACES



2576CBSC/B, MINIMALISTIC FRAME

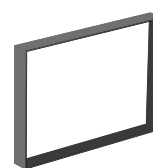
### GENERAL SPECIFICATIONS

- Fuel: wood
- Nominal output: 10,0kW
- Output range: 3,3-12,0 kW
- Ø Chimney flue connection: 150mm
- Location connection: on top
- Length of logs: 50cm
- Connection outside air
- Tall and modern glass door
- Ashtray and fan included
- The door opens to the left and can optionally be converted to open to the right.

### OPTIONS

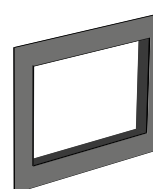
- Choice of different frame sets: minimalistic, 4-sided or plano
- Conversion set for door opening direction GS76L/B

### FRAMES 2576CBSC/B



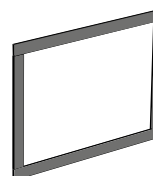
#### MINIMALISTIC

K76.25/MINI = 4mm  
WxH = 688x620



#### PLANO

K76.25PLANOB = 103mm  
WxH = 868x795



#### FOUR-SIDED

K76.25/4-2/B = 20mm  
WxH = 704x636

K76.25/4-4/B = 40mm  
WxH = 724x656

# 20-SERIES

## MODERN DESIGN



INSERT



WOOD



COALS



LIGNITE

## INSERT FIREPLACES

Our modern 20 series is available in the following versions:

- 2620SC/B: flat glass door
- 2320SC/B: flat glass door and smaller than 2620SC/B
- 2120SC/B: flat glass door: version with minimum measurements

### GENERAL SPECIFICATIONS

---

#### 2620SC/B

- Length of logs: 50cm
- Nominal output: 10,0kW
- Output range: 3,3-12,0 kW
- Efficiency: 80%

#### 2320SC/B

- Length of logs: 50cm
- Nominal output: 8,0kW
- Output range: 2,7-10,0 kW
- Efficiency: 78,3%

#### 2120SC/B

- Length of logs: 40cm
- Nominal output: 7,0kW
- Output range: 2,3-9,0 kW
- Efficiency: 78,3%

### GENERAL SPECIFICATIONS

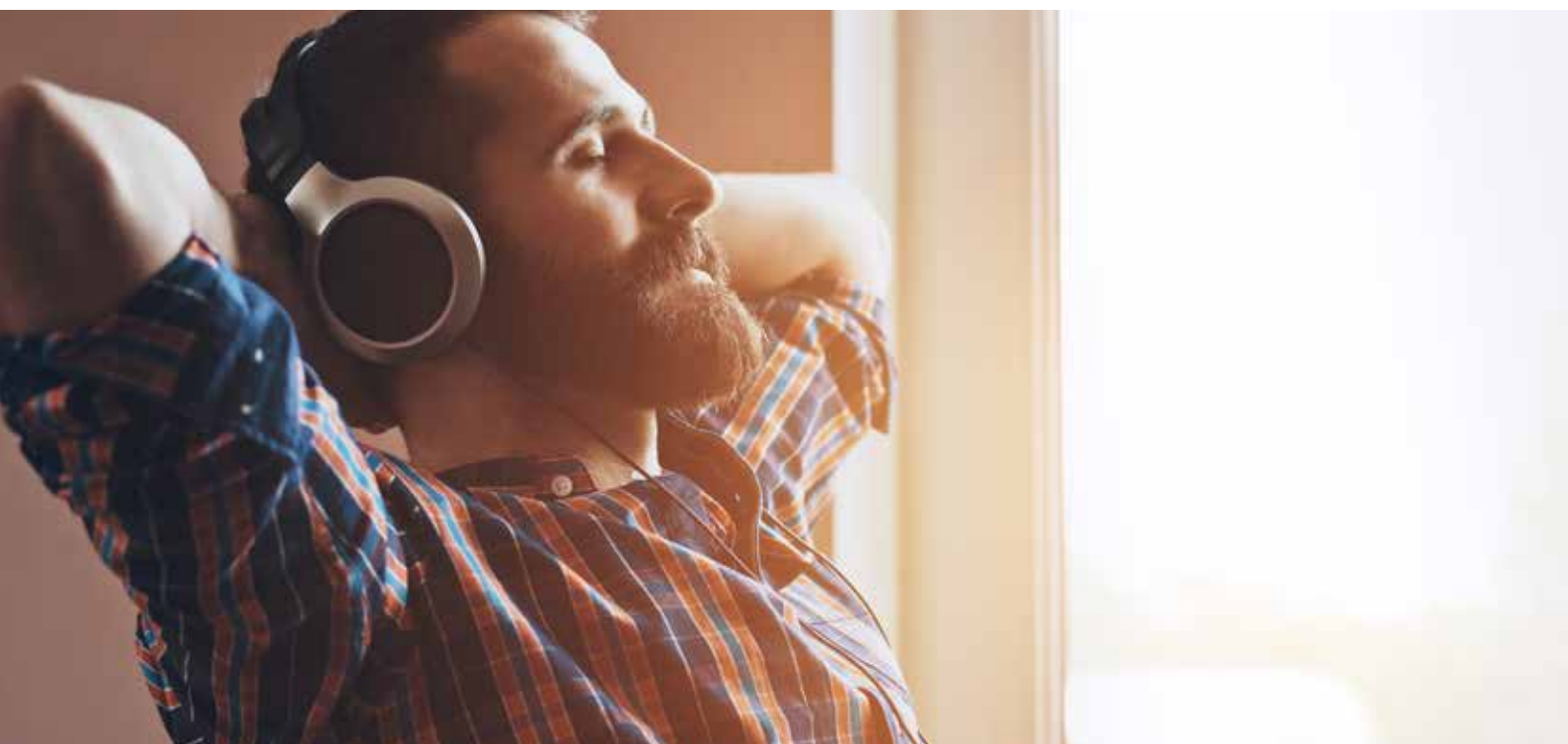
---

- Fuel: wood, coal and lignite briquettes
- Ø Chimney flue connection: 150mm
- Location connection: on top
- Fitted with both a grate and an ash box
- A simple conversion allows the door to open to the left
- Including 4-sided frame (frameborder 25mm)

### OPTIONS

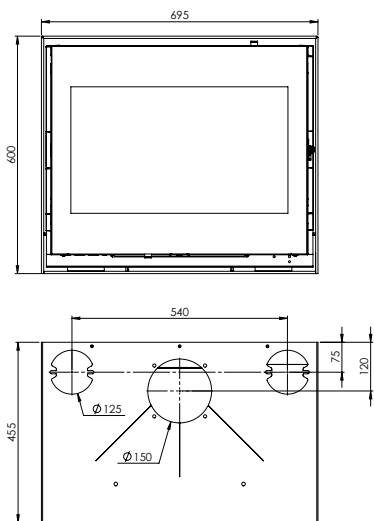
---

- 3-sided frame (frameborder 40mm)
- 4<sup>th</sup> frame side (frameborder 40mm)
- Coal basket for 2620SC/B and 2320SC/B: K2100





2620SC/B, FRAME 25MM



**2620SC/B:**

Efficiency: 80%

WxHxD: 695x600x455 mm

Multi-fuel insert with straight glass door.



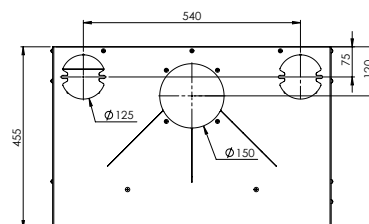
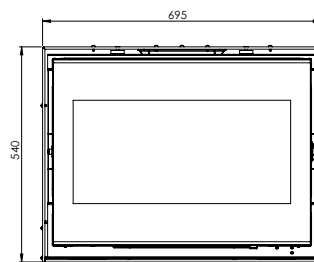
2320SC/B, 3-SIDED FRAME + 4TH SIDE OF FRAME

**2320SC/B:**

Efficiency: 78,3%

WxD: 695x540x455 mm

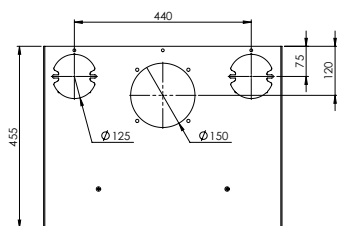
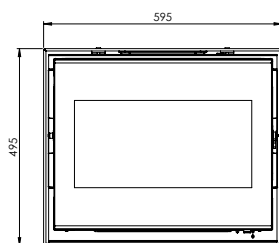
Multi-fuel insert with straight glass door.







2120SC/B, WITHOUT FRAME



**2120SC/B:**

Efficiency: 78,3%

WxHxD: 595x495x455 mm

Multi-fuel insert with straight glass door.

# 20-SERIES



INSERT



WOOD



COALS



LIGNITE

## ROBUST DESIGN

## INSERT FIREPLACES

Our robust 20 series is available in different versions.

- 2520S: flat glass door
- 2220S: flat glass door, smaller than 2520S
- 2020S: flat glass door: version with minimum measurements

### GENERAL SPECIFICATIONS

---

#### 2520S

- Length of logs: 50cm
- Nominal output: 10,0kW
- Output range: 3,3-12,0 kW
- Efficiency: 80%

#### 2220S

- Length of logs: 50cm
- Nominal output: 8,0kW
- Output range: 2,7-10,0 kW
- Efficiency: 78,3%

#### 2020S

- Length of logs: 40cm
- Nominal output: 7,0kW
- Output range: 2,3-9,0 kW
- Efficiency: 78,3%

### GENERAL SPECIFICATIONS

---

- Fuel: wood, coal and lignite briquettes
- Ø Chimney flue connection: 150mm
- Location connection: on top
- A simple conversion allows the door to open to the left

### OPTIONS

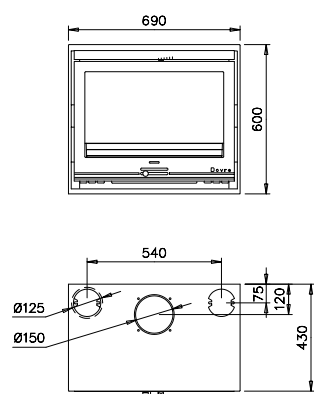
---

- 3-sided frame (frameborder 40mm)
- 4<sup>th</sup> frame side (frameborder 40mm)
- Coal basket K2100 (not for 2020)





2520S WITH 3-SIDED FRAME



**2520S:**

Efficiency: 80%

WxHxD: 690x600x430 mm

Multi-fuel insert with straight glass door.

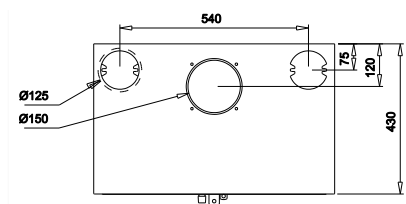
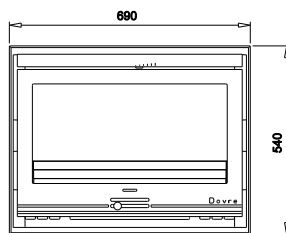


**2220S:**

Efficiency: 78,3%

WxHxD: 690x540x430 mm

Multi-fuel insert with straight glass door.



Polar explorer Dixie Dansercoer is clearly enjoying his 2020S fireplace.

*"After an intense, adventurous journey, it's wonderful to come back home and enjoy the comforting heat of a real wood fire!"*



2020S, 3-SIDED FRAME + 4TH FRAME SIDE

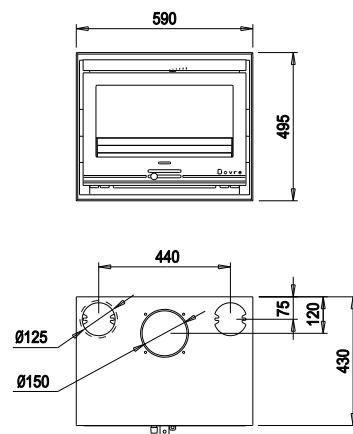


**2020S:**

Efficiency: 78,3%

WxHxD: 590x495x430 mm

Small multi-fuel insert with straight glass door.



# 10-SERIES



INSERT



WOOD



COAL



LIGNITE

## INSERT FIREPLACES

- Fitted with a double grate and ash box.
- Door opens to the right and can be easily converted to the left.
- 2 built-in steplessly adjustable fans included

### GENERAL SPECIFICATIONS: 2510S

- Fuel: wood, coal and lignite briquettes
- Nominal output: 10,0kW
- Ø Chimney flue connection: 150mm
- Location connection: on top
- Length of logs: 50cm

### GENERAL SPECIFICATIONS: 2510SD

- Fuel: wood and lignite briquettes
- Nominal output: 10,0kW
- Ø Chimney flue connection: 150mm
- Location connection: on top
- Length of logs: 50cm



2510S, 4-SIDED FRAME

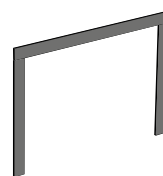
### GENERAL SPECIFICATIONS: 2210S

- Fuel: wood, coal and lignite briquettes
- Nominal output: 8,0kW
- Ø Chimney flue connection: 150mm
- Location connection: on top
- Length of logs: 50cm

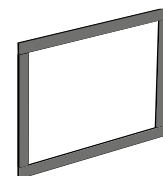
### OPTION

- 3-sided frame (frame border 60mm)
- 4<sup>th</sup> side of frame
- Coal basket (except for see-through inserts) K2100

### FRAMES 10-SERIES



THREE-SIDED



FOUR-SIDED

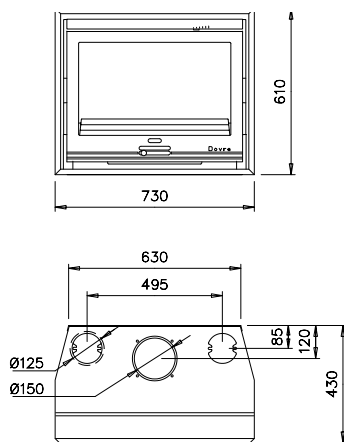


2510SD, 4-SIDED FRAME

**2510S:**

Efficiency: 80%  
WxHxD: 730x610x430 mm

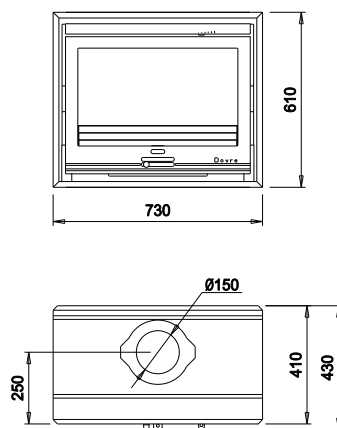
Multi-fuel insert with straight glass door.



**2510SD:**

Efficiency: 78,1%  
WxHxD: 730x610x410 mm

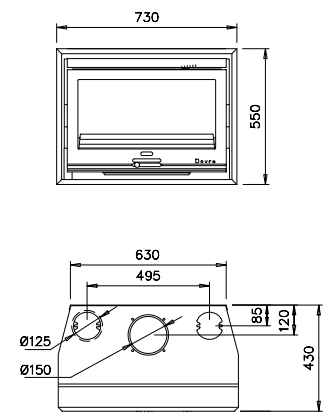
Multi-fuel insert, double-sided with straight glass door.



**2210S:**

Efficiency: 78,3%  
WxHxD: 730x550x430 mm

Multi-fuel insert with straight glass door.



2210S, 4-SIDED FRAME







## Stoves

Dovre offers you a broad range of modern, timeless or traditional stoves, made in premium grade cast iron using the most modern production techniques. Our stoves are available in a range of designs and make a stylish feature in any interior. Unlike a built-in or cassette fireplace, a stove is free standing in front of the chimney opening. That lets you enjoy more of the cosy radiant heat around it. Dovre's renewed heating technology guarantees environmentally responsible combustion and high efficiency.

# ROCK

- ROCK500 & ROCK350
- ROCK500TB & ROCK350TB
- ROCK500WB & ROCK350WB



## GENERAL SPECIFICATIONS

### ROCK500

- Length of logs: 50cm
- Nominal output: 9,0kW
- Output range: 3,0-11,0 kW
- Efficiency: 80%

### ROCK350

- Length of logs: 35cm
- Nominal output: 7,0kW
- Output range: 2,3-9,0 kW
- Efficiency: 80%

## GENERAL SPECIFICATIONS

- Fuel: wood
- Ø Chimney flue connection: 150mm
- Location connection: on top or rear
- Connection outside air



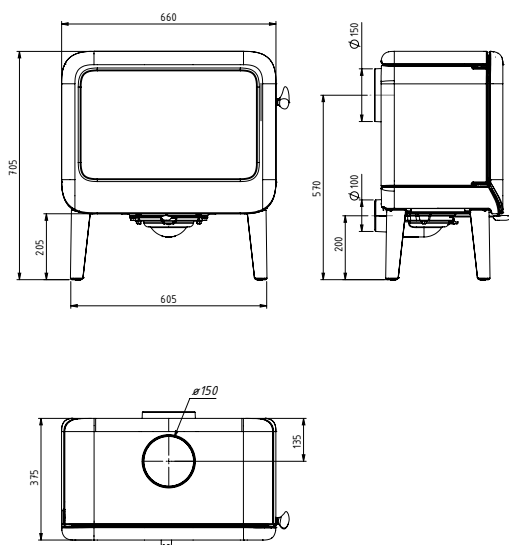
ROCK is not available in all countries, please inquire for your country.



ROCK350



ROCK500



new

**ROCK500:**

Efficiency: 80%  
WxHxD: 660x705x375 mm

new

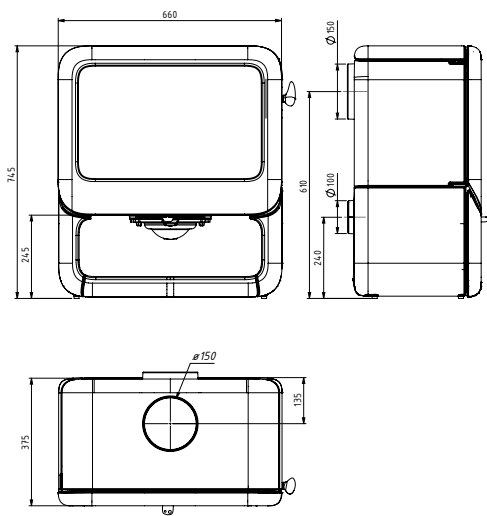
**ROCK350:**

Efficiency: 80%  
WxHxD: 510x705x375 mm

Contemporary, robust wood stove  
on 4 legs.



ROCK350TB



**new**

**ROCK500WB:**

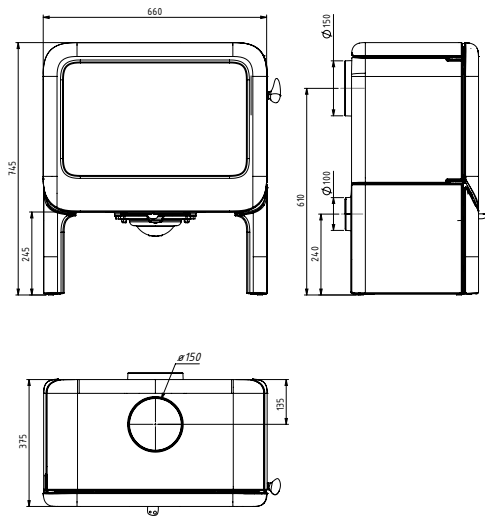
Efficiency: 80%  
WxHxD: 660x745x375 mm

**new**

**ROCK350WB:**

Efficiency: 80%  
WxHxD: 510x745x375 mm

Contemporary, robust wood stove on woodbox.



**new**

**ROCK500TB:**

Efficiency: 80%  
WxHxD: 660x745x375 mm

**new**

**ROCK350TB:**

Efficiency: 80%  
WxHxD: 510x745x375 mm

Contemporary, robust wood stove on tablet.



ROCK500WB

# BOLD

- BOLD300
- BOLD400



## GENERAL SPECIFICATIONS

- Fuel: wood
- Nominal output: 7,0 kW
- Output range: 2,3-9,0 kW
- Ø Chimney flue connection: 150mm
- Location connection: on top or rear
- Length of logs: 35cm
- Connection outside air
- Black lacquered or enamel finish (E8: creamy white, E12: white white, E14: light grey)
- Rounded, monolithic design with curved glass
- Choice between BOLD300 on legs and BOLD400 on box
- Innovative 'slam-lock' closing mechanism

## OPTION

- Enamelled chimney flue pipes (E8, E12, E14)
- Heat shield



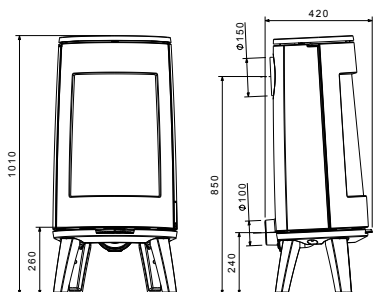
Air control with disk rotation system



BOLD300/E12



BOLD400/E14

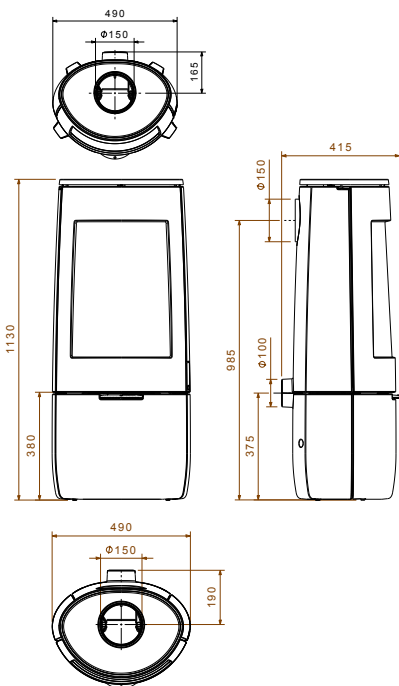


**BOLD300:**

Efficiency: 80%  
WxHxD: 490x1010x420 mm

Design wood stove with legs and rounded glass.

- E8
- E12
- E14



**BOLD400:**

Efficiency: 80%  
WxHxD: 490x1130x415 mm

Design wood stove with box and rounded glass.

- E8
- E12
- E14



# SENSE

- SENSE400 & SENSE403
- SENSE300 & SENSE 303
- SENSE200 & SENSE203
- SENSE100 & SENSE103 & SENSE113



## GENERAL SPECIFICATIONS

### SENSE113 / SENSE100 / SENSE103 / SENSE200 / SENSE203

- Length of logs: 33cm
- Nominal output: 7,0kW
- Output range: 2,3-9,0 kW
- Efficiency: 80%

### SENSE300 / SENSE303 / SENSE400 / SENSE403

- Length of logs: 40cm
- Nominal output: 9,0kW
- Output range: 3,0-11,0 kW
- Efficiency: 80%



## GENERAL SPECIFICATIONS

- Fuel: wood
- Ø Chimney flue connection: 150mm
- Location connection: on top or rear
- Connection outside air
- Black lacquered or enamel finish (E8: creamy white, E10: glossy black, E12: white white, E14: light grey)
- Compact, slim dimensions
- Comes in various sizes and you can also choose from 4 designs: on legs or box, with or without side glass.
- Versions with side glass: SENSE 113, SENSE 103, SENSE 203, SENSE 303, SENSE 403
- SENSE 113 only black lacquered cast iron or E12 white-white enamel
- Innovative 'slam-lock' closing mechanism

## OPTION

- Enamelled chimney flue pipes (E8, E10, E12, E14)
- Heat shield

## SMALL OR LARGE SENSE?

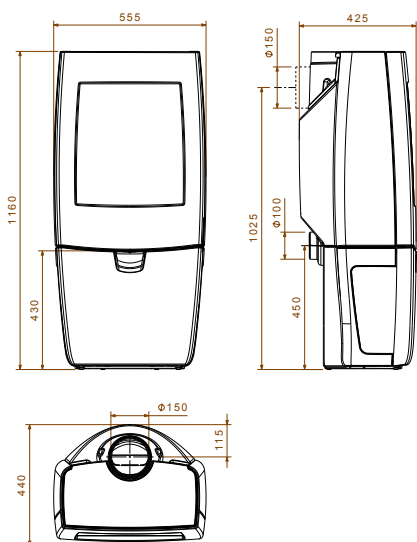
The Sense series comes in various sizes:

SENSE 113	SENSE 100 AND 103	SENSE 200 AND 203	SENSE 300 AND 303	SENSE 400 AND 403
				
W: 470 mm H: 720 mm D: 360 mm	W: 470 mm H: 900 mm D: 360 mm	W: 470 mm H: 980 mm D: 360 mm	W: 555 mm H: 1060 mm D: 440 mm	W: 555 mm H: 1160 mm D: 440 mm





SENSE403



**SENSE400:**

Efficiency: 80%  
WxHxD: 555x1160x440 mm

Design wood stove with box.

**SENSE403:**

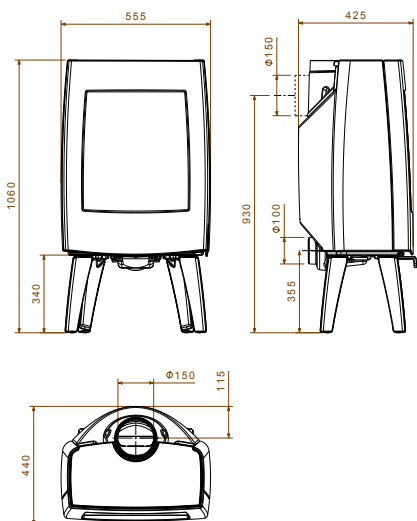
Efficiency: 80%  
WxHxD: 555x1160x440 mm

Design wood stove, 3-sided glass with box.





SENSE303



**SENSE300:**

Efficiency: 80%  
WxHxD: 555x1060x440 mm

Design wood stove with legs.

**SENSE303:**

Efficiency: 80%  
WxHxD: 555x1060x440 mm

Design wood stove, 3-sided glass with legs.

- E8
- E10
- E12
- E14



SENSE200/E8

**SENSE200:**

Efficiency: 80%  
WxHxD: 470x980x360 mm

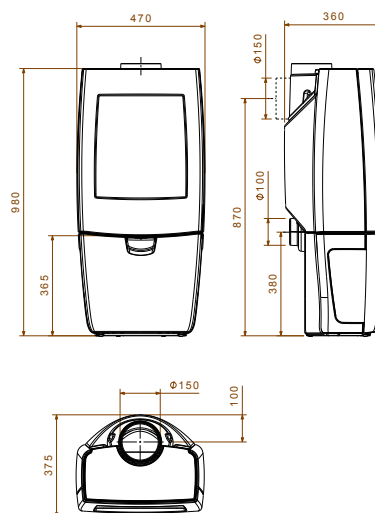
Compact design wood stove with box.

**SENSE203:**

Efficiency: 80%  
WxHxD: 470x980x360 mm

Compact design wood, 3-sided glass with box.

- E8
- E10
- E12
- E14





SENSE103/E12

**SENSE100:**

Efficiency: 80%  
WxHxD: 470x900x360 mm

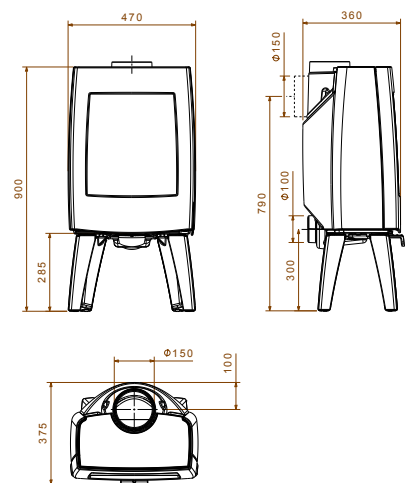
Compact design wood stove with legs.

**SENSE103:**

Efficiency: 80%  
WxHxD: 470x900x360 mm

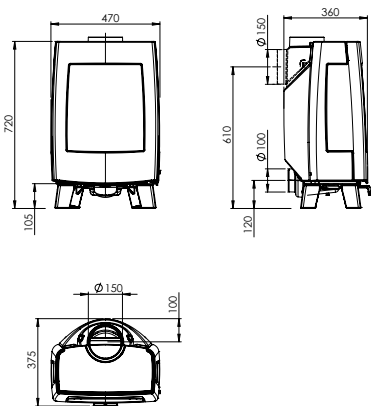
Compact design wood stove, 3-sided glass with legs.

- E8
- E10
- E12
- E14





SENSE113



**SENSE113:**

Efficiency: 80%  
WxHxD: 470x720x360 mm

Compact design wood stove,  
3-sided glass, with short legs.

E12



SENSE113/E12



VINTAGE  
**ALSO ON GAS**  
SEE PAGE 108

VINTAGE50

# VINTAGE

- VINTAGE50, 35 & 30
- VINTAGE50TB, 35TB & 30TB
- VINTAGE50WB, 35WB & 30WB
- VINTAGE35CR & 30CR



## GENERAL SPECIFICATIONS

### VINTAGE30

- Length of logs: 30cm
- Nominal output: 5,0kW
- Output range: 1,7-7,0 kW
- Efficiency: 80,4%

### VINTAGE35

- Length of logs: 35cm
- Nominal output: 7,0kW
- Output range: 2,3-9,0 kW
- Efficiency: 83%

### VINTAGE50

- Length of logs: 50cm
- Nominal output: 9,0kW
- Output range: 3,0-11,0 kW
- Efficiency: 84,2%

## GENERAL SPECIFICATIONS

- Fuel: wood
- Ø Chimney flue connection: 150mm
- Location connection: on top or rear
- Connection outside air
- A majestic view of the flames
- Exceptional heating performance
- Unique design
- Black lacquered or enamel finish (E8: creamy white, E9: olive green, E10 glossy black, E12 white-white, E14 light grey)
- 3 dimensions: 50-35-30
- Choice of variants: on legs, tablet, wood box or cradle

## OPTION

- Enamelled chimney flue pipes: (E8, E9, E10, E12, E14)



**VINTAGE50:**

Efficiency: 84,2%

WxHxD: 690x690x445 mm

**VINTAGE35:**

Efficiency: 83%

WxHxD: 505x685x445 mm

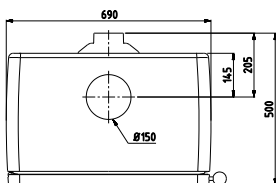
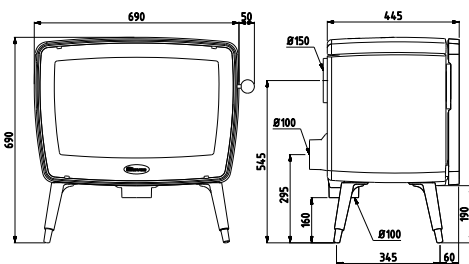
**VINTAGE30:**

Efficiency: 80,4%

WxHxD: 370x680x445 mm

Modern wood stove in retro design.

E8 E9 E10 E12 E14



*"Impressive  
heat output!"*

Dixie Dansercoer, Polar explorer



VINTAGE35/E10

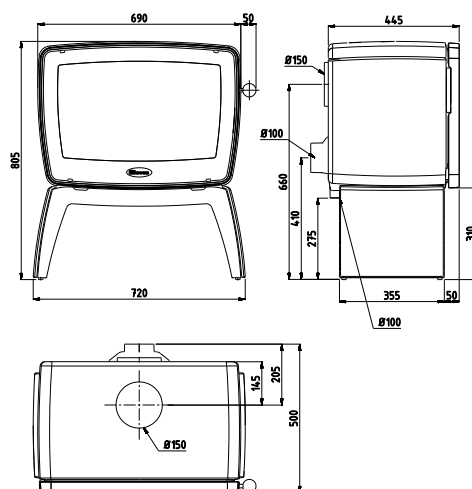


VINTAGE35TB/E14





VINTAGE30TB



**VINTAGE50TB:**

Efficiency: 84,2%  
WxHxD: 720x805x445 mm

**VINTAGE35TB:**

Efficiency: 83%  
WxHxD: 535x800x445 mm

**VINTAGE30TB:**

Efficiency: 80,4%  
WxHxD: 400x800x445 mm

Modern wood stove in retro design  
with tablet.

E8 E9 **E10** E12 E14



**VINTAGE50WB:**

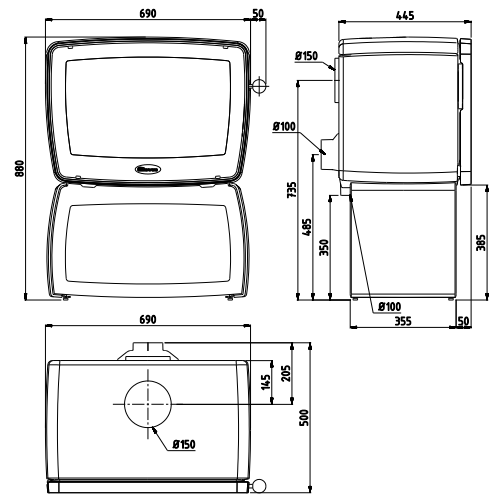
Efficiency: 84,2%  
WxHxD: 690x880x445 mm

**VINTAGE35WB:**

Efficiency: 83%  
WxHxD: 505x875x445 mm

**VINTAGE30WB:**

Efficiency: 80,4%  
WxHxD: 370x870x445 mm



Modern wood stove in retro design with woodbox.

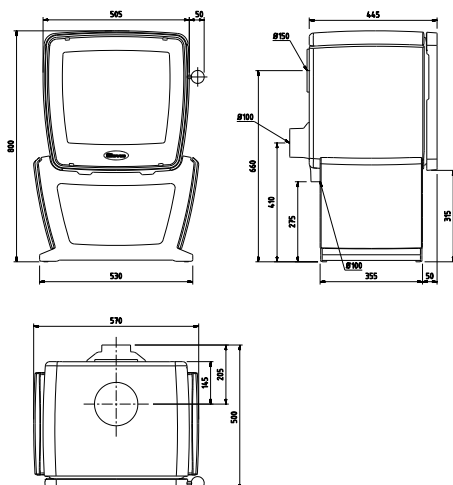


VINTAGE30CR/E12



VINTAGE  
**ALSO ON GAS**  
 SEE PAGE 108

VINTAGE50WB/E10



**VINTAGE35CR:**

Efficiency: 83%  
 WxHxD: 570x800x445 mm

**VINTAGE30CR:**

Efficiency: 80,4%  
 WxHxD: 435x800x445 mm

Modern wood stove in retro design  
 with cradle

- E8
- E9
- E10
- E12
- E14



BOW/WB

# BOW

- BOW
- BOW/P
- BOW/WB

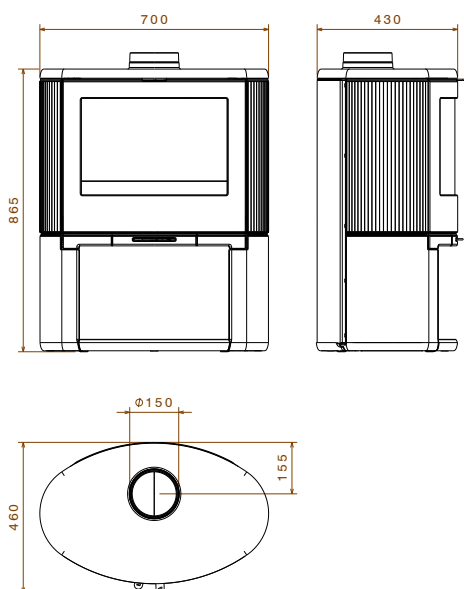


## GENERAL SPECIFICATIONS

- Fuel: wood
- Nominal output: 9,0 kW
- Output range: 3,0-11,0 kW
- Ø Chimney flue connection: 150mm
- Location connection: on top
- Length of logs: 50cm
- Oval design with curved glass door
- Panoramic view of the fire
- Choice of 3 variants: on legs, pedestal or wood box.



BOW/WB



### **BOW/WB:**

Efficiency: > 75%

WxHxD: 700x865x460 mm

Oval wood stove with rounded glass. On woodbox.



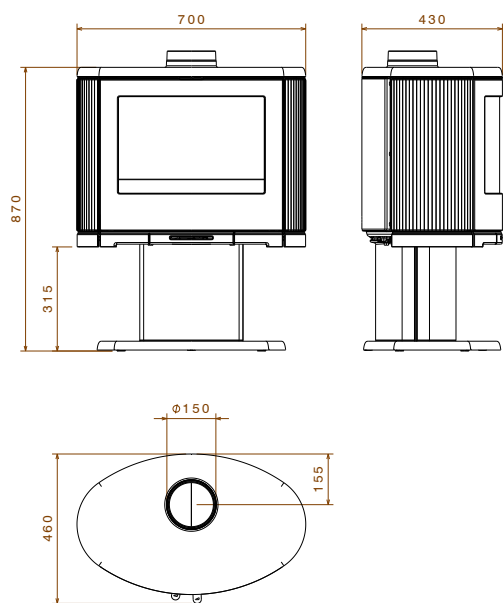
BOW

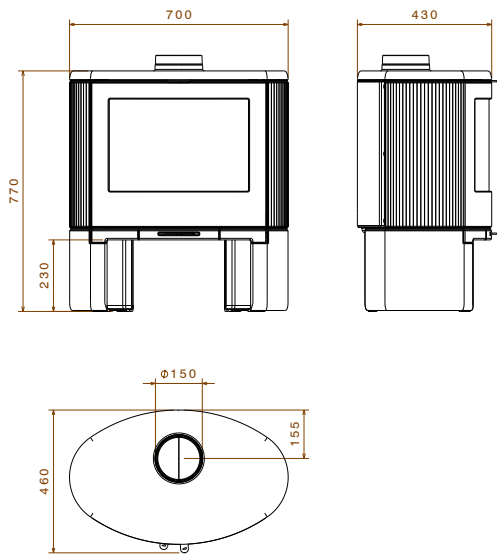
**new**

**BOW/P:**

Efficiency: > 75%  
WxHxD: 700x870x460 mm

Oval wood stove with rounded glass. On pedestal.





new

**BOW:**

Efficiency: > 75%

WxHxD: 700x770x460 mm

Oval wood stove with rounded glass.



BOW/P

# TAI

- TAI55WD & TAI55M
- TAI45WD & TAI45M
- TAI35WT



WOOD



COAL



LIGNITE

## GENERAL SPECIFICATIONS TAI55

### TAI55M

- Length of logs: 55cm
- Nominal output: 11,0kW
- Output range: 3,7-13,0 kW
- Efficiency: 75,3%

### TAI55WD

- Length of logs: 55cm
- Nominal output: 11,0kW
- Output range: 3,7-13,0 kW
- Efficiency: 80%

## GENERAL SPECIFICATIONS TAI45

### TAI45M

- Length of logs: 45cm
- Nominal output: 9,0kW
- Output range: 3,0-11,0 kW
- Efficiency: 75,3%

### TAI45WD

- Length of logs: 45cm
- Nominal output: 9,0kW
- Output range: 3,0-11,0 kW
- Efficiency: 80%

## GENERAL SPECIFICATIONS TAI35WT

- Length of logs: 35cm
- Nominal output: 6,5kW
- Output range: 3,3-8,5 kW
- Efficiency: 81,4%



## GENERAL SPECIFICATIONS TAI35, TAI45, TAI55

- Ø Chimney flue connection: 150mm
- Large removable coal funnel (up to 36 hours' supply) for multifuel stoves (M)
- Overview of all TAI-versions:
  - WD: wood stove with side door
  - WT: wood stove without side door
  - M: multi-fuel wood and coal stove with side door
- Interior finishing in cast iron and chamotte firebrick for M versions, interior finishing in cast iron and vermiculite for W versions

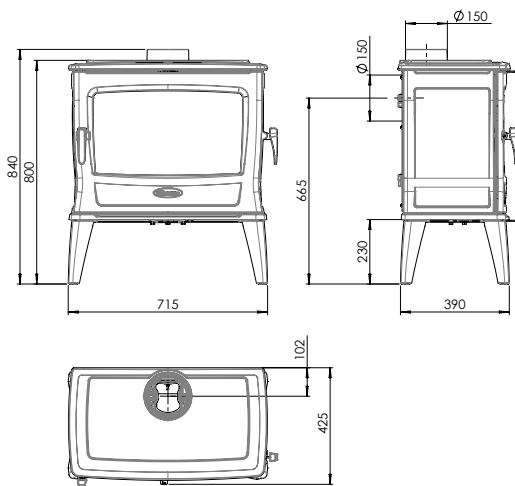
## OPTIONS

- Cooking plate for M-versions
- Ornamental cover for M versions
- Short legs (100mm lower) for all TAI-versions

An optional set of "short legs" is also available. Compatible with any TAI stove. Illustrated on facing page with model TAI55M.







**TAI55WD:**

Efficiency: 80%

WxHxD: 715x800x430 mm

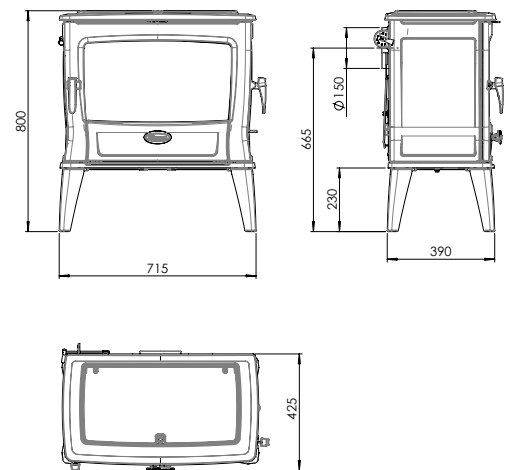
Ageless wood stove with side loading door.



TAI55WD



TAI55M WITH COOKING PLATE AND ORNAMENTAL COVER



**TAI55M:**

Efficiency: 75,3%

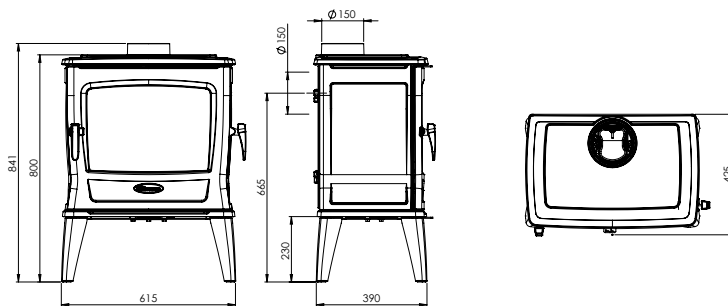
WxHxD: 715x800x465 mm

Ageless multi-fuel stove with funnel and side loading door.

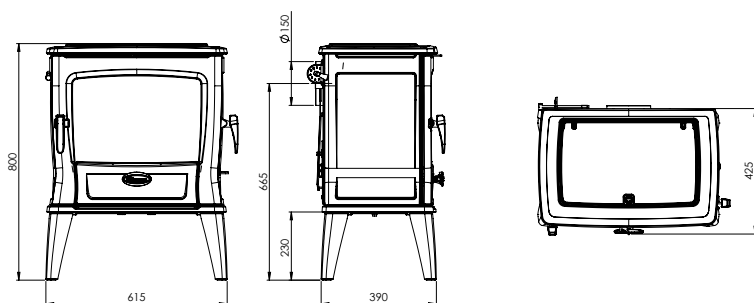
**TAI45WD:**

Efficiency: 80%  
WxHxD: 615x800x430 mm

Ageless wood stove with side loading door.



TAI45M



**TAI45M:**

Efficiency: 75,3%  
WxHxD: 615x800x465 mm

Ageless multi-fuel stove with funnel and side loading door.



TAI45WD

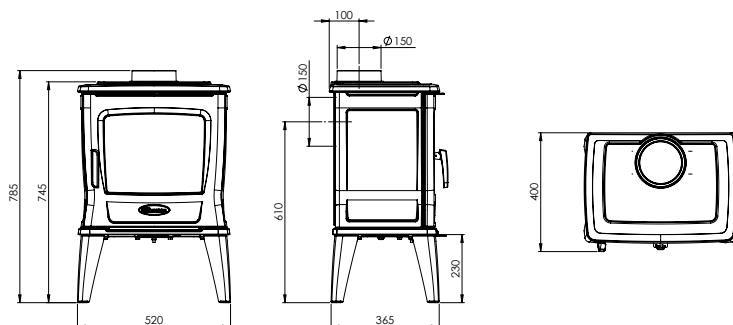


TAI35WT

**TAI35WT:**

Efficiency: 81,4%  
 WxHxD: 520x785x400 mm

Ageless wood stove.



# 760

- 760CB
- 760GM



WOOD



COAL



LIGNITE

## GENERAL SPECIFICATIONS

### 760CB

- Fuel: wood
- Length of logs: 60cm
- Nominal output: 11,0kW
- Output range: 3,7-13,0 kW
- Efficiency: 78%

### 760GM

- Fuel: wood, coal and lignite briquettes
- Length of logs: 40cm
- Nominal output: 11,0kW
- Output range: 3,7-13,0 kW
- Efficiency: 82,8%

## GENERAL SPECIFICATIONS

- Ø Chimney flue connection: 150mm
- Location connection: on top or rear
- Thermostat on GM
- Black lacquered or enamel finish (E6: majolica brown, E8: creamy white, E10: glossy black)
- Separate ash box door and side filling door

## OPTIONS

- Cooking plate (for GM: multi-fuel stove): KP760
- Coal funnel: BUNK760
- Enamelled chimney flue pipes: (E6, E8, E10)
- Connection for outside air: outside air kit: AIRKIT-K01
- Matching top plates (with or without filling lid)

Cooking plate for multi-fuel stove



Lid in top plate for multifuel version



760CB/E8



760GM/E10

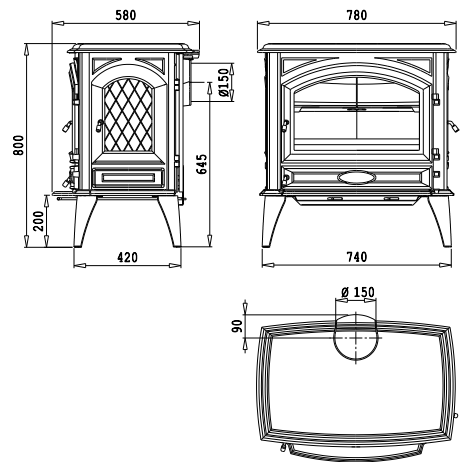


**760CB:**

Efficiency: 78%  
WxHxD: 780x800x580 mm

Rustic wood stove with side loading door.

E6 E8 E10

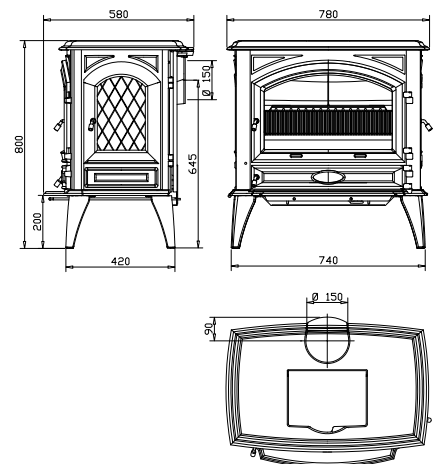


**760GM:**

Efficiency: 82,8%  
WxHxD: 780x800x580 mm

Rustic multi-fuel stove with side loading door.

E6 E8 E10



# 640

- 640CB
- 640GM



WOOD



COAL



LIGNITE

## GENERAL SPECIFICATIONS

### 640CB

- Fuel: wood
- Length of logs: 50cm
- Nominal output: 9,0kW
- Output range: 3,0-11,0 kW
- Efficiency: 75,2%

### 640GM

- Fuel: wood, coal and lignite briquettes
- Length of logs: 40cm
- Nominal output: 9,0kW
- Output range: 3,0-11,0 kW
- Efficiency: 77,5%

## GENERAL SPECIFICATIONS

- Ø Chimney flue connection: 150mm
- Location connection: on top or rear
- Thermostat on GM
- Black lacquered or enamel finish (E6: majolica brown, E8: creamy white, E10: glossy black)
- Separate ash box door and side filling door

## OPTION

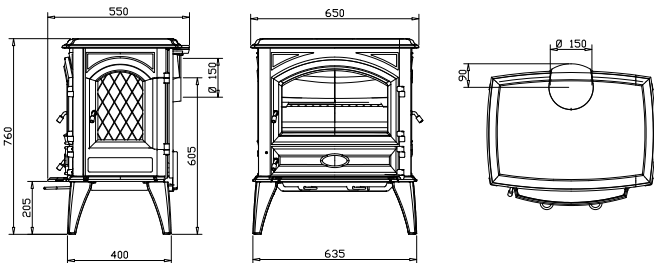
- Enamelled chimney flue pipes: (E6, E8, E10)
- Connection for outside air: outside air kit: AIRKIT-K01
- Coal funnel for GM: BUNK640



640GM WITH COAL FUNNEL



640CB/E6

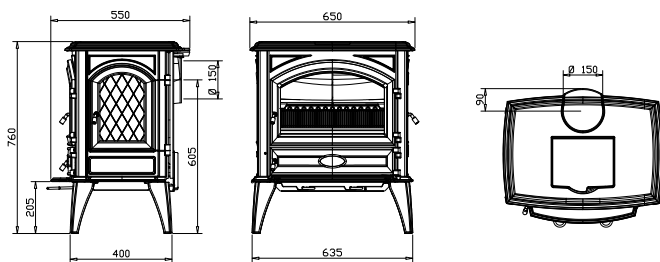


**640CB:**

Efficiency: 75,2%  
WxHxD: 650x760x550 mm

Rustic wood stove with side loading door. Smaller version of 760CB.

E6 E8 E10



**640GM:**

Efficiency: 77,5%  
WxHxD: 650x760x550 mm

Rustic multi-fuel stove with side loading door. Smaller version of 760GM.

E6 E8 E10



BRUT



# BRUT



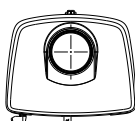
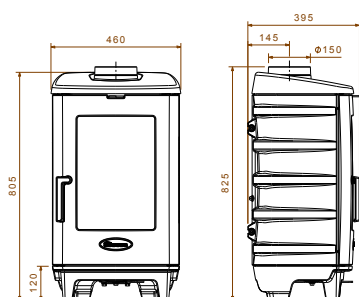
## GENERAL SPECIFICATIONS:

- Fuel: wood
- Nominal output: 6,5 kW
- Output range: 4,5-8,5 kW
- Ø Chimney flue connection: 150mm
- Location connection: on top
- Length of logs: 35cm
- Black lacquered or enamel finish (E12: white-white)



## OPTION

- Enamelled chimney flue pipes: (E12)
- Longer legs (black)



## BRUT:

Efficiency: 78%  
WxHxD: 460x825x395 mm

Robust stove with tall glass window.

E12

# ASTRO4

- ASTRO4CB/P & ASTRO4MF/P
- ASTRO4CB/WB & ASTRO4MF/WB



WOOD



COAL



LIGNITE

## GENERAL SPECIFICATIONS

- Nominal output: 8,0kW
- Output range: 2,5-10,0 kW
- Ø Chimney flue connection: 150mm
- Location connection: on top or rear
- Length of logs: 25cm
- Fuel ASTRO4CB: wood
- Fuel ASTRO4MF: wood, coal and lignite briquettes
- Connection for outside air through the pedestal or woodbox
- Large front glass and two tall side glasses

ASTRO4 is also available in a multi-fuel version (MF). This version is equipped with a riddling grate.

## OPTIONS

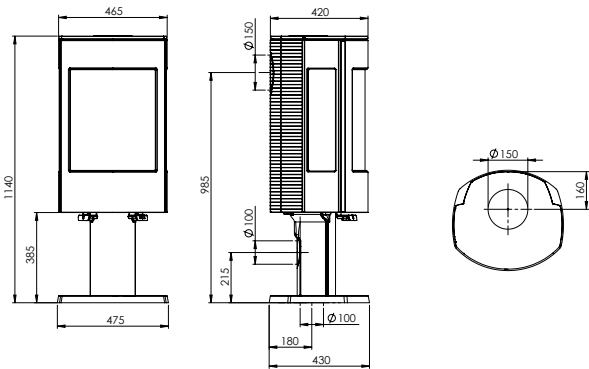
- ASTRO4 floor plate, in transparent glass or steel (W x D = 610 x 383 mm).
- Heatshield



ASTRO4MF/WB + OPTIONAL STEEL FLOOR PLATE



ASTRO4CB/P



**ASTRO4CB/P:**

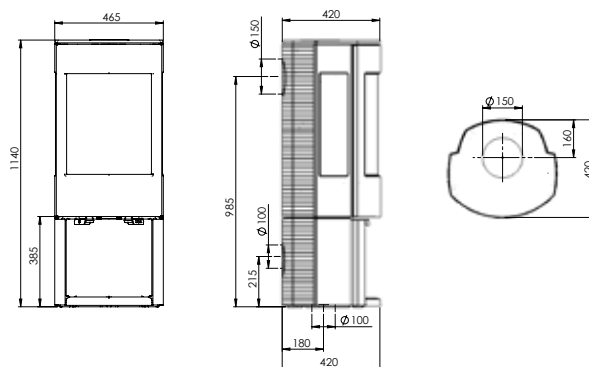
Efficiency: 76,4%  
WxHxD: 475x1140x430 mm

Wood stove with flat side glass and pedestal.

**ASTRO4MF/P:**

Efficiency: 76,7%  
WxHxD: 475x1140x430 mm

Multi-fuel stove with flat side glass and pedestal.



**ASTRO4CB/WB:**

Efficiency: 76,4%  
WxHxD: 475x1140x420 mm

Wood stove with flat side glass and woodbox.

**ASTRO4MF/WB:**

Efficiency: 76,7%  
WxHxD: 475x1140x420 mm

Multi-fuel stove with flat side glass and woodbox.

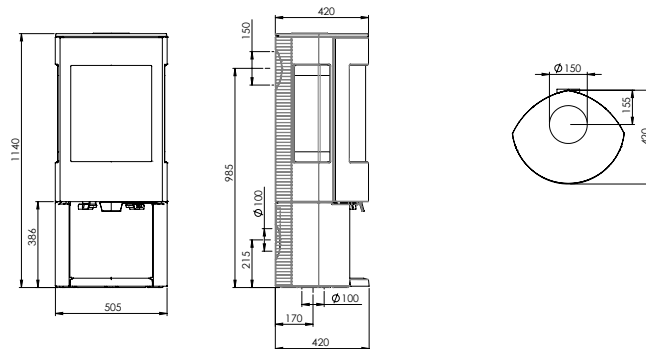


ASTRO3CB/WB + OPTIONAL GLASS FLOOR PLATE

**ASTRO3CB/WB:**

Efficiency: 76,4%  
WxHxD: 515x1140x420 mm

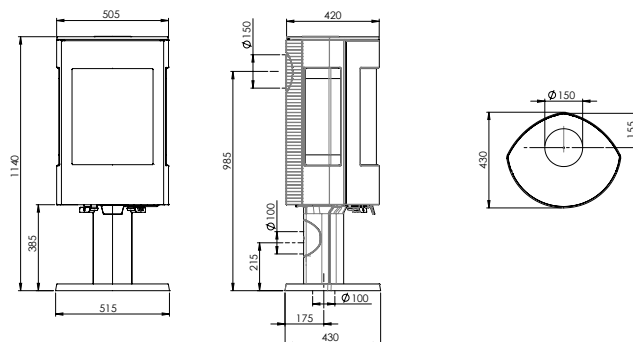
Wood stove with prismatic side glass and woodbox.



**ASTRO3CB/P:**

Efficiency: 76,4%  
WxHxD: 515x1140x420 mm

Wood stove with prismatic side glass and pedestal.



# ASTRO3

- ASTRO3CB/P
- ASTRO3CB/WB



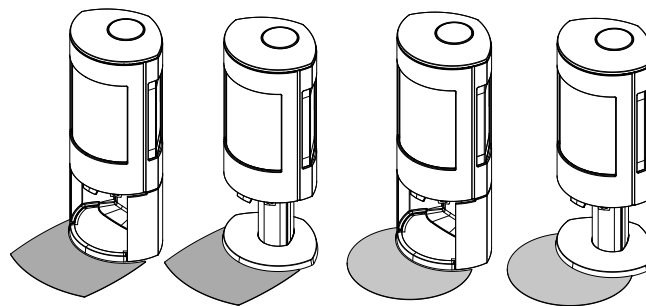
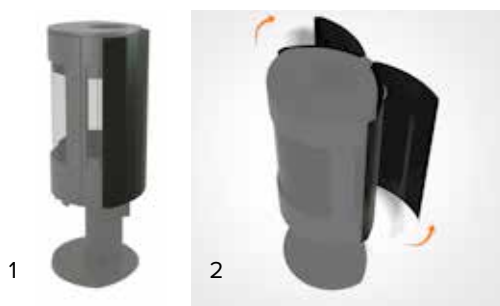
WOOD

## GENERAL SPECIFICATIONS

- Fuel: wood
- Nominal output: 8,0kW
- Output range: 2,5-10,0 kW
- Ø Chimney flue connection: 150mm
- Location connection: on top or rear
- Length of logs: 25cm
- Connection for outside air through the pedestal or woodbox
- Large front glass and 2 tall prismatic side glasses.

## OPTION

- ASTRO3 floor plates, in transparent glass or steel, round or angled.
  - FPS3.2: angled (steel): WxD = 514 x 457 mm
  - FPG3.2: angled (glass): WxD = 514 x 441 mm
  - FPS3.1: round (steel): WxD = 572 x 447 mm
  - FPG3.1: round (glass): WxD = 572 x 443 mm
- Heat shields (fixed or 'wings')



ASTRO3CB/P

# ASTRO2

- ASTRO2/L
- ASTRO2/WB
- ASTRO2/P



## GENERAL SPECIFICATIONS

- Fuel: wood
- Nominal output: 7,0kW
- Output range: 2,3-9,0 kW
- Ø Chimney flue connection: 150mm
- Location connection: on top or rear
- Length of logs: 30cm
- Connection for external air supply: at rear and via the pedestal
- Choice between versions: legs, woodbox, pedestal



ASTRO2/L



ASTRO2/WB

**ASTRO2/L:**

Efficiency: 79,4%  
WxHxD: 520x890x450 mm

Wood stove with legs.

**ASTRO2/WB:**

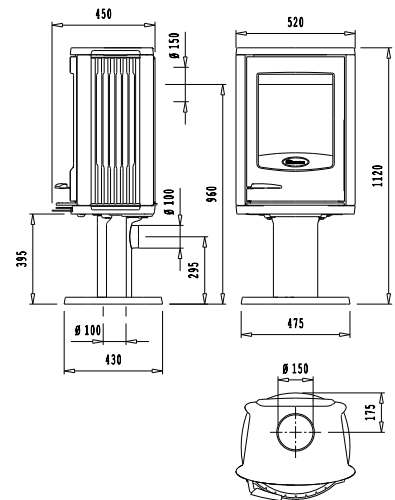
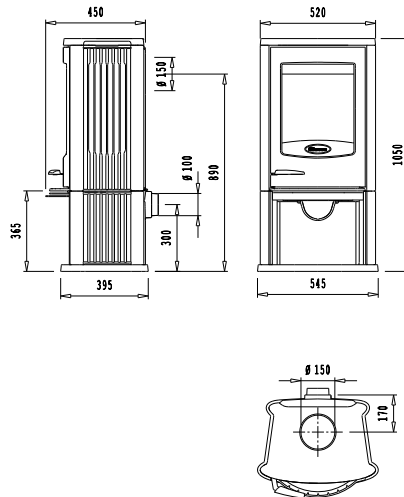
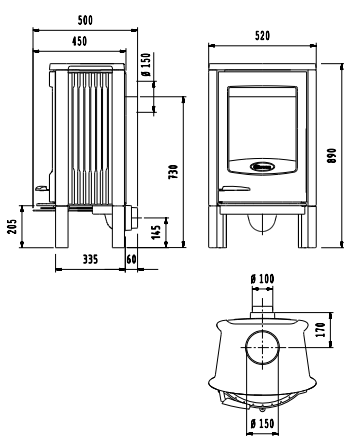
Efficiency: 79,4%  
WxHxD: 545x1050x450 mm

Wood stove with woodbox.

**ASTRO2/P:**

Efficiency: 79,4%  
WxHxD: 520x1120x450 mm

Wood stove with pedestal.



# 2575/3SEC



## GENERAL SPECIFICATIONS 2575/3SEC

- Fuel: wood
- Nominal output: 10,0kW
- Output range: 3,3-12,0 kW
- Ø Chimney flue connection: 150mm
- Location connection: on top
- Length of logs: 50cm
- Connection outside air
- Chimney connection: on top (adjustable in height)
- Free standing fireplace with steel plate shell
- Sheet steel floor plate included

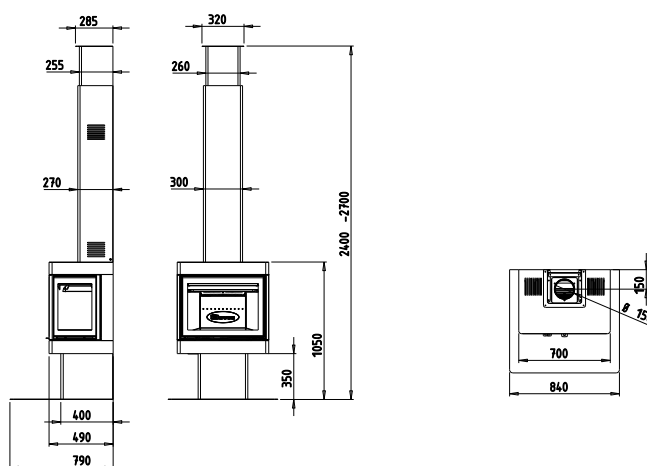


### 2575/3SEC:

Efficiency: 75,9%

WxHxD: 700x2400-2700x490 mm

Free standing wood fireplace, 3 sided, sheet metal surrounding.









*"Do today  
what you want to remember tomorrow."*

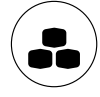
---

Picture and quote from the book "PURE POWER" by Dixie Dansercoer  
More info about Dixie Dansercoer and Polar Circles is available on page 126  
or [www.polarcircles.com](http://www.polarcircles.com)

# 750



WOOD



COAL



LIGNITE

## GENERAL SPECIFICATIONS 750GH

- Fuel: wood
- Nominal output: 9,0 kW
- Output range: 3,0-11,0 kW
- Ø Chimney flue connection: 150mm
- Location connection: on top or rear
- Length of logs: 50cm

## GENERAL SPECIFICATIONS 750GM

- Fuel: wood, coal and lignite briquettes
- Nominal output: 9,0 kW
- Output range: 3,0-11,0 kW
- Ø Chimney flue connection: 150mm
- Location connection: on top or rear
- Length of logs: 50cm



750GH

### 750GH:

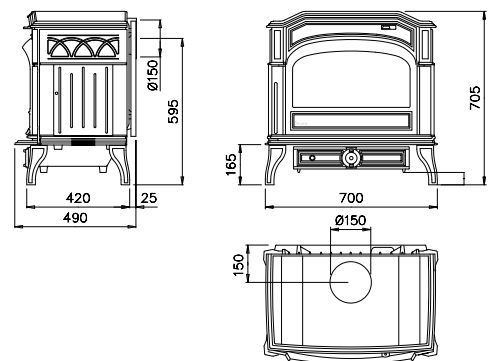
Efficiency: 75%  
WxHxD: 700x705x490 mm

Rustic wood stove with side loading door.

### 750GM:

Efficiency: 78,2%  
WxHxD: 700x705x490 mm

Rustic multi-fuel stove with side loading door.



# 250



WOOD



COAL



LIGNITE

## GENERAL SPECIFICATIONS

---

- Nominal output: 6,0 kW
- Output range: 2,0-8,0 kW
- Length of logs: 30cm
- Ø Chimney flue connection: 125mm
- Location connection: on top or rear
- Fuel 250CB & 250CBN: wood
- Fuel 250: wood and coal



250CB



250CBN

**250CB:**

Efficiency: 83%  
WxHxD: 455x645x405 mm

Small rustic wood stove.

**250CBN:**

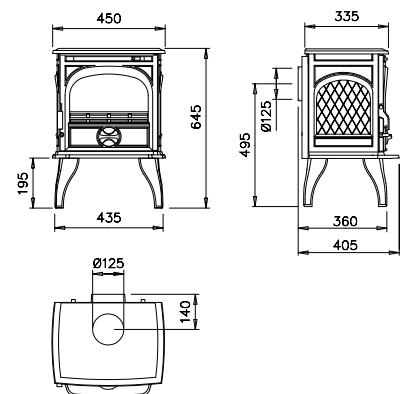
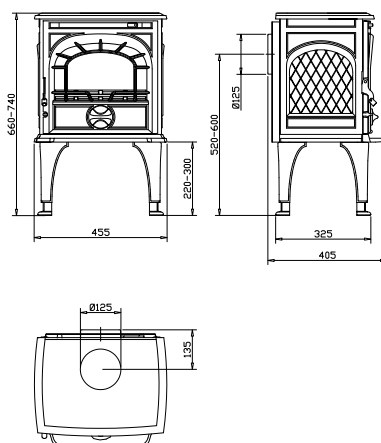
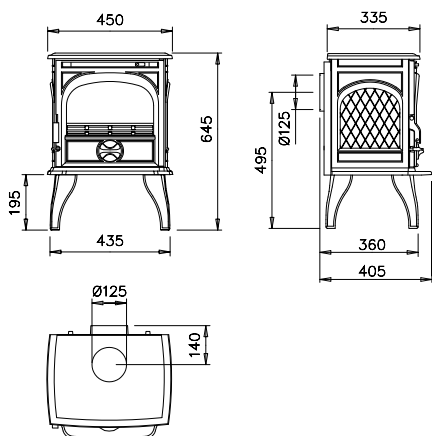
Efficiency: 83%  
WxHxD: 455x645x405 mm

Small rustic wood stove with Norwegian door (with bars).

**250:**

Efficiency: 81,7%  
WxHxD: 455x645x405 mm

Small rustic multi-fuel stove.



# 425



WOOD



COAL



LIGNITE

## GENERAL SPECIFICATIONS 425CB & 425GM

- Nominal output: 8,0kW
- Output range: 2,7-10,0 kW
- Ø Chimney flue connection: 150mm
- Location connection: on top or rear
- Length of logs: 40cm
- Fuel CB: wood
- Fuel GM: wood, coal or lignite briquettes
- Adjustable legs
- Black lacquered or enamel finish (E6: majolica brown, E8: creamy white, E10: glossy black)

## OPTION

- Enamelled chimney flue pipes: E6 (majolica brown), E8 (creamy white) or E10 (glossy black)



425GM

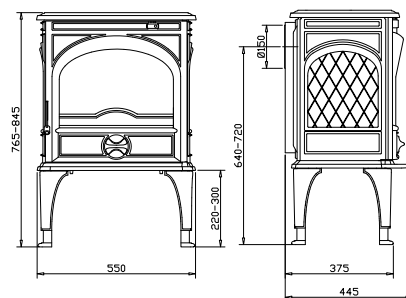


425CB/E6

**425CB:**

Efficiency: 78,8%  
WxHxD: 550x765/845x445 mm

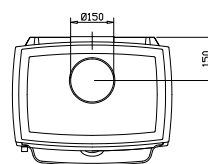
Rustic wood stove with adjustable legs.



**425GM:**

Efficiency: 80,1%  
WxHxD: 550x765/845x445 mm

Rustic multi-fuel stove with adjustable legs.



E6 E8 E10

# 310GX



WOOD



COAL



LIGNITE

## GENERAL SPECIFICATIONS 310GX

- Fuel: wood, coal and lignite briquettes
- Nominal output: 8,0kW
- Output range: 2,7-10,0 kW
- Length of logs: 60cm
- Location connection: on top or rear
- Efficiency: 78,5%
- Ø Chimney flue connection: 150mm (rear) or 125mm (top)
- Rustic design with decorative Norwegian pattern
- Front glass door and extra side filling door

## OPTIONS

- "400" and "200" top sections for improved heat recovery
- Cover with collar for top connection

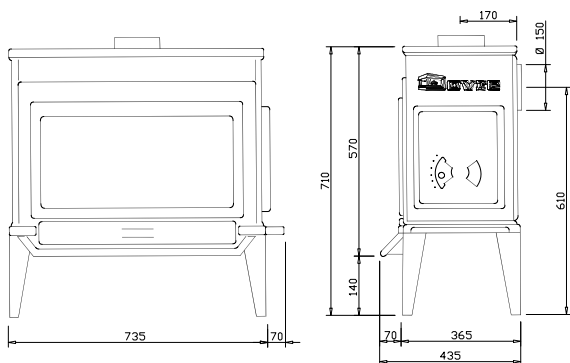


310GX with top sections  
"400" and "200"

### 310GX:

Efficiency: 78,5%  
WxHxD: 805x710x435 mm

Multi-fuel stove with side loading door.







WOOD

# 300CB

## GENERAL SPECIFICATIONS 300CB

- Fuel: wood
- Nominal output: 6,0kW
- Output range: 2,0-8,0 kW
- Length of logs: 60cm
- Ø Chimney flue connection: 125mm
- Location connection: on the side, on top or rear
- Efficiency: 80%
- Rustic design with decorative Norwegian pattern

## OPTIONS

- "400" and "200" top sections for improved heat recovery
- Cover with collar for top connection



300CB with top section "400"

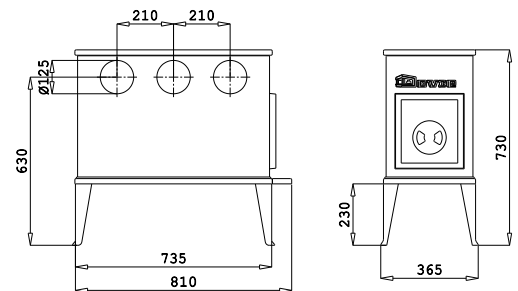


### 300CB:

Efficiency: 80%

WxHxD: 810x730x365 mm

Traditional wood stove with Norwegian figures.



# 100CBS

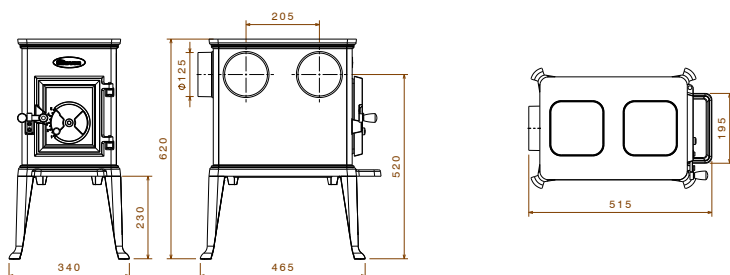


## GENERAL SPECIFICATIONS 100CBS

- Fuel: wood
- Nominal output: 5,0kW
- Ø Chimney flue connection: 125mm
- Location connection: on the side, on top or rear
- Length of logs: 35cm

## OPTIONS

- top section "200" for improved heat recovery
- Cover with collar for top connection



### 100CBS:

Efficiency: 76%  
WxHxD: 515x620x340 mm

Traditional wood stove with  
Norwegian figures.



100CBS WITH "200" TOP SECTION



WOOD

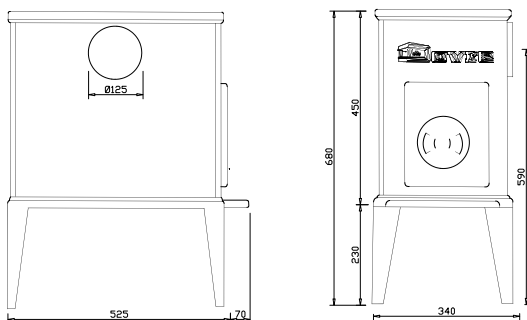
# 600

## GENERAL SPECIFICATIONS 600

- Fuel: wood
- Nominal output: 6,0kW
- Output range: 2,0-8,0 kW
- Length of logs: 40cm
- Ø Chimney flue connection: 125mm
- Location connection: on the side, on top or rear
- Rustic design with decorative Norwegian pattern

## OPTION

- Cover with collar for top connection



### 600:

Efficiency: 80%

WxHxD: 595x680x340 mm

Traditional wood stove with Norwegian figures.



# 40CBS

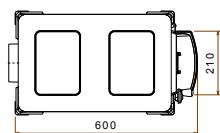
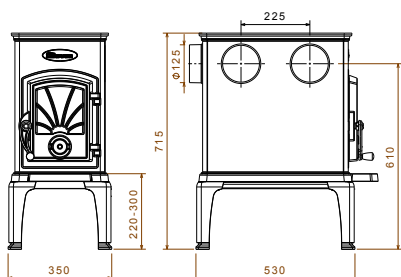


## GENERAL SPECIFICATIONS 40CBS

- Fuel: wood
- Nominal output: 6,0kW
- Ø Chimney flue connection: 125mm
- Location connection: on the side, on top or rear
- Length of logs: 40cm

## OPTION

- Cooking plate "KP"
- "5T" top section for improved heat recovery
- Cover with collar for top connection



### 40CBS:

Efficiency: 82,4%  
WxHxD: 600x715/775x350 mm

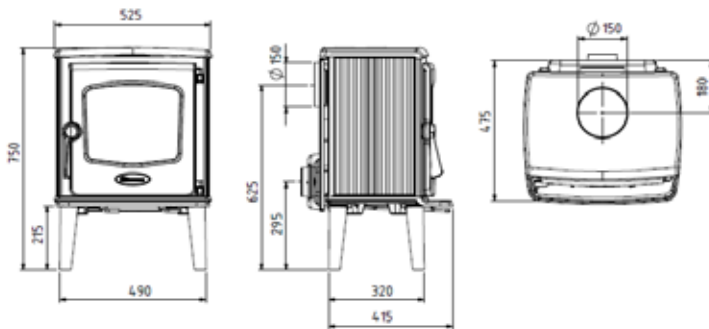
Traditional wood stove with  
Norwegian figures, adjustable legs.

# 525CB



## GENERAL SPECIFICATIONS

- Fuel: wood
- Nominal output: 8,0 kW
- Ø Chimney flue connection: 150mm
- Location connection: on top or rear
- Length of logs: 40cm
- Connection outside air
- Efficiency: 80%
- Timeless design
- Larger version than 325CB



### 525CB:

Efficiency: 80%

WxHxD: 525x750x475 mm

Ageless wood stove.



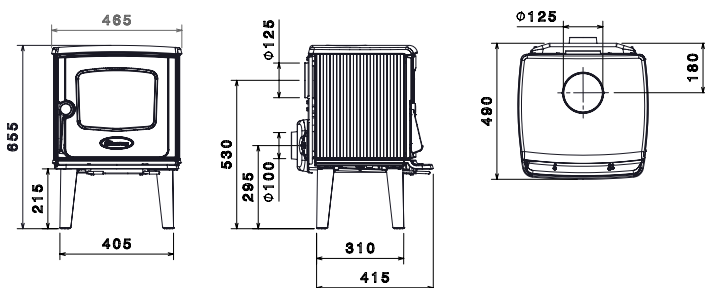


# 325CB



## GENERAL SPECIFICATIONS

- Fuel: wood
- Nominal output: 6,0 kW
- $\varnothing$  Chimney flue connection: 125mm
- Location connection: on top or rear
- Length of logs: 30cm
- Connection outside air
- Efficiency: 81%
- Timeless design
- Smaller version than 525CB



### 325CB:

Efficiency: 81%

WxHxD: 465x655x490 mm

Ageless wood stove.

# 360CB(3)

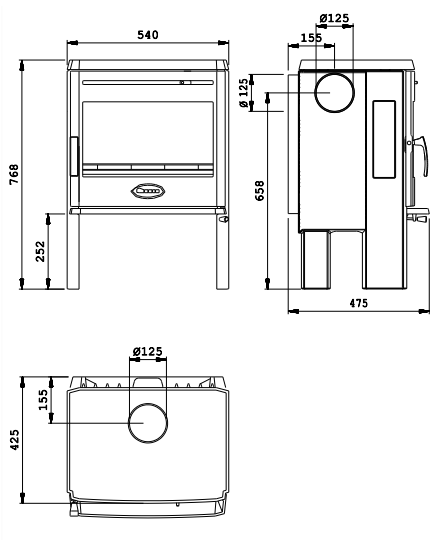


## GENERAL SPECIFICATIONS

- Fuel: wood
- Nominal output: 7,0 kW
- Ø Chimney flue connection: 125mm
- Location connection: on the side, on top or rear
- Length of logs: 40cm
- Efficiency: 75%



360CB3



### 360CB3:

Efficiency: 75%  
WxHxD: 540x768x475 mm

Low, compact wood stove, 3-sided glass.

### 360CB:

Efficiency: 75%  
WxHxD: 540x715-775x475 mm

Low, compact wood stove with adjustable legs (200-260mm).



# 350CB(3)



## GENERAL SPECIFICATIONS

- Fuel: wood
- Nominal output: 6,0 kW
- Ø Chimney flue connection: 125mm
- Location connection: on the side, on top or rear
- Length of logs: 30cm
- Efficiency: 77%



350CB

### 350CB3:

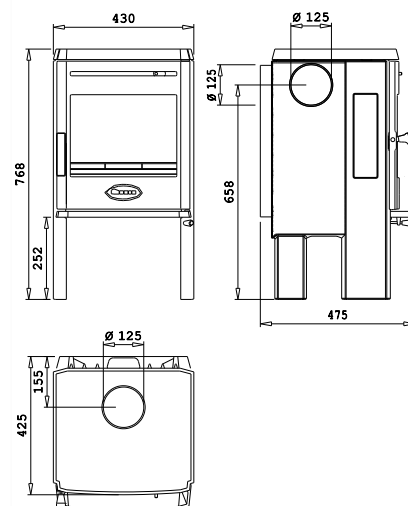
Efficiency: 77%  
WxHxD: 430x768x475 mm

Low, compact wood stove, 3-sided glass.

### 350CB:

Efficiency: 77%  
WxHxD: 430x715-775x475 mm

Low, compact wood stove with adjustable legs (200-260mm).







## Gas stoves

The comfort and convenience of a gas stove ... Do you want the cosy atmosphere of a real wood stove, but burning firewood is not an option? Then you'll love a DOVRE gas stove. Gas stoves provide the cosy charm of a wood fire, worry-free.

# VINTAGE



## GENERAL SPECIFICATIONS VINTAGE GAS

- Combustion system: closed
- Also available as propane version (P), see technical data at the back of this catalogue
- Remote control with electric ignition
- With legs as standard, also available on woodbox, tablet or cradle
- Black lacquered or enamel finish (E8: creamy white, E9: olive green, E10 glossy black, E12 white-white, E14 light grey)



## GENERAL SPECIFICATIONS VINT50GA

- Fuel: gas
- Type of gas appliance: C11/C31
- Nominal output: 7,5 kW
- Nominal output: 8,7 kW
- Ø Chimney flue connection: 100/150mm
- Location connection: on top or rear
- Gas category: I2E+
- Type of gas: G20/G25

## GENERAL SPECIFICATIONS VINT35GA

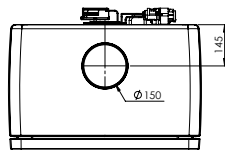
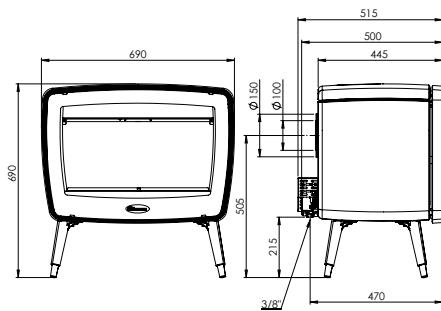
- Fuel: gas
- Type of gas appliance: C11/C31
- Nominal output: 6,0 kW
- Nominal output: 7 kW
- Ø Chimney flue connection: 100/150mm
- Location connection: on top or rear
- Gas category: I2E+
- Type of gas: G20/G25

ALSO ON  
PROPANE

VINTAGE35GA



VINTAGE50GA



**VINT50GA:**

Efficiency: 88%  
WxHxD: 690x690x445 mm

**VINT35GA:**

Efficiency: 86%  
WxHxD: 505x685x445 mm

Modern gas stove in retro design,  
closed combustion system, natural  
gas, also available for propane.

- E8
- E9
- E10
- E12
- E14

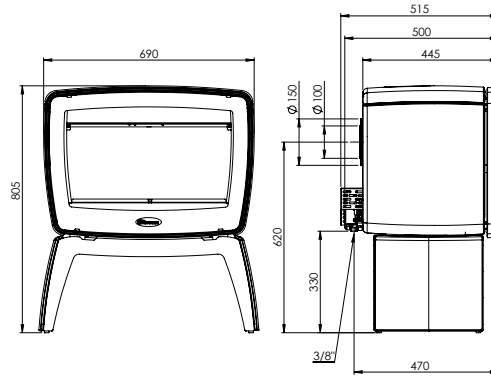


**VINT50GA/TB:**

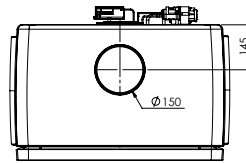
Efficiency: 88%  
WxHxD: 720x805x445 mm

**VINT35GA/TB:**

Efficiency: 86%  
WxHxD: 535x800x445 mm



Modern gas stove in retro design with tablet, closed combustion system, natural gas, also available for propane.



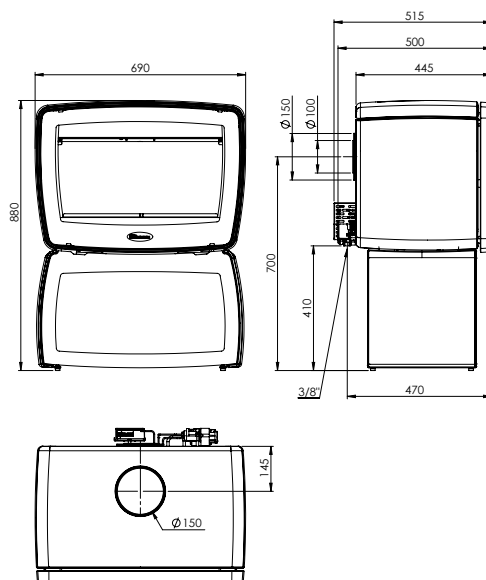
- E8
- E9
- E10
- E12
- E14



VINTAGE50GA/TB



VINTAGE35GA/TB



**VINT50GA/WB:**

Efficiency: 88%  
WxHxD: 690x880x445 mm

**VINT35GA/WB:**

Efficiency: 86%  
WxHxD: 505x875x445 mm

Modern gas stove in retro design with woodbox, closed combustion system, natural gas, also available for propane.

- E8
- E9
- E10
- E12
- E14

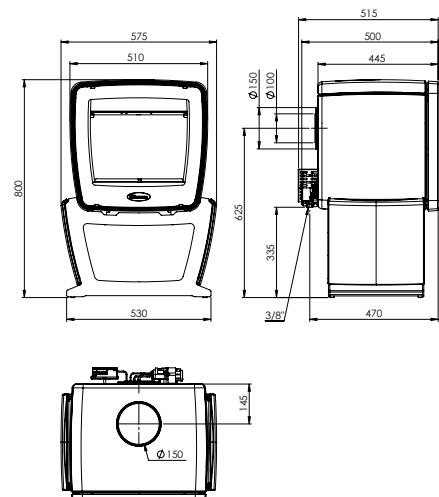


**VINT35GA/CR:**

Efficiency: 86%  
WxHxD: 575x800x445 mm

Modern gas stove in retro design with cradle, closed combustion system, natural gas, also available for propane.

- E8
- E9
- E10
- E12
- E14



# ASTRO4GA



## GENERAL SPECIFICATIONS

- Fuel: gas
- Type of gas appliance: B11BS
- Nominal output: 6,0 kW
- Nominal output: 7 kW
- Ø Chimney flue connection: 125-130mm
- Location connection: on top or rear
- Gas category: I2E+
- Type of gas: G20/G25
- Large front glass and two tall side glasses
- The data given here are for natural gas, open combustion system.
- Remote control
- Thermostat



ASTRO4GA0/WB



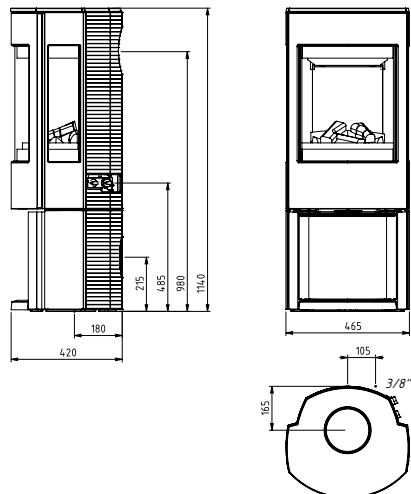
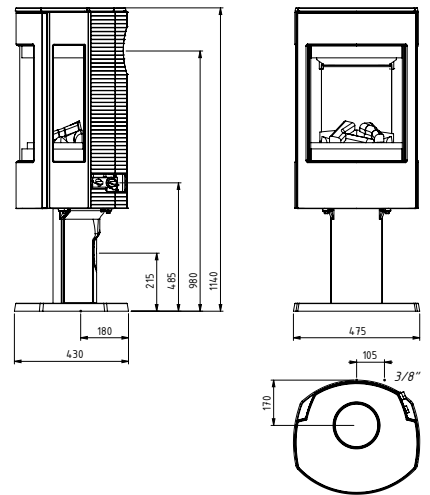


ASTRO4GAO/P

**ASTRO4GAO/P:**

Efficiency: 85,1%  
 WxHxD: 475x1140x430 mm

Gas stove with pedestal, open combustion system, natural gas.



**ASTRO4GAO/WB:**

Efficiency: 85,1%  
 WxHxD: 465x1140x420 mm

Gas stove with woodbox, open combustion system, natural gas.



# 750GA



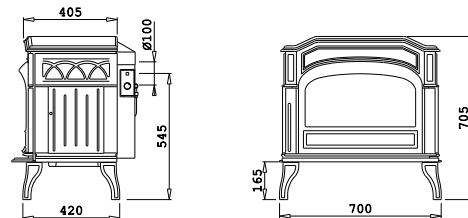
## GENERAL SPECIFICATIONS 750GA

- Fuel: gas
- Type of gas appliance: B11BS
- Nominal output: 9,0 kW
- Nominal output: 10,5 kW
- Ø Chimney flue connection: 100mm
- Location connection: rear
- Gas category: I2E+
- Type of gas: G20/G25
- Open combustion system
- Classic design
- The data given are for natural gas. Also available in a propane version (750GAP). For technical characteristics see at the back of this catalogue

### 750GA:

Efficiency: 85,4%  
WxHxD: 700x705x545 mm

Rustic gas stove, natural gas, also available for propane.



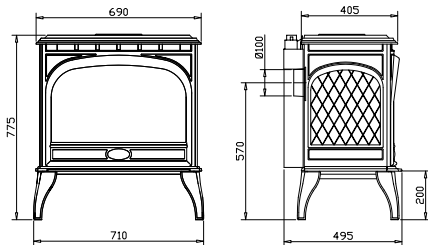


# 725GA

## 725GA:

Efficiency: 86,1%  
WxHxD: 710x775x495 mm

Rustic gas stove, natural gas, also available for propane.



## GENERAL SPECIFICATIONS 725GA

- Fuel: gas
- Type of gas appliance: B1BS
- Nominal output: 9,0 kW
- Nominal output: 10 kW
- Ø Chimney flue connection: 100mm
- Location connection: rear
- Gas category: I2E+
- Type of gas: G20/G25
- Open combustion system
- Classic design
- The data given are for natural gas. Also available in a propane version (725GAP). For technical characteristics see at the back of this catalogue

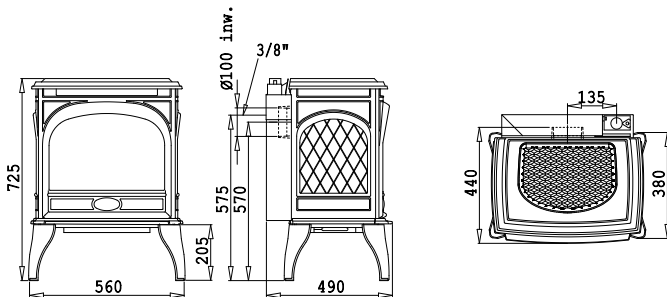


# 425GA



## GENERAL SPECIFICATIONS 425GA

- Fuel: gas
- Type of gas appliance: B11BS
- Nominal output: 6,0 kW
- Nominal output: 7 kW
- Ø Chimney flue connection: 100mm
- Location connection: rear
- Gas category: I2E+
- Type of gas: G20/G25
- Open combustion system
- Available black lacquered or enamel versions: E6 (majolica brown), E8 (creamy white) or E10 (glossy black)
- The data given are for natural gas. Also available in a propane version (425GAP). For technical characteristics see at the back of this catalogue



## OPTION

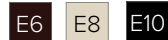
- Enamelled chimney flue pipes (E6, E8, E10)

### 425GA:

Efficiency: 87,4%

WxHxD: 560x725x450 mm

Rustic gas stove, natural gas, also available for propane.





*"Ask yourself questions.  
Never question yourself."*

---

Picture and quote from the book "PURE POWER" by Dixie Dansercoer  
More info about Dixie Dansercoer and Polar Circles is available on page 126 or  
[www.polarcircles.com](http://www.polarcircles.com)



# FOUNDRY

## CAST IRON THE WAY THAT ONLY DOVRE MAKES IT!

High quality cast iron is an ideal heat conductor. The rigidity and high temperature resistance of cast iron are the best guarantees of the durability of your appliance. That is the Dovre foundry's speciality.

Using the most modern manufacturing processes and ultrafine mould sand gives not only improved shape retention, but also improves the appearance of the surface structure.

## OWN FOUNDRY CHOOSES QUALITY

Since Dovre built its hypermodern foundry in Belgium, Dovre has also built up a strong position in the wholesale market.

The high degree of automation of its foundry makes Dovre an excellent partner for the production of large series of thin wall castings up to approx. 30 kg. Dovre castings are characterized by their surface consistency and precise measurement. Dovre guarantees high quality and has extensive production and assembly facilities. It has a well equipped sheet metal working installation and a hyper modern enamelling plant.

More info: [www.dovrefoundry.com](http://www.dovrefoundry.com)



# TIPS FOR CHOOSING A STOVE OR FIREPLACE.

## FUEL

Which fuel is right for you? A crucial question when buying a fireplace or stove. Wood, coal, lignite briquettes, gas, ...? Read more under "FUEL TYPES" on the next page.

## EFFICIENCY

The higher the efficiency, the more heat you get and the less fuel you need. The efficiency of Dovre woodburning stoves and fireplaces is optimised using secondary combustion, where a separate air inlet allows combustion gas to burn. That is good for efficiency, safety and the environment. It also results in more complete combustion resulting in much less ash being left behind.

## CAPACITY

Choose your appliance to suit the room you want to heat. You will get the best results if your appliance constantly burns at its nominal power. If your appliance is too large, it will often operate at a combustion level that is too low. The result will be incomplete combustion, which is not good for your chimney (increased risk of chimney fire because of soot deposits), nor for the environment (unburned flue gases in the atmosphere).

## FREESTANDING OR BUILT IN?

A FIREPLACE is built into the wall. That just leaves the front glass visible. There is a choice of a built-in fireplace or a cassette. Built-in fireplaces are fully built into the chimney and cannot be removed afterwards without major structural work. Cassette, inset or insert fireplaces are made in a compact shape with a flat top and are slid into an opening in the chimney. That means that the frame of the appliance covers the opening. These appliances can be simply removed from the chimney later the same way without structural work.

A STOVE is installed in front of the chimney breast and is freestanding (usually up against a wall). A stove can be considered as an additional piece of furniture in the living room. With a stove you enjoy still more of the radiant heat around the appliance and with a top connection the extra radiant heat from the pipe gives optimal heat recovery. The efficiency of stoves is about the same as that of built-in and inserts.





## FUEL TYPES

In our range you can choose different fuel types: wood, gas, coal or multi-fuel (= wood, coal and lignite briquettes).

### SOLID FUELS:

The solid fuels you can choose from are wood, coal and lignite briquettes. Wood and coal burn in totally different ways.

**COAL** relies on heat from embers. When buying coal you need to check the ash content. This must not be higher than 5%.

**WOOD** burns away completely and produces more combustion heat, which provides a more pleasing effect. Good firewood must be completely dry. The moisture level must not be higher than 15%, or the wood will burn at too low a temperature, causing a significant drop in efficiency and possibly releasing noxious gases into the environment. Also, if the temperature is too low, soot can form in the flue.

**LIGNITE BRIQUETTES** are simple to use, burn slowly and keep the stove hot for a long time.

### GAS:

A gas stove is very user-friendly: you can easily turn it on and off, or program it. The flame does not look the same as a wood fire. You can choose between open or closed combustion. With closed combustion fresh air is supplied via a double-skinned flue.

### TIP!

Good firewood must be dried for around three years. Wood dries on average one cm per year; splitting pieces as small as possible helps the drying process. Treated wood, painted and impregnated wood and wood scrap do not belong in a fireplace or stove and could emit toxic fumes when burned. You also run the risk that your insurance will refuse to compensate for damage attributable to a fire which uses treated wood.



WOOD



GAS



COAL



BRIQUETTES

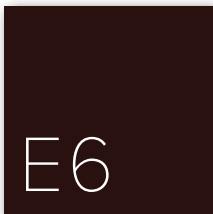
# ENAMEL

Dovre's freestanding stoves have a black-lacquered finish. When available in enamel it is explicitly stated. Your stove is not just a heat source, but also a decorative element that fits perfectly into your interior design. Enamelling uses a two layer system developed using the most recent and most modern technologies which guarantees a high quality finish. You can choose from a unique range of glossy colours to help integrate your stove perfectly into any interior. The enamelled surface is also easy to clean, keeping your stove looking new for years to come!

Enamel colours available are:

- E6: majolica brown
- E8: creamy white
- E9: olive green (for Vintage series only)
- E10: glossy black
- E12: white white (for Bold, Sense, Vintage and Brut series only)
- E14: light grey (for Bold, Sense and Vintage series only)

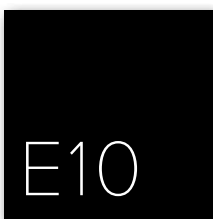
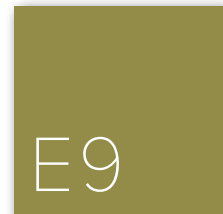
**MAJOLICA BROWN**



**CREAMY WHITE**



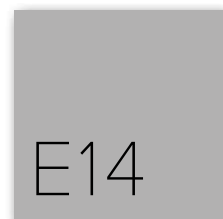
**OLIVE GREEN**



**GLOSSY BLACK**



**WHITE WHITE**



**LIGHT GREY**

## SECONDARY COMBUSTION TECHNOLOGY

### **FOR HIGH EFFICIENCY AND A CLEANER ENVIRONMENT**

The latest generation of Dovre stoves has a unique dual combustion system. Secondary air is taken into the stove from the rear. This is first heated and then piped into the combustion chamber. This causes secondary combustion which consumes the remaining combustible flue gas. Result: improved heat production and cleaner and environmentally friendly combustion.

## DIRECT FRESH AIR SUPPLY: “OUTSIDE AIR”

Did you know that your stove or fireplace take air straight from outside? That means that no oxygen or heated air is lost from the room. The best choice for houses with a ventilation system or well insulated low energy homes.

### **AIR FROM OUTSIDE OR FROM ANOTHER ROOM?**

You can choose where the fresh air is taken from: straight from outside, but also from an adjacent room, cellar or storage space.

### **CLEAN, SAFE COMBUSTION**

This outside air supply means that the air needed is constantly taken in from outside and the delicate balance of aeration and ventilation is undisturbed. After being heated, the outside air is going straight into the combustion chamber, resulting in clean, safe combustion.

### **HEALTHY INSIDE AIR AND WONDERFUL HEAT!**

An outside air supply means that clean and healthy internal air is guaranteed while you enjoy the blissful warmth!

### **DOVRE PRODUCTS WITH OUTSIDE AIR SUPPLY**

Much of our range is already supplied with a connection to feed air from outside (diameter 100 mm). These products are listed at the back of this catalogue under “technical specifications”.

## AIRWASH: FOR A GLASS THAT STAYS CLEAN FOR A LONGER TIME

Dovre’s Airwash system uses a spoiler to draw the air flow for secondary combustion across the glass. That keeps unburned fumes and condensation away from the glass, keeping the glass clean longer.

## 5 + 5 = 10 YEAR GUARANTEE

Dovre strives to deliver top quality. By combining workmanship, the use of high quality materials and parts and rigorous quality control, Dovre can offer a 5 year guarantee on the cast iron\*. The guarantee for cast iron and enamel finish is extended by another 5 years if you submit the online guarantee form on our website within three months after purchase.

(\* except for components which come in direct contact with the flames, such as glass, grates, inner panels, etc.



## YOUR DOVRE SPECIALIST MAKES THE DIFFERENCE

Dovre works with a network of professional importers and dealers who know their trade through and through!

If you buy your stove or fireplace from a Dovre specialist, you can be sure that you are in safe hands. Not only are you buying a stove of outstanding quality, you are also sure of getting expert advice and outstanding service. Moreover, your dealer stays informed of the latest news on energy and heating, offers you a comprehensive range and will guide you in your choice. Naturally you can also rely on fast and professional installation.

You can find a list of official Dovre importers at [www.dovrefire.com](http://www.dovrefire.com).

## 10 REASONS TO CHOOSE DOVRE

1. Quality and durability: solid cast iron
2. Tasteful design, for every living room
3. Wide range
4. Cost effective
5. In-house development and production
6. Extended guarantee (up to 10 years!)
7. Reliable
8. Skilled: 80 years' experience
9. Environmentally friendly
10. Authentic heat with real flames



## DIXIE DANSERCOER POLAR CIRCLES

Dixie Dansercoer is a polar explorer who has built himself an impressive reputation through his expeditions, which have made him a phenomenon in Belgium and an authority in his field worldwide. Like no other, Dixie knows how important it is to approach our scarce energy sources with a focus on durability and to preserve the ecological balance of our planet. Each one of his expeditions is a source of 'innovative thoughts and concepts' that are the result of a close collaboration with his partners.

At Dovre, we recognize ourselves in Dixie's passion and authenticity and believe we share the same principles. We also are constantly striving to find new ways to improve our products and to make them more ecological.

When Dixie returns home from the harsh, cold North, he can't wait to turn on his Dovre stove and enjoy the soothing warmth of an intense fire.

More info about Dixie Dansercoer and Polar Circles is available on [www.polarcircles.com](http://www.polarcircles.com) or [www.polarexperience.com](http://www.polarexperience.com).





"The cold North  
and the warmth of  
Dovre, the perfect  
match!"

Dixie Dansercoer, Polar explorer



# Technical specifications

Product name	Dimensions w x h x d (mm)	Weight (kg)	Wood	Lignite briquettes	Coal	Gas	Length of logs (cm)	Ø connection (mm)	Average temp. of flue gasses(°C)	Minimum pression (Pa)	Flue gas volume (g/s)	Side (S), top (T) and/or rear (R) connection	Ash box/tray
Fuel						Chimney / flue							

## VISTA



VISTA900	880x450x400	125	●	-	-	-	60	200	329	12	10,4	T	●
VISTA900C	920x1010-1050x415	145	●	-	-	-	60	200	329	12	10,4	T	●
VISTA800	780x450x400	115	●	-	-	-	60	200	258	12	9,2	T	●
VISTA800C	820x1010-1050x415	135	●	-	-	-	60	200	258	12	9,2	T	●
VISTA700	680x400x400	105	●	-	-	-	50	150	315	12	6,8	T	●
VISTA700C	720x1010-1050x415	125	●	-	-	-	50	150	315	12	6,8	T	●
VISTA600	580x400x400	95	●	-	-	-	40	150	287	12	7,7	T	●
VISTA600C	620x1010-1050x415	115	●	-	-	-	40	150	287	12	7,7	T	●

Options VISTA	Description
01.91910.000	Set Cast iron inner plates VISTA900 and VISTA900C
01.91911.000	Set Cast iron inner plates VISTA800 and VISTA800C
01.91912.000	Set Cast iron inner plates VISTA700 and VISTA700C
01.91913.000	Set Cast iron inner plates VISTA600 and VISTA600C

## ZEN



ZEN100	580x765x340	115	●	-	-	-	30	150	247	12	5,1	T	-
ZEN102	580x765x340	100	●	-	-	-	30	150	247	12	5,1	T	-

Options ZEN	Description
01.91660.000	Leg extention + wall anchor set
K.ZEN/D	Recessed frame
01.91672.000	Promat-mantel DIY kit

## 2175 & 2176



2175CBS3CP/B	670x1055-1115x500	180	●	-	-	-	50	150	345	12	10,1	T	-
2175CBS3/B	670x820x430	160	●	-	-	-	50	150	345	12	10,1	T/R/ 45°	-
2175CBSCP/B	670x1055-1115x500	175	●	-	-	-	50	150	345	12	10,1	T	-
2175CBS/B	670x820x430	150	●	-	-	-	50	150	345	12	10,1	T/R/ 45°	-
2176CBSCP/B	670x1055-1155x500	180	●	-	-	-	50	150	345	12	10,1	T	●
2176CBS/B	670x820x430	155	●	-	-	-	50	150	345	12	10,1	T/R/ 45°	●



# FIREPLACES

Nominal output (kW)	Minimal output (kW)	Maximal output (kW)	Capacity (m <sup>3</sup> )	Efficiency (%)	CO emissions % (13% O <sub>2</sub> )	Dust particles (mg/Nm <sup>3</sup> )	Max. number connections	Connection diameter (mm)	Fan	Fan output (m <sup>3</sup> /h)	Electrical connection (V)	Adjustable fan	Distance from flammable objects: front (mm)	Secondary combustion	Outside air connection	Product name
Based on fuel 'wood'							Convection air		Fan							

14,0	4,7	16,0	280	80	0,09	39	-	-	-	-	-	-	800	●	●	VISTA900
14,0	4,7	16,0	280	80	0,09	39	4	125	O	400	230	●	800	●	●	VISTA900C
12,0	4,0	14,0	240	82,5	0,09	28	-	-	-	-	-	-	800	●	●	VISTA800
12,0	4,0	14,0	240	82,5	0,09	28	4	125	O	400	230	●	800	●	●	VISTA800C
10,0	3,3	12,0	200	83	0,10	24	-	-	-	-	-	-	800	●	●	VISTA700
10,0	3,3	12,0	200	83	0,10	24	4	125	O	400	230	●	800	●	●	VISTA700C
8,0	2,7	10,0	160	80	0,08	13	-	-	-	-	-	-	800	●	●	VISTA600
8,0	2,7	10,0	160	80	0,08	13	4	125	O	400	230	●	800	●	●	VISTA600C

Options VISTA	Description
01.91724.000	Pedestal VISTA (only available for the 'C' versions)
01.91679.000	Adjustable legs set (only available for the 'C' versions)
VSET VISTA	Set of fans (only available for the 'C' versions)
01.91675.000	Heat shield VISTA600
01.91676.000	Heat shield VISTA700
01.91677.000	Heat shield VISTA800
01.91678.000	Heat shield VISTA900

4,8	1,9	5,9	95	80,1	0,09	29,3	-	-	-	-	-	-	800	●	●	ZEN100
4,8	1,9	5,9	95	80,1	0,09	29,3	-	-	-	-	-	-	800	●	●	ZEN102

10,0	3,3	12,0	200	75,9	0,06	19	4	125	O	400	230	●	800	●	●	2175CBS3CP/B
10,0	3,3	12,0	200	75,9	0,06	19	-	-	-	-	-	-	800	●	●	2175CBS3/B
10,0	3,3	12,0	200	75,9	0,06	19	4	125	O	400	230	●	800	●	●	2175CBSCP/B
10,0	3,3	12,0	200	75,9	0,06	19	-	-	-	-	-	-	800	●	●	2175CBS/B
10,0	3,3	12,0	200	75,9	0,06	19	4	125	O	400	230	●	800	●	●	2176CBSCP/B
10,0	3,3	12,0	200	75,9	0,06	19	-	-	-	-	-	-	800	●	●	2176CBS/B

# Technical specifications

Product name	Dimensions w x h x d (mm)	Weight (kg)	Wood	Lignite briquettes	Coal	Gas	Length of logs (cm)	Ø connection (mm)	Average temp. of flue gasses(°C)	Minimum pression (Pa)	Flue gas volume (g/s)	Side (S), top (T) and/or rear (R) connection	Ash box/tray
			Fuel					Chimney / flue					

Options 2175	Description
K75.21/4/B	Frame 4 sided 2175CBS
K75.21/MINI	Frame minimalistic
K75.21/PLANO/B	Frame Plano 2175CBS
OMB.2175CB/B	Conversion kit 2175CBS3 (cast iron plate + 2 vermiculite stones)
03.77089.021	Log retainer
GS75L/B	Conversion kit to change direction of door 2175CB
VSET2180	Fan Set for 2180CB-2170CB

## 2180



2180CBSCP/B	800x1055-1155x525	215	●	-	-	-	60	200	326	12	13,6	T	●
2180CBS/B	800x805x473	182	●	-	-	-	60	200	326	12	13,6	T/R/ 45°	●
2180CBCCP/B	800x1055-1155x525	210	●	-	-	-	60	200	326	12	13,6	T	●
2180CBC/B	800x805x473	180	●	-	-	-	60	200	326	12	13,6	T	●
2180CBGDCP/B	900x1517-1577x550	260	●	-	-	-	60	200	326	12	13,6	T	●
2180CBGD/B	900x1304x500	230	●	-	-	-	60	200	326	12	13,6	T/R/ 45°	●

Options 2180	Description
K2180CB/3/B	Frame 3 sided 2180CBS or 2180CBC
K2180CB/OR/B	Frame bottom part 2180CBS or 2180CBC
K2180CB/MINI	Frame minimalistic 2180CBS or 2180CBC
K2180GD/4/B	Frame 4 sided 2180CBGD
K2180GD/MINI	Frame minimalistic 2180CBGD
K2180GD/4D/B	Frame 4 sided (deep) 2180CBGD
K2180PLANO/B	Frame plano 2180CBGD
VSET2180	Fan set for 2180CB-2170CB

## 2100



2100S	670x690x410	130	●	●	●	-	50	200	335	12	8,1	T	●
2100SD	670x690x410	120	●	●	●	-	50	200	335	12	8,1	T	●

Options 2100	Description
K21/3	3 sided frame
K00/OR	Lower edge for 4sided frame
K2100	Coal basket

# FIREPLACES

Nominal output (kW)	Minimal output (kW)	Maximal output (kW)	Capacity (m <sup>3</sup> )	Efficiency (%)	CO emissions % (13% O <sub>2</sub> )	Dust particles (mg/Nm <sup>3</sup> )	Max. number connections	Connection diameter (mm)	Fan	Fan output (m <sup>3</sup> /h)	Electrical connection (V)	Adjustable fan	Distance from flammable objects: front (mm)	Secondary combustion	Outside air connection	Product name
Based on fuel 'wood'							Convection air	Fan								

Options 2176	Description
K76CBS/MINI	Frame minimalistic 2176CBS
K76CBS/4/B	Frame 4 sided 2176CBS
K76CBSPLANOB	Frame plano 2176CBS
03.77089.021	Log retainer
GS76L/B	Conversion kit to change direction of door 2176CB
VSET2180	Fan set for 2180CB-2170CB

15,0	5,0	17,0	300	76	0,1	20	10	125	O	400	230	●	800	●	●	2180CBSCP/B
15,0	5,0	17,0	300	76	0,1	20	-	-	-	-	-	-	800	●	●	2180CBS/B
15,0	5,0	17,0	300	76	0,1	20	10	125	O	400	230	●	800	●	●	2180CBCCP/B
15,0	5,0	17,0	300	76	0,1	20	-	-	-	-	-	-	800	●	●	2180CBC/B
15,0	5,0	17,0	300	76	0,1	20	10	125	O	400	230	●	800	●	●	2180CBGDPCP/B
15,0	5,0	17,0	300	76	0,1	20	-	-	-	-	-	-	800	●	●	2180CBGD/B

10,0	3,3	12,0	200	78	0,1	31	-	-	-	-	-	-	800	-	-	2100S
10,0	3,3	12,0	200	78	0,1	31	-	-	-	-	-	-	800	-	-	2100SD

# Technical specifications

Product name	Dimensions w x h x d (mm)	Weight (kg)	Wood	Lignite briquettes	Coal	Gas	Length of logs (cm)	Ø connection (mm)	Average temp. of flue gasses(°C)	Minimum pression (Pa)	Flue gas volume (g/s)	Side (S), top (T) and/or rear (R) connection	Ash box/tray
			Fuel						Chimney / flue				

2400



<b>2400GL</b>	635x1055-1215x535	150	●	-	-	-	40	200	423	12	8,8	T/R/ 10°	○
<b>2400BS</b>	635x1055-1215x535	155	●	-	-	-	40	200	423	12	8,8	T/R/ 10°	○
<b>2400GLA</b>	635x1055-1215x535	155	●	-	-	-	40	200	423	12	8,8	T/R/ 10°	●
<b>2400BSA</b>	635x1055-1215x535	160	●	-	-	-	40	200	423	12	8,8	T/R/ 10°	●

# FIREPLACES

Nominal output (kW)	Minimal output (kW)	Maximal output (kW)	Capacity (m <sup>3</sup> )	Efficiency (%)	CO emissions % (13% O <sub>2</sub> )	Dust particles (mg/Nm <sup>3</sup> )	Max. number connections	Connection diameter (mm)	Fan	Fan output (m <sup>3</sup> /h)	Electrical connection (V)	Adjustable fan	Distance from flammable objects: front (mm)	Secondary combustion	Outside air connection	Product name
Based on fuel 'wood'							Convection air		Fan							
9,0	3,0	11,0	180	72	0,1	32	-	-	-	-	-	-	800	●	-	2400GL
9,0	3,0	11,0	180	72	0,1	32	-	-	-	-	-	-	800	●	-	2400BS
9,0	3,0	11,0	180	72	0,1	32	-	-	-	-	-	-	800	●	-	2400GLA
9,0	3,0	11,0	180	72	0,1	32	-	-	-	-	-	-	800	●	-	2400BSA

# Technical specifications

Product name	Dimensions w x h x d (mm)	Weight (kg)	Wood	Lignite briquettes	Coal	Gas	Length of logs (cm)	Ø connection (mm)	Average temp. of flue gasses(°C)	Minimum pression (Pa)	Flue gas volume (g/s)	Side (S), top (T) and/or rear (R) connection	Ash box/tray
			Fuel					Chimney / flue					

## VISTA



VISTA800I	790x590x440	105	●	-	-	-	60	180	-	12	-	T/R/ 45°	●
VISTA700I	690x490x440	90	●	-	-	-	50	150	-	12	-	T/R/ 45°	●

## PHOENIX



PHOENIXI	725x622x463	90	●	-	-	-	30	150	330	12	8,7	T	-
PHOENIXII	725x670x474	95	●	-	-	-	30	150	330	12	8,7	T	-

Options PHOENIX	Description
02.52267.000	Heat shield and legs, ideal for new construction
02.52272.000	Grills and legs, ideal for renovation

## 2576



2576CBSC/B	670x600x500	160	●	-	-	-	50	150	345	12	10,1	T	●
------------	-------------	-----	---	---	---	---	----	-----	-----	----	------	---	---

Options 2576	Description
K76.25/MINI	Frame minimalistic 2576CBSC
K76.25/4-2/B	Frame 4 sided 2576CBSC 20mm
K76.25/4-4/B	Frame 4 sided 2576CBSC 40mm
K76.25PLANOB	Frame plano 2576CBSC
03.77089.021	Log retainer
GS76L/B	Conversion kit to change direction of door

## 20-SERIES MODERN



2620SC/B	695x600x455	160	●	●	●	-	50	150	320	14	9,2	T	●
2320SC/B	695x540x455	175	●	●	●	-	50	150	340	14	7,7	T	●
2120SC/B	595x495x455	130	●	●	●	-	40	150	340	14	7,7	T	●

Options 20-serie	Description
IK20.25/3/B	Frame 3 sided 40 mm black for 2620SC/B and 2520S/B
IK20/OR/B	Frame 4th side (bottom part) 40mm black for 2620SC/B and 2520S/B
IK20.23/3/B	Frame 3 sided 40mm black for 2320SC/B and 2220S/B
IK20/OR/B	Frame 4th side (bottom part) 40mm black for 2320SC/B and 2220S/B

# INSERTS

Nominal output (kW)	Minimal output (kW)	Maximal output (kW)	Capacity (m <sup>3</sup> )	Efficiency (%)	CO emissions % (13% O <sub>2</sub> )	Dust particles (mg/Nm <sup>3</sup> )	Max. number connections	Connection diameter (mm)	Fan	Fan output (m <sup>3</sup> /h)	Electrical connection (V)	Adjustable fan	Distance from flammable objects: front (mm)	Secondary combustion	Outside air connection	Product name
Based on fuel 'wood'							Convection air	Fan								

12,0	4,0	14,0	240	> 75	< 0.10	< 40	2	125	●	250	230	●	800	●	●	VISTA800I
10,0	3,3	12,0	200	> 75	< 0.10	< 40	2	125	●	250	230	●	800	●	●	VISTA700I

9,0	3,0	11,0	180	79,3	0,06	23	-	-	-	-	-	-	800	●	-	PHOENIXI
9,0	3,0	11,0	180	79,3	0,06	23	-	-	-	-	-	-	800	●	-	PHOENIXII

10,0	3,3	12,0	200	75,9	0,06	19	2	125	●	250	230	●	800	●	●	2576CBSC/B
------	-----	------	-----	------	------	----	---	-----	---	-----	-----	---	-----	---	---	------------

10,0	3,3	12,0	200	80	0,1	21	2	125	●	180	230	●	800	-	-	2620SC/B
8,0	2,7	10,0	160	78,3	0,1	31	2	125	●	180	230	●	800	-	-	2320SC/B
7,0	2,3	9,0	140	78,3	0,1	31	2	125	●	140	230	●	800	-	-	2120SC/B

Options 20-serie	Description
IK20.21/3/B	Frame 3 sided 40mm black for 2120SC/B and 2020S/B
IK20.21/OR/B	Frame 4th side (bottom part) 40mm black for 2120SC/B and 2020S/B
70.77101.000	Coal Basket

# Technical specifications

Product name	Dimensions w x h x d (mm)	Weight (kg)	Wood	Lignite briquettes	Coal	Gas	Length of logs (cm)	Ø connection (mm)	Average temp. of flue gasses(°C)	Minimum pression (Pa)	Flue gas volume (g/s)	Side (S), top (T) and/or rear (R) connection	Ash box/tray
			Fuel					Chimney / flue					

## 20-SERIES ROBUST



2520S	690x600x430	160	●	●	●	-	50	150	320	14	9,2	T	●
2220S	690x540x430	150	●	●	●	-	50	150	340	14	7,7	T	●
2020S	590x495x430	130	●	●	●	-	40	150	340	14	7,7	T	●

Options 20-serie	Description
IK20.25/3/B	Frame 3 sided 40 mm black for 2620SC/B and 2520S/B
IK20/OR/B	Frame 4th side (bottom part) 40mm black for 2620SC/B and 2520S/B
IK20.23/3/B	Frame 3 sided 40mm black for 2320SC/B and 2220S/B
IK20/OR/B	Frame 4th side (bottom part) 40mm black for 2320SC/B and 2220S/B
IK20.21/3/B	Frame 3 sided 40mm black for 2120SC/B and 2020S/B

## 10-SERIES



2510S	730x610x430	180	●	●	●	-	50	150	320	14	9,2	T	●
2510SD	730x610x410	150	●	●	-	-	50	150	360	14	9,0	T	●
2210S	730x550x430	175	●	●	●	-	50	150	340	14	7,7	T	●

Options 10-serie	Description
K10.25D/3	Frame 2510SD 3 sided
K10.25D/OR	Frame 2510SD bottom part
K10.25/3	Frame 2510 3 sided
K10/OR	Frame 10-serie bottom part
K10.22/3	Frame 2210 3 sided
70.77101.000	Coal basket



# INSERTS

Nominal output (kW)	Minimal output (kW)	Maximal output (kW)	Capacity (m <sup>3</sup> )	Efficiency (%)	CO emissions % (13% O <sub>2</sub> )	Dust particles (mg/Nm <sup>3</sup> )	Max. number connections	Connection diameter (mm)	Fan	Fan output (m <sup>3</sup> /h)	Electrical connection (V)	Adjustable fan	Distance from flammable objects: front (mm)	Secondary combustion	Outside air connection	Product name
Based on fuel 'wood'							Convection air	Fan								

10,0	3,3	12,0	200	80	0,1	21	2	125	●	180	230	●	800	-	-	2520S
8,0	2,7	10,0	160	78,3	0,1	31	2	125	●	180	230	●	800	-	-	2220S
7,0	2,3	9,0	140	78,3	0,1	31	2	125	●	140	230	●	800	-	-	2020S

Options 20-serie	Description
IK20.21/OR/B	Frame 4th side (bottom part) 40mm black for 2120SC/B and 2020S/B
70.77101.000	Coal Basket

10,0	3,3	12,0	200	80	0,1	21	2	125	●	180	230	●	800	-	-	2510S
10,0	3,3	12,0	200	78,1	0,1	29	2	125	●	140	230	●	800	-	-	2510SD
8,0	2,7	10,0	160	78,3	0,1	31	2	125	●	180	230	●	800	-	-	2210S

# Technical specifications

Product name	Dimensions w x h x d (mm)	Weight (kg)	Fuel				Length of logs (cm)	Ø connection (mm)	Height of connection (mm)	Average temp. of flue gasses(°C)	Minimum pression (Pa)	Flue gas volume (g/s)	Side (S), top (T) and/or rear (R) connection
			Wood	Lignite briquettes	Coal	Gas							Chimney / flue

## ROCK



\* ROCK: Not available in all countries, please inquire for your country

ROCK500	660x705x375	130	●	-	-	-	50	150	570	288	12	9,3	T/R
ROCK350	510x705x375	110	●	-	-	-	35	150	570	274	12	5,2	T/R
ROCK500WB	660x745x375	145	●	-	-	-	50	150	610	288	12	9,3	T/R
ROCK350WB	510x745x375	125	●	-	-	-	35	150	610	274	12	5,2	T/R
ROCK500TB	660x745x375	140	●	-	-	-	50	150	610	288	12	9,3	T/R
ROCK350TB	510x745x375	120	●	-	-	-	35	150	610	274	12	5,2	T/R

## BOLD



BOLD300	490x1010x420	130	●	-	-	-	35	150	850	356	12	5,6	T/R
BOLD400	490x1130x415	145	●	-	-	-	35	150	985	356	12	5,6	T/R

Options BOLD	Description
01.91673.021	Heat shield BOLD300 or BOLD400

## SENSE



SENSE403	555x1160x440	175	●	-	-	-	40	150	1025	352	12	7,3	T/R
SENSE400	555x1160x440	180	●	-	-	-	40	150	1025	352	12	7,3	T/R
SENSE303	555x1060x440	145	●	-	-	-	40	150	930	352	12	7,3	T/R
SENSE300	555x1060x440	150	●	-	-	-	40	150	930	352	12	7,3	T/R
SENSE203	470x980x360	125	●	-	-	-	33	150	870	351	12	5,1	T/R
SENSE200	470x980x360	125	●	-	-	-	33	150	870	351	12	5,1	T/R
SENSE103	470x900x360	105	●	-	-	-	33	150	790	351	12	5,1	T/R
SENSE100	470x900x360	105	●	-	-	-	33	150	790	351	12	5,1	T/R
SENSE113	470x720x360	100	●	-	-	-	33	150	610	351	12	5,1	T/R

Options SENSE	Description
HS-SENSE	Heat shield SENSE100-103-113
01.91668.021	Heat shield SENSE300-303-400-403

Enamel versions
SENSE113/E12
SENSE100/E8,E12,E14
SENSE100/E10
SENSE103/E8,E12,E14

Enamel versions
SENSE103/E10
SENSE200/E8,E12,E14
SENSE200/E10
SENSE203/E8,E12,E14

Enamel versions
SENSE203/E10
SENSE300/E8,E12,E14
SENSE300/E10
SENSE303/E8,E12,E14

# STOVES

Ash box/tray	Nominal power (kW)	Minimal power (kW)	Maximal power (kW)	Capacity (m <sup>3</sup> )	Efficiency (%)	CO emissions % (13% O <sub>2</sub> )	Dust particles (mg/Nm <sup>3</sup> )	Behind (mm)	Side (mm)	Front (mm)	Secondary combustion	Outside air connection	Product name
	Based on fuel 'wood'							Distance to flammable objects					

●	9,0	3,0	11,0	180	80	0,1	29	520	600	1200	●	●	ROCK500
●	7,0	2,3	9,0	140	80	0,06	34,6	250	400	800	●	●	ROCK350
●	9,0	3,0	11,0	180	80	0,1	29	520	600	1200	●	●	ROCK500WB
●	7,0	2,3	9,0	140	80	0,06	34,6	250	400	800	●	●	ROCK350WB
●	9,0	3,0	11,0	180	80	0,1	29	520	600	1200	●	●	ROCK500TB
●	7,0	2,3	9,0	140	80	0,06	34,6	250	400	800	●	●	ROCK350TB

●	7,0	2,3	9,0	140	80	0,1	33	300	250	800	●	●	BOLD300
●	7,0	2,3	9,0	140	80	0,1	33	300	250	800	●	●	BOLD400

#### Enamel versions

BOLD300/E8,E12,E14

BOLD400/E8,E12,E14

●	9,0	3,0	11,0	180	80	0,08	19	400	500	800	●	●	SENSE403
●	9,0	3,0	11,0	180	80	0,08	19	400	500	800	●	●	SENSE400
●	9,0	3,0	11,0	180	80	0,08	19	400	500	800	●	●	SENSE303
●	9,0	3,0	11,0	180	80	0,08	19	400	500	800	●	●	SENSE300
●	7,0	2,3	9,0	140	80	0,07	21	300	500	800	●	●	SENSE203
●	7,0	2,3	9,0	140	80	0,07	21	300	500	800	●	●	SENSE200
●	7,0	2,3	9,0	140	80	0,07	21	300	500	800	●	●	SENSE103
●	7,0	2,3	9,0	140	80	0,07	21	300	500	800	●	●	SENSE100
●	7,0	2,3	9,0	140	80	0,07	25	300	500	800	●	●	SENSE113

#### Enamel versions

SENSE303/E10

SENSE400/E8,E12,E14

SENSE400/E10

SENSE403/E8,E12,E14

SENSE403/E10

# Technical specifications

Product name	Dimensions w x h x d (mm)	Weight (kg)	Fuel				Length of logs (cm)	Ø connection (mm)	Height of connection (mm)	Average temp. of flue gasses(°C)	Minimum pression (Pa)	Flue gas volume (g/s)	Side (S), top (T) and/or rear (R) connection
			Wood	Lignite briquettes	Coal	Gas							Chimney / flue

## VINTAGE



VINTAGE50	690x690x445	155	●	-	-	-	50	150	545	328	12	6,4	T/R
VINTAGE35	505x685x445	125	●	-	-	-	35	150	545	328	12	4,9	T/R
VINTAGE30	370x680x445	95	●	-	-	-	30	150	545	328	12	4,2	T/R
VINTAGE50TB	720x805x445	175	●	-	-	-	50	150	660	328	12	6,4	T/R
VINTAGE35TB	535x800x445	140	●	-	-	-	35	150	660	328	12	4,9	T/R
VINTAGE30TB	400x800x445	110	●	-	-	-	30	150	660	328	12	4,2	T/R
VINTAGE50WB	690x880x445	185	●	-	-	-	50	150	735	328	12	6,4	T/R
VINTAGE35WB	505x875x445	150	●	-	-	-	35	150	735	328	12	4,9	T/R
VINTAGE30WB	370x870x445	115	●	-	-	-	30	150	735	328	12	4,2	T/R
VINTAGE35CR	570x800x445	150	●	-	-	-	35	150	660	328	12	4,9	T/R
VINTAGE30CR	435x800x445	115	●	-	-	-	30	150	660	328	12	4,2	T/R

### Enamel versions

VINTAGE50/  
E8,E9,E12,E14

VINTAGE50/E10

VINTAGE35/  
E8,E9,E12,E14

VINTAGE35/E10

VINTAGE30/  
E8,E9,E12,E14

VINTAGE30/E10

### Enamel versions

VINTAGE50TB/  
E8,E9,E12,E14

VINTAGE50TB/E10

VINTAGE35TB/  
E8,E9,E12,E14

VINTAGE35TB/E10

VINTAGE30TB/  
E8,E9,E12,E14

VINTAGE30TB/E10

### Enamel versions

VINTAGE50WB/  
E8,E9,E12,E14

VINTAGE50WB/E10

VINTAGE35WB/  
E8,E9,E12,E14

VINTAGE35WB/E10

VINTAGE30WB/  
E8,E9,E12,E14

VINTAGE30WB/E10

## BOW



BOW	700x770x460	125	●	-	-	-	50	150	-	-	-	-	T
BOW/P	700x870x460	135	●	-	-	-	50	150	-	-	-	-	T
BOW/WB	700x865x460	140	●	-	-	-	50	150	-	-	-	-	T

## TAI



TAI55M	715x800x465	190	●	●	●	-	55	150	665	407	12	8,2	R
TAI55WD	715x800x430	160	●	-	-	-	55	150	665	351	12	7,0	T/R
TAI45M	615x800x465	170	●	●	●	-	45	150	665	410	12	8,5	R
TAI45WD	615x800x430	140	●	-	-	-	45	150	665	299	12	7,7	T/R
TAI35WT	520x785x400	85	●	-	-	-	35	150	610	339	12	4,3	T/R

# STOVES

Ash box/tray	Nominal power (kW)	Minimal power (kW)	Maximal power (kW)	Capacity (m <sup>3</sup> )	Efficiency (%)	CO emissions % (13% O <sub>2</sub> )	Dust particles (mg/Nm <sup>3</sup> )	Behind (mm)	Side (mm)	Front (mm)	Secondary combustion	Outside air connection	Product name
	Based on fuel 'wood'							Distance to flammable objects					

●	9,0	3,0	11,0	180	84,2	0,1	27	150	500	800	●	●	VINTAGE50
●	7,0	2,3	9,0	140	83	0,05	16	100	500	800	●	●	VINTAGE35
-	5,0	1,7	7,0	100	80,4	0,05	6	100	500	800	●	●	VINTAGE30
●	9,0	3,0	11,0	180	84,2	0,1	27	150	500	800	●	●	VINTAGE50TB
●	7,0	2,3	9,0	140	83	0,05	16	100	500	800	●	●	VINTAGE35TB
-	5,0	1,7	7,0	100	80,4	0,05	6	100	500	800	●	●	VINTAGE30TB
●	9,0	3,0	11,0	180	84,2	0,1	27	150	500	800	●	●	VINTAGE50WB
●	7,0	2,3	9,0	140	83	0,05	16	100	500	800	●	●	VINTAGE35WB
-	5,0	1,7	7,0	100	80,4	0,05	6	100	500	800	●	●	VINTAGE30WB
●	7,0	2,3	9,0	140	83	0,05	16	100	500	800	●	●	VINTAGE35CR
-	5,0	1,7	7,0	100	80,4	0,05	6	100	500	800	●	●	VINTAGE30CR

## Enamel versions

VINTAGE35CR/  
E8,E9,E12,E14

VINTAGE35CR/E10

VINTAGE30CR/  
E8,E9,E12,E14

VINTAGE30CR/E10

●	9,0	3,0	11,0	180	> 75	< 0.10	< 40	-	-	-	●	-	BOW
●	9,0	3,0	11,0	180	> 75	< 0.10	< 40	-	-	-	●	-	BOW/P
●	9,0	3,0	11,0	180	> 75	< 0.10	< 40	-	-	-	●	-	BOW/WB

●	11,0	3,7	13,0	220	75,3	0,09	5,1	350	450	800	●	-	TAI55M
●	11,0	3,7	13,0	220	80	0,07	29	300	400	800	●	-	TAI55WD
●	9,0	3,0	11,0	180	75,3	0,09	13	300	450	800	●	-	TAI45M
●	9,0	3,0	11,0	180	80	0,08	20	300	400	800	●	-	TAI45WD
-	6,5	3,3	8,5	130	81,4	0,07	18	400	400	800	●	-	TAI35WT

# Technical specifications

Product name	Dimensions w x h x d (mm)	Weight (kg)	Wood	Lignite briquettes	Coal	Gas	Length of logs (cm)	Ø connection (mm)	Height of connection (mm)	Average temp. of flue gasses(°C)	Minimum pression (Pa)	Flue gas volume (g/s)	Side (S), top (T) and/or rear (R) connection
			Fuel							Chimney / flue			

Options TAI	Description
KPTAI45	Cooking plate for TAI45M
SIERTAI45	Decorative cover for TAI45M
KPTAI55	Cooking plate for TAI55M
SIERTAI55	Decorative cover for TAI55M
01.91671.021	Set short legs for TAI

## 760



760CB	780x800x580	210	●	-	-	-	60	150	645	343	11	10,4	T/R
760GM	780x800x580	225	●	●	●	-	40	150	645	342	10	8,1	T/R

Options 760	Description
70.13401.000	Funnel for 760GM
KP760	Cooking plate 760GM
03.69179.021	Top plate 760GM with recess for filling lid or cooking plate - black
03.69179.086	Top plate 760GM with recess for filling lid or cooking plate - enamel E6
03.69179.087	Top plate 760GM with recess for filling lid or cooking plate - enamel E8
03.69179.089	Top plate 760GM with recess for filling lid or cooking plate - enamel E10
AIRKIT-K01	Outside air kit

## 640



640CB	650x760x550	190	●	-	-	-	50	150	605	322	12	8,7	T/R
640GM	650x760x550	190	●	●	●	-	40	150	605	345	12	7,2	T/R

Options 640	Description
70.13402.000	Funnel for 640GM
AIRKIT-K01	Outside air kit

## BRUT



BRUT	460x825x395	105	●	-	-	-	35	150	-	302	12	6,1	T
------	-------------	-----	---	---	---	---	----	-----	---	-----	----	-----	---

Options Brut	Description
01.91684.021	Higher legs Brut

# STOVES

Ash box/tray	Nominal power (kW)	Minimal power (kW)	Maximal power (kW)	Capacity (m <sup>3</sup> )	Efficiency (%)	CO emissions % (13% O <sub>2</sub> )	Dust particles (mg/Nm <sup>3</sup> )	Behind (mm)	Side (mm)	Front (mm)	Secondary combustion	Outside air connection	Product name
	Based on fuel 'wood'							Distance to flammable objects					

●	11,0	3,7	13,0	220	78	0,09	15	200	500	800	●	○	760CB
●	11,0	3,7	13,0	220	82,8	0,06	25	200	500	800	●	○	760GM

#### Enamel versions

760CB/E6,E8

760CB/E10

760GM/E6,E8

760GM/E10

●	9,0	3,0	11,0	180	75,2	0,1	19	200	500	800	●	○	640CB
●	9,0	3,0	11,0	180	77,5	0,08	10	200	500	800	●	○	640GM

#### Enamel versions

640CB/E6,E8

640CB/E10

640GM/E6,E8

640GM/E10

●	6,5	4,5	8,5	130	78	0,04	18	400	400	800	●	-	BRUT
---	-----	-----	-----	-----	----	------	----	-----	-----	-----	---	---	------

#### Enamel version

BRUT/E12

# Technical specifications

Product name	Dimensions w x h x d (mm)	Weight (kg)	Wood	Lignite briquettes	Coal	Gas	Length of logs (cm)	Ø connection (mm)	Height of connection (mm)	Average temp. of flue gasses(°C)	Minimum pression (Pa)	Flue gas volume (g/s)	Side (S), top (T) and/or rear (R) connection
			Fuel								Chimney / flue		

## ASTRO4



ASTRO4CB/WB	475x1140x420	170	●	-	-	-	25	150	985	367	12	7,5	T/R
ASTRO4MF/WB	475x1140x420	170	●	●	●	-	25	150	985	367	11	7,4	T/R
ASTRO4CB/P	475x1140x430	155	●	-	-	-	25	150	985	367	12	7,5	T/R
ASTRO4MF/P	475x1140x430	155	●	●	●	-	25	150	985	367	11	7,4	T/R

Options ASTRO4	Description
FPG4.1	ASTRO4 Floor plate glass (WxD: 610 x 383 mm)
FPS4.1	ASTRO4 Floor plate steal (WxD: 610 x 383 mm)
HSF4.1/B	ASTRO4 Heat shield fixed black

## ASTRO3



ASTRO3CB/WB	515x1140x420	160	●	-	-	-	25	150	985	367	12	7,5	T/R
ASTRO3CB/P	515x1140x420	145	●	-	-	-	25	150	985	367	12	7,5	T/R

Options ASTRO3	Description
FPG3.1	ASTRO3 Floor plate glass round (WxD: 572 x 443 mm)
FPS3.1	ASTRO3 Floor plate steal round (WxD: 572 x 447 mm)
FPG3.2	ASTRO3 Floor plate glass angular (WxD: 514 x 441 mm)
FPS3.2	ASTRO3 Floor plate steal angular (WxD: 514 x 457 mm)
HSF3.2/B	ASTRO3 Heat shield fixed black
HSW3.1	ASTRO3 Heat shield wings black

## ASTRO2



ASTRO2/L	520x890x450	139	●	-	-	-	30	150	730	280	12	7,1	T/R
ASTRO2/WB	545x1050x450	158	●	-	-	-	30	150	890	280	12	7,1	T/R
ASTRO2/P	520x1120x450	157	●	-	-	-	30	150	960	280	12	7,1	T/R

## 2575/3SEC



2575/3SEC	700x2400-2700x490	234	●	-	-	-	50	150	1120	345	12	10,1	T
-----------	-------------------	-----	---	---	---	---	----	-----	------	-----	----	------	---



# STOVES

Ash box/tray	Nominal power (kW)	Minimal power (kW)	Maximal power (kW)	Capacity (m <sup>3</sup> )	Efficiency (%)	CO emissions % (13% O <sub>2</sub> )	Dust particles (mg/Nm <sup>3</sup> )	Behind (mm)	Side (mm)	Front (mm)	Secondary combustion	Outside air connection	Product name
	Based on fuel 'wood'							Distance to flammable objects					
●	8,0	2,5	10,0	160	76,4	0,09	24	100	500	800	●	●	ASTRO4CB/WB
●	8,0	2,5	10,0	160	76,7	0,09	18	100	500	800	●	●	ASTRO4MF/WB
●	8,0	2,5	10,0	160	76,4	0,09	24	100	500	800	●	●	ASTRO4CB/P
●	8,0	2,5	10,0	160	76,7	0,09	18	100	500	800	●	●	ASTRO4MF/P
●	8,0	2,5	10,0	160	76,4	0,09	24	100	500	800	●	●	ASTRO3CB/WB
●	8,0	2,5	10,0	160	76,4	0,09	24	100	500	800	●	●	ASTRO3CB/P
●	7,0	2,3	9,0	140	79,4	0,07	31	200	200	800	●	●	ASTRO2/L
●	7,0	2,3	9,0	140	79,4	0,07	31	200	200	800	●	●	ASTRO2/WB
●	7,0	2,3	9,0	140	79,4	0,07	31	200	200	800	●	●	ASTRO2/P
-	10,0	3,3	12,0	200	75,9	0,06	19	10	500	800	●	●	2575/3SEC

# Technical specifications

Product name	Dimensions w x h x d (mm)	Weight (kg)	Wood	Lignite briquettes	Coal	Gas	Length of logs (cm)	Ø connection (mm)	Height of connection (mm)	Average temp. of flue gasses(°C)	Minimum pression (Pa)	Flue gas volume (g/s)	Side (S), top (T) and/or rear (R) connection	
			Fuel							Chimney / flue				

750



750GH	700x705x490	175	●	-	-	-	50	150	595	343	12	7,5	T/R
750GM	700x705x490	175	●	●	●	-	50	150	595	340	12	7,5	T/R

250



250CB	455x645x405	80	●	●	-	-	30	125	495	295	12	6,4	T/R
250CBN	455x645x405	80	●	●	-	-	30	125	495	295	12	6,4	T/R
250	455x645x405	80	●	●	●	-	30	125	495	316	10	6,2	T/R

425



425CB	550x765/845x445	115	●	●	-	-	40	150	640-720	415	13	5,6	T/R
425GM	550x765/845x445	110	●	●	●	-	40	150	640-720	341	12	9,2	T/R

#### Enamel versions

425CB/E6,E8

425CB/E10

425GM/E6,E8

425GM/E10

310GX

300CB

100CBS

600



310GX	805x710x435	130	●	●	●	-	60	150	610	330	12	7,3	T/R
300CB	810x730x365	115	●	-	-	-	60	125	630	384	12	5,8	S/T/R
100CBS	515x620x340	60	●	-	-	-	35	125	520	319	12	6,0	S/T/R
600	595x680x340	80	●	-	-	-	40	125	590	320	12	8,2	S/T/R

Options	Description
200	Top section for 100CBS/400 - 20m <sup>3</sup> - Ø125mm
400	Top section for 300CBS/310GX - 30m <sup>3</sup> - Ø125mm
100-78	Cover with flue collar for top connection 100CBS

# STOVES

Ash box/tray	Nominal power (kW)	Minimal power (kW)	Maximal power (kW)	Capacity (m <sup>3</sup> )	Efficiency (%)	CO emissions % (13% O <sub>2</sub> )	Dust particles (mg/Nm <sup>3</sup> )	Behind (mm)	Side (mm)	Front (mm)	Secondary combustion	Outside air connection	Product name
	Based on fuel 'wood'							Distance to flammable objects					
●	9,0	3,0	11,0	180	75	0,1	-	200	400	800	●	-	750GH
●	9,0	3,0	11,0	180	78,2	0,13	-	200	400	800	-	-	750GM
●	6,0	2,0	8,0	120	83	0,1	36	200	200	800	●	-	250CB
●	6,0	2,0	8,0	120	83	0,1	36	400	400	800	●	-	250CBN
●	6,0	2,0	8,0	120	81,7	0,1	18	200	400	800	●	-	250
●	8,0	2,7	10,0	160	78,8	0,09	36	200	400	800	●	-	425CB
●	8,0	2,7	10,0	160	80,1	0,09	28	200	400	800	-	-	425GM
●	8,0	2,7	10,0	160	78,5	0,08	32	400	400	800	-	-	310GX
-	6,0	2,0	8,0	120	80	0,09	33	400	400	800	●	-	300CB
-	5,0	1,5	7,0	100	76	0,09	37	400	500	800	●	-	100CBS
-	6,0	2,0	8,0	120	80	0,09	33	400	400	800	-	-	600

Options	Description
02.23486.021	Cover with flue collar for top connection 310GX
300-78	Cover with flue collar for top connection 300CBS
600-78	Cover with flue collar for top connection 600

# Technical specifications

Product name	Dimensions w x h x d (mm)	Weight (kg)	Wood	Lignite briquettes	Coal	Gas	Length of logs (cm)	Ø connection (mm)	Height of connection (mm)	Average temp. of flue gasses(°C)	Minimum pression (Pa)	Flue gas volume (g/s)	Side (S), top (T) and/or rear (R) connection	
			Fuel							Chimney / flue				

## 40CBS



40CBS	600x715/775x350	85	●	-	-	-	40	125	610	384	11	6,4	S/T/R
-------	-----------------	----	---	---	---	---	----	-----	-----	-----	----	-----	-------

Options 40CBS	Description
KP	Cooking plate 40CBS
5T	Top section for 40CBS
15317.0	Cover with flue collar for top section 40CBS

## 525



525CB	525x750x475	120	●	-	-	-	40	150	625	353	12	5,4	T/R
-------	-------------	-----	---	---	---	---	----	-----	-----	-----	----	-----	-----

## 325



325CB	465x655x490	100	●	-	-	-	30	125	530	346	12	4,1	T/R
-------	-------------	-----	---	---	---	---	----	-----	-----	-----	----	-----	-----

## 360



360CB3	540x768x475	128	●	-	-	-	40	125	658	438	10	8,2	S/T/R
360CB	540x715-775x475	130	●	-	-	-	40	125	600-660	438	10	8,2	S/T/R

## 350



350CB3	430x768x475	110	●	-	-	-	30	125	658	442	12	6,6	S/T/R
350CB	430x715-775x475	95	●	-	-	-	30	125	600-660	442	12	6,6	S/T/R

# STOVES

Ash box/tray	Nominal power (kW)	Minimal power (kW)	Maximal power (kW)	Capacity (m <sup>3</sup> )	Efficiency (%)	CO emissions % (13% O <sub>2</sub> )	Dust particles (mg/Nm <sup>3</sup> )	Behind (mm)	Side (mm)	Front (mm)	Secondary combustion	Outside air connection	Product name
	Based on fuel 'wood'							Distance to flammable objects					
-	6,0	2,0	8,0	120	82,4	0,12	16	400	400	800	●	-	40CSB
●	8,0	2,7	10,0	160	80	0,09	21	200	350	800	●	●	525CB
-	6,0	2,0	8,0	120	81	0,09	13	150	400	800	●	●	325CB
●	7,0	2,3	9,0	140	75	0,09	39	200	800	800	●	-	360CB3
●	7,0	2,3	9,0	140	75	0,09	39	200	400	800	●	-	360CB
●	6,0	2,0	8,0	120	77	0,1	10	200	800	800	●	-	350CB3
●	6,0	2,0	8,0	120	77	0,1	10	200	400	800	●	-	350CB

# Technical specifications

Product name	Dimensions w x h x d (mm)	Weight (kg)	Fuel				Ø connection (mm)	Height of connection (mm)	Side (S), top (T) and/or rear (R) connection
			Wood	Lignite briquettes	Coal	Gas			
							Chimney / flue		

## VINTAGE GAS



VINT50GA	690x690x445	85	-	-	-	●	100/150	545	T/R
VINT50GAP	690x690x445	85	-	-	-	●	100/150	545	T/R
VINT35GA	505x685x445	65	-	-	-	●	100/150	545	T/R
VINT35GAP	505x685x445	65	-	-	-	●	100/150	545	T/R
VINT50GA/TB	720x805x445	105	-	-	-	●	100/150	660	T/R
VINT50GAP/TB	720x805x445	105	-	-	-	●	100/150	660	T/R
VINT35GA/TB	535x800x445	80	-	-	-	●	100/150	660	T/R
VINT35GAP/TB	535x800x445	80	-	-	-	●	100/150	660	T/R
VINT50GA/WB	690x880x445	115	-	-	-	●	100/150	735	T/R
VINT50GAP/WB	690x880x445	115	-	-	-	●	100/150	735	T/R
VINT35GA/WB	505x875x445	90	-	-	-	●	100/150	735	T/R
VINT35GAP/WB	505x875x445	90	-	-	-	●	100/150	735	T/R
VINT35GA/CR	575x800x445	90	-	-	-	●	100/150	660	T/R
VINT35GAP/CR	575x800x445	90	-	-	-	●	100/150	660	T/R

### Enamel versions

VINTAGE50GA(P)/E8,E9,E12,E14

VINTAGE50GA(P)/E10

VINTAGE35GA(P)/E8,E9,E12,E14

VINTAGE35GA(P)/E10

### Enamel versions

VINTAGE50GA(P)TB/E8,E9,E12,E14

VINTAGE50GA(P)TB/E10

VINTAGE35GA(P)TB/E8,E9,E12,E14

VINTAGE35GA(P)TB/E10

### Enamel versions

VINTAGE50GA(P)WB/E8,E9,E12,E14

VINTAGE50GA(P)WB/E10

VINTAGE35GA(P)WB/E8,E9,E12,E14

VINTAGE35GA(P)WB/E10

## ASTRO4 GAS



ASTRO4GAO/P	475x1140x430	120	-	-	-	●	125-130	980	T/R
ASTRO4GAO/WB	465x1140x420	115	-	-	-	●	125-130	980	T/R

## 750 GA



750GA	700x705x545	115	-	-	-	●	100	545	R
750GAP	700x705x545	115	-	-	-	●	100	545	R

# GAS STOVES

Nominal power (kW)	Capacity (m <sup>3</sup> )	Efficiency (%)	Gas category	Gas type	Gas connection (")	Type of gas appliance	Nominal output (kW)	Nominal gas consumption in m <sup>3</sup> /hr (G20 or G31)	Behind (mm)	Side (mm)	Front (mm)	Outside air connection	Product name
* Nominal capacity (kW) and nominal heat output (kW) for natural gas based on gas type G20 and for propane/butane on gas type G31.									Distance to flammable objects				

7,5	140	88	I2E+	G20/G25	3/8	C11/C31	8,7	0,9	200	500	800	●	VINT50GA
5,3	140	88	I3+	G30/G31	3/8	C11/C31	6	0,18	200	500	800	●	VINT50GAP
6,0	120	86	I2E+	G20/G25	3/8	C11/C31	7	0,7	150	500	800	●	VINT35GA
3,8	120	86	I3+	G30/G31	3/8	C11/C31	4,4	0,13	150	500	800	●	VINT35GAP
7,5	140	88	I2E+	G20/G25	3/8	C11/C31	8,7	0,9	200	500	800	●	VINT50GA/TB
5,3	140	88	I3+	G30/G31	3/8	C11/C31	6	0,18	200	500	800	●	VINT50GAP/TB
6,0	120	86	I2E+	G20/G25	3/8	C11/C31	7	0,7	150	500	800	●	VINT35GA/TB
3,8	120	86	I3+	G30/G31	3/8	C11/C31	4,4	0,13	150	500	800	●	VINT35GAP/TB
7,5	140	88	I2E+	G20/G25	3/8	C11/C31	8,7	0,9	200	500	800	●	VINT50GA/WB
5,3	140	88	I3+	G30/G31	3/8	C11/C31	6	0,18	200	500	800	●	VINT50GAP/WB
6,0	120	86	I2E+	G20/G25	3/8	C11/C31	7	0,7	150	500	800	●	VINT35GA/WB
3,8	120	86	I3+	G30/G31	3/8	C11/C31	4,4	0,13	150	500	800	●	VINT35GAP/WB
6,0	120	86	I2E+	G20/G25	3/8	C11/C31	7	0,7	150	500	800	●	VINT35GA/CR
3,8	120	86	I3+	G30/G31	3/8	C11/C31	4,4	0,13	150	500	800	●	VINT35GAP/CR

#### Enamel versions

VINTAGE35GA(P)CR/  
E8,E9,E12,E14

VINTAGE35GA(P)CR/E10

6,0	120	85,1	I2E+	G20/G25	3/8	B11BS	7	0,75	200	400	800	-	ASTRO4GAO/P
6,0	120	85,1	I2E+	G20/G25	3/8	B11BS	7	0,75	200	400	800	-	ASTRO4GAO/WB

9,0	180	85,4	I2E+	G20/G25	3/8	B11BS	10,5	1,1	200	400	800	-	750GA
9,0	180	88,1	I3+	G30/G31	3/8	B11BS	10,5	0,3	200	400	800	-	750GAP

# Technical specifications

Product name	Dimensions w x h x d (mm)	Weight (kg)	Wood	Lignite briquettes	Coal	Gas	Ø connection (mm)	Height of connection (mm)	Side (S), top (T) and/or rear (R) connection
			Fuel				Chimney / flue		

## 725 GA



725GA	710x775x495	85	-	-	-	●	100	570	R
725GAP	710x775x495	85	-	-	-	●	100	570	R

## 425 GA



425GA	560x725x450	75	-	-	-	●	100	570	R
425GAP	560x725x450	75	-	-	-	●	100	570	R

### Enamel versions

425GA(P)/E6,E8

425GA(P)/E10



# GAS STOVES

Nominal power (kW)	Capacity (m <sup>3</sup> )	Efficiency (%)	Gascategory	Gas type	Gas connection (")	Type of gas appliance	Nominal output (kW)	Nominal gas consumption in m <sup>3</sup> /hr (G20 or G31)	Behind (mm)	Side (mm)	Front (mm)	Outside air connection	Product name
* Nominal capacity (kW) and nominal heat output (kW) for natural gas based on gas type G20 and for propane/butane on gas type G31.									Distance to flammable objects				
9,0	180	86,1	I2E+	G20/G25	3/8	B11BS	10	1,1	200	400	800	-	725GA
9,0	180	85,5	I3+	G30/G31	3/8	B11BS	10	0,3	200	400	800	-	725GAP
6,0	120	87,4	I2E+	G20/G25	3/8	B11BS	7	0,75	200	400	800	-	425GA
6,0	120	88,3	I3+	G30/G31	3/8	B11BS	8	0,25	200	400	800	-	425GAP

# Accessories

## ENAMEL FLUE PIPES (NOT CONCENTRIC)

Product name	photo	Description
RL1000 (E6,E8,E9,E10,E12,E14)		Tube 1000mm Ø150mm
RL0750 (E6,E8,E9,E10,E12,E14)		Tube 750mm Ø150mm
RLV1150 (E6,E8,E9,E10,E12,E14)		Tube 750-1150mm adjustable + flue collar Ø150mm
RL0250 (E6,E8,E9,E10,E12,E14)		Tube 250mm Ø150mm
BGG45 (E6,E8,E9,E10,E12,E14)		Elbow 45° Ø150mm
BGG90 (E6,E8,E9,E10,E12,E14)		Elbow 90° Ø150mm
K0330 (E6,E8,E9,E10,E12,E14)		T-piece with cap Ø150mm
RWF (E6,E8,E9,E10,E12,E14)		Rosette Ø150mm
MUFF (E6,E8,E9,E10,E12,E14)		Connection piece Ø150mm

## ACCESSORIES (GENERAL)

Product name	Photo	Description
LAKTB		Can spray paint anthracite
LAKTBZ		Can spray paint black
SK		Service kit
KIT-B		Fire cement 400g
KLR-5		Air grid with frame H:21,4 W:21,4 D:2
KLR-8		Air grid with frame H:21,4 W:26 D:3,5
25		Small air grid H:9,1 W:16 D:3,5
705		Big air grid H:9,1 W:26,5 D:3,5
14.05010.300		Ash cleaner
		1 tube of fire lighters 'Ring of Fire' (80 sachets)
03.63005.000		Counter display fire lighters 'Ring of Fire' (6 tubes)
03.63006.000		Floor display fire lighters 'Ring of Fire' (75 tubes)

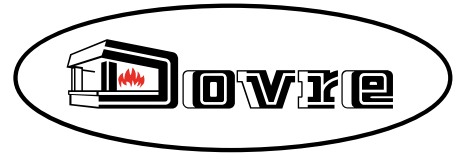
**DOVRE  
RING OF FIRE  
FIRELIGHTER SACHETS**



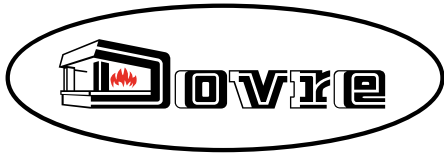
**DOVRE RING OF FIRE**

MORE INFO: [WWW.DOVREFIRE.COM/RINGOFFIRE](http://WWW.DOVREFIRE.COM/RINGOFFIRE)

# NOTES



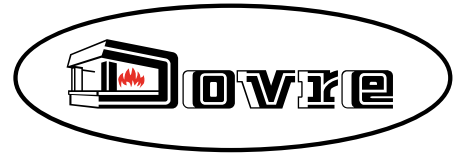
A series of horizontal dotted lines spanning the width of the page, intended for writing notes.



# NOTES

A series of horizontal dotted lines for writing notes.

NOTES



A series of horizontal dotted lines spanning the width of the page, intended for writing notes.

# Fire with Character



**DOVRE**

info@dovrefire.com  
www.dovrefire.com



Since we strive to improve our products continuously, prices, images and specifications of our products may deviate from those listed in this brochure without prior notice.  
Reference nr 2016/08 EN - ref. 24.00305.052