



crosswater^x
— LONDON —

2021 PRICE BOOK



393 Fortune Boulevard, Milford MA 01757
Tel: 1-844-992-8371
Email: info@fortebrands.com

crosswaterlondon.com

A CURATED COLLECTION

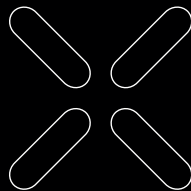
INTUITIVE. INNOVATIVE. EXCLUSIVE.

For more than two decades we have honed our expertise and perfected our designs.

Ever evolving, adapting, exceeding expectations - we are dedicated to creating fittings, fixtures, furniture and accessories of form, function and beauty for every bath space.

Sourcing the finest materials, skilled craftsmanship, and time-honored manufacturing techniques, we offer distinctive collections from Modern and Contemporary to Classic and Traditional.

British Style. European Design. Distinctive Character.



OUR COLLECTIONS

From the quintessentially British to the sleek and modern, we are proud to offer a range of exquisitely designed products to suit all bathroom requirements.



HEIR **6**



UNION **28**



WALDORF **58**



BELGRAVIA **88**



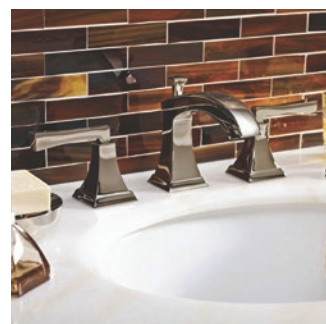
WISP **120**



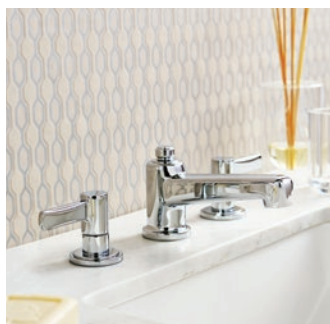
MPRO **146**



BEREA **174**



LEYDEN **198**



DARBY **222**



TAOS **248**



ACCESSORIES **274**



SHOWERING **288**



SPA TOILETS

318



TOILETS

322



BASINS

334



BATH FURNITURE

350



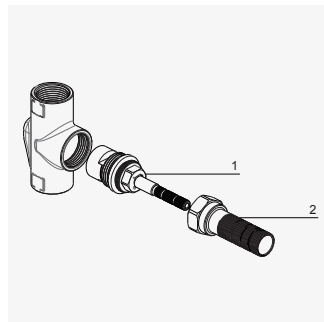
BATHTUBS

362



DRAINS AND
WASTE & OVERFLOWS
ROUGHS

**396
402**



SPARE PARTS

420



COMPLIANCE, WARRANTY,
TERMS & CONDITIONS

436

COMPANY DIRECTORY

Forte Brands

393 Fortune Boulevard
Milford, MA 01757

Main: 508-381-0433
Toll Free: 844-992-8371
Fax: 508-381-6068

crosswaterlondon.com

General inquiries:
info@fortebrands.com

Order and shipping inquiries:
orders@fortebrands.com

Marketing and collateral inquiries:
marketing@fortebrands.com

Replacement requests and
technical inquiries:
technical@fortebrands.com

RGA requests and return inquiries:
returns@fortebrands.com

FINISH TECHNOLOGY

PVD (Physical Vapor Deposition)

PVD coating processes deposit a layer of high-density material that's only a few microns thick. Once applied, the coating is nearly impossible to remove, and won't wear off on its own. PVD finishes are state of the art.

Powdercoat

Dry metallic powder is applied electrostatically and cured in an oven at a very high temperature to set the coating. This method forms an extremely tough finish. Powdercoated surfaces do not have a protective coating. If not properly cared for, the surface can become scratched or chipped. It is extremely important that abrasives and chemicals do not come into contact with the finish.

Electroplate

This finishing process employs electrical current to coat the faucet with metal. This allows the finish to be resistant to corrosion and wear, and contributes to the product's overall durability.

Immersion plate

Immersion plating, also known as chemical or auto-catalytic plating, is a non-electro plating method that involves several simultaneous reactions in an aqueous solution which occur without the use of external electrical power. This process creates a high-quality and very durable finish.

	Finish code	Description	Production method	Collection(s) available	Warranty
Unlacquered Brass	B	Raw brass is polished and left uncoated to naturally patina over time. A rich, living finish which can be left to gently tarnish or polished to restore its brilliance.	Living finish	UNION, Belgravia, Waldorf	No Warranty
Brushed Brass	BB	A warm brass finish which is machine brushed for an even texture.	PVD	Heir, MPRO	Limited Lifetime
Brushed Black Chrome	BBC	Chrome is chemically darkened then hand brushed and finished.	Electroplated	UNION	Limited Lifetime
Brushed Nickel	BN	A heavy coating of nickel is applied then hand-relieved to achieve a subtle, sophisticated texture.	Electroplated	UNION	Limited Lifetime
Matte Black	MB	The brass is polished to a smooth surface then a hard-wearing, durable coating with a matte appearance is applied.	Immersion-plated	MPRO	Limited Lifetime
Matte Black	MB	A colored powder coating is cured under very high heat to allow it to flow and form a very durable, high-quality 'skin'.	Powdercoated	Taos	Limited Lifetime
Matte Black	MB	A hard-wearing, durable finish with a matte appearance.	Electroplated	UNION	Limited Lifetime
Polished Chrome	PC	A hard-wearing, durable finish, highly polished with a slightly cool tone.	Electroplated	All	Limited Lifetime
Polished Nickel	PN	A durable, highly-polished finish with a warm tone.	PVD	Heir, Berea, Darby, Leyden, Taos	Limited Lifetime
Polished Nickel	PN	A rich, sophisticated finish with a warm tone that deepens over time lending a subtle elegance to traditional designs. If desired, its original luster is easily restored.	Electroplated	Belgravia, Waldorf	Limited Lifetime
Satin Nickel (Stainless)	SN, S or V	Similar to Brushed Nickel but with a slight matte appearance. A heavy coating of nickel is applied then hand brushed to achieve a subtle, sophisticated texture.	PVD	All except Heir and UNION	Limited Lifetime



Heir Widespread Basin Faucet in Polished Nickel (18-08-PN)

Heir Towel Ring in Polished Nickel (18-55-PN)

Heir Handshower Rail Set in Polished Nickel (18-31-PN)

Heir Thermostatic Valve Trim in Polished Nickel (18-16-T-PN)

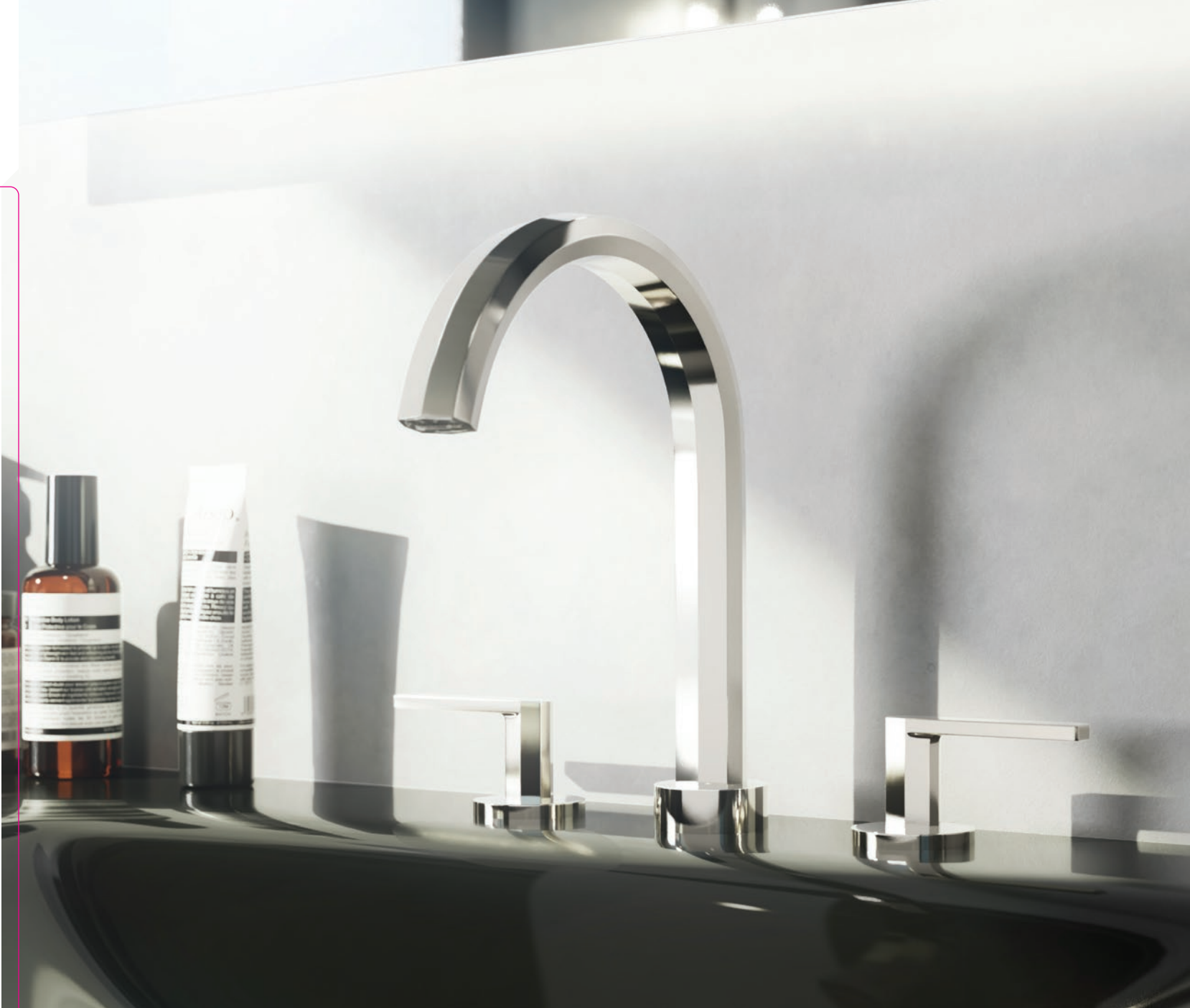
Heir Volume Control Trim in Polished Nickel (18-17-T-PN)

HEIR

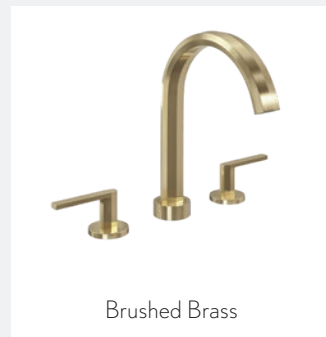


ORGANIC IN FORM. PRECISE IN DETAIL.

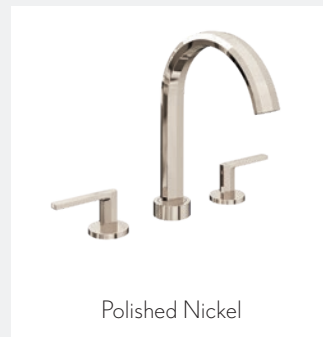
Heir is multi-faceted with a fresh attitude for today's modern bathroom. From base to spout, clean lines and sculpted columns breathe elegance and strength for everyday indulgence. Tactile. Brilliant. Tapping into your sixth sense...Heir sets a new standard for innovative and sensible luxury.



AVAILABLE FINISHES



Brushed Brass

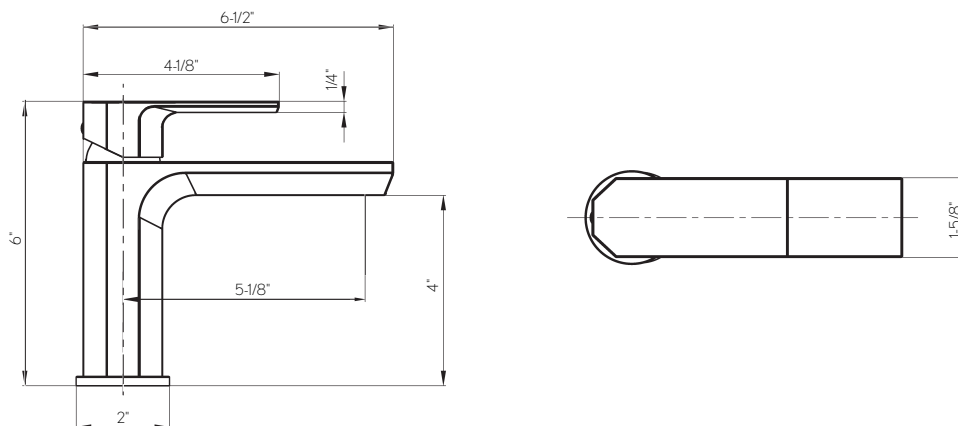


Polished Nickel

NEW! HEIR SINGLE-HOLE BASIN FAUCET

- _____ Solid brass construction
- _____ Kerox ceramic disc cartridge
- _____ Push drain assembly included
- _____ Spout reach: 5-1/8"
- _____ IAPMO listed
- _____ CEC compliant

Brushed Brass	18-01-BB	\$645
Polished Nickel	18-01-PN	\$645

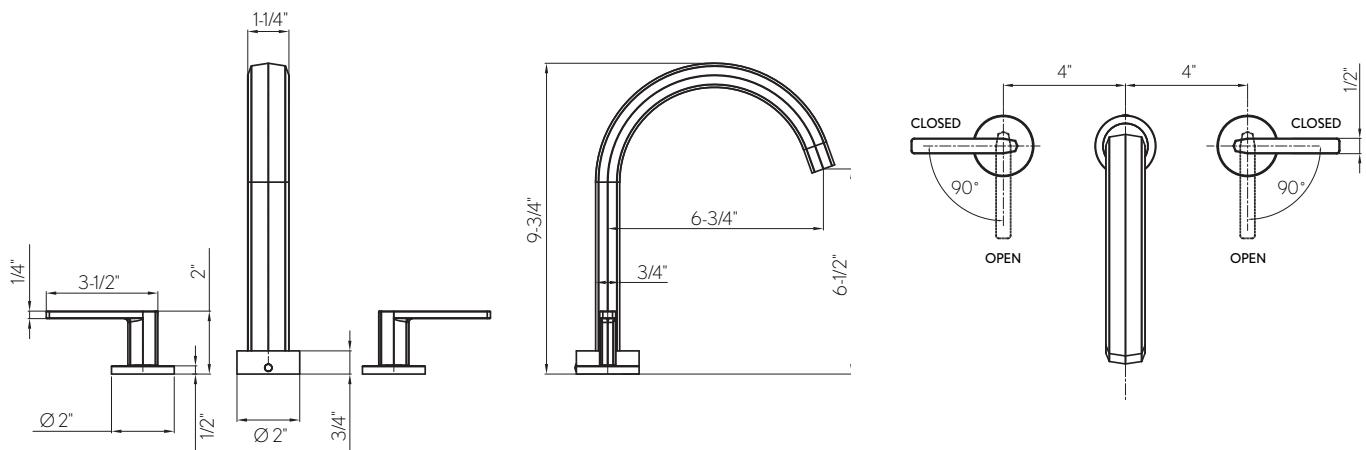


Basin Faucets

NEW! HEIR WIDESPREAD BASIN FAUCET

- Solid brass construction
- Fluhs quarter-turn ceramic disc cartridge
- Push drain assembly included
- Spout reach: 6-3/4"
- Spout swivel: Yes
- IAPMO listed
- CEC compliant

Brushed Brass	18-08-BB	\$1095
Polished Nickel	18-08-PN	\$1095



NEW! HEIR FLOOR-MOUNT THERMOSTATIC TUB FILLER WITH HANDSHOWER

- Solid brass construction
- Vernet thermostatic cartridge
- Single-function handshower with vacuum breaker and 60" hose
- Spout reach: 9"
- Height to spout: 35-1/4"
- Spout swivel: Yes
- Tub filler flow rate: 5.0 GPM
- Handshower flow rate: 2.0 GPM
- IAPMO listed
- Required rough sold separately: US-418ROUGH**

Brushed Brass	18-05-BB	\$2855
Polished Nickel	18-05-PN	\$2855

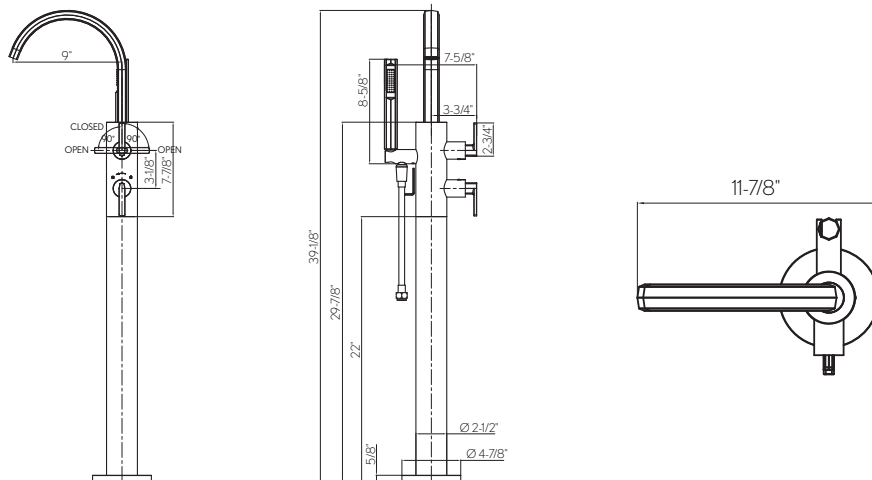


REQUIRED ROUGH

Rough for floor-mount single-hole tub filler
US-418ROUGH \$330



See [page 407](#) for detailed information



Concealed shower valves

NEW! HEIR THERMOSTATIC VALVE TRIM

Temperature control only;
volume control(s) sold separately

Required rough features Vernet thermostatic cartridge

The thermostatic valve senses and controls the actual water temperature and blends hot water with cold water to ensure constant, safe temperatures, preventing scalding

Integral shut-off return valve with filters to prevent cross flow

Flow rate: 12 GPM at 45 PSI

IAPMO listed

Required rough sold separately: TH-RGH

Brushed Brass	18-16-T-BB	\$385
Polished Nickel	18-16-T-PN	\$385

TEMPERATURE CONTROL ONLY

This valve is a mixer only and requires separate volume control(s).

See page 418 for detailed information



REQUIRED ROUGH

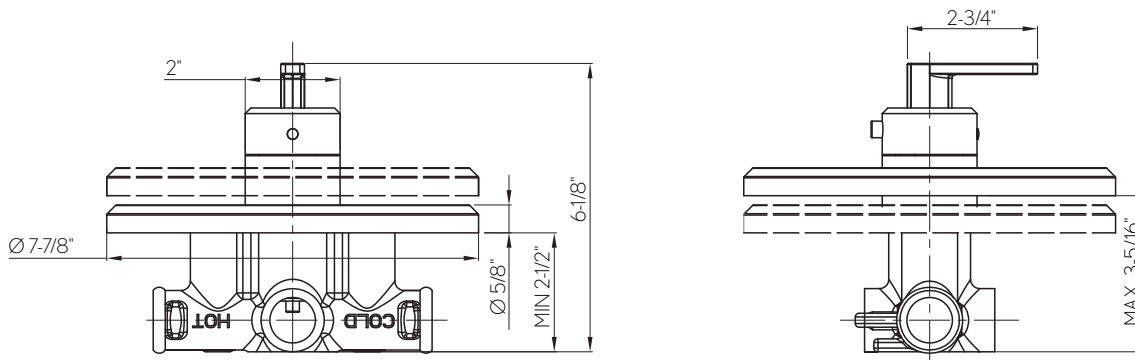
3/4" thermostatic valve rough
TH-RGH **\$400**



Extension kit:

Polished Nickel	9Q1172RN-PN	\$120
Brushed Brass	9Q1172-BB	\$120

See page 415 for detailed information



NEW! HEIR VOLUME CONTROL TRIM

Trim is compatible with the rough for the volume control

Volume control regulates on/off and volume functions for a single component in a shower system

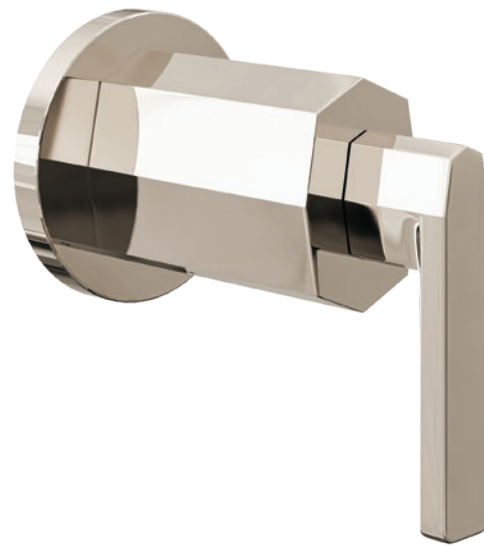
Volume control features Fluhs quarter-turn ceramic disc cartridge

IAPMO listed

Required rough sold separately:

VC-RGH - Volume control

Brushed Brass	18-17-T-BB	\$195
Polished Nickel	18-17-T-PN	\$195



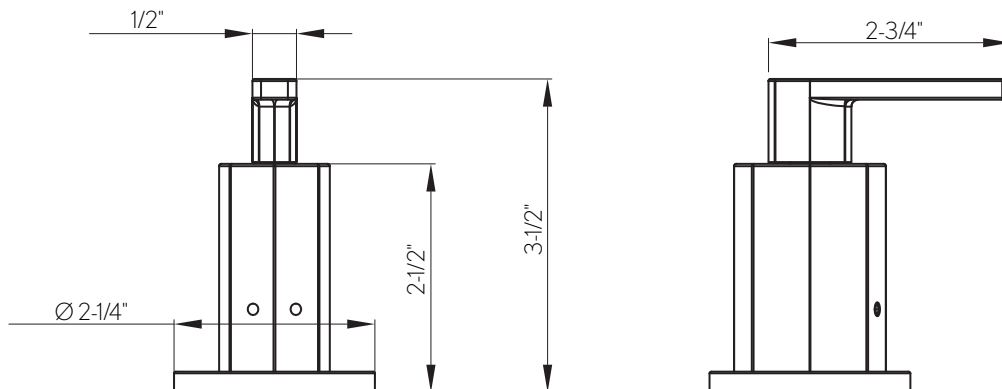
REQUIRED ROUGH

3/4" Volume control rough
VC-RGH \$120



Extension kit:
5T1C0319NT + 5P0C0582NT \$47

See [page 418](#) for detailed information



Concealed shower valves

NEW! HEIR 1000 THERMOSTATIC VALVE TRIM

Single integrated volume control for 1 water outlet

Required rough features Vernet thermostatic cartridge and Fluhs volume control cartridge

The thermostatic valve senses and controls the actual water temperature and blends hot water with cold water to ensure constant, safe temperatures, preventing scalding

Integral shut-off return valve with filters to prevent cross flow

Flow rate: 12 GPM at 60 PSI

Available only with lever handles

Required rough sold separately: US-WLBP1000R

Brushed Brass	18-1000-T-BB	\$525
Polished Nickel	18-1000-T-PN	\$525

REQUIRED ROUGH

1000 3/4" thermostatic rough with single integrated volume control

US-WLBP1000R \$395



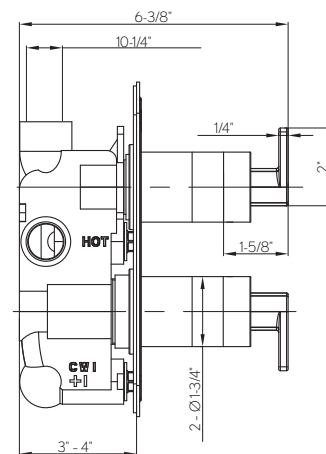
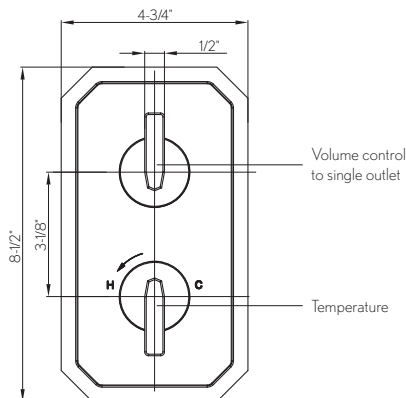
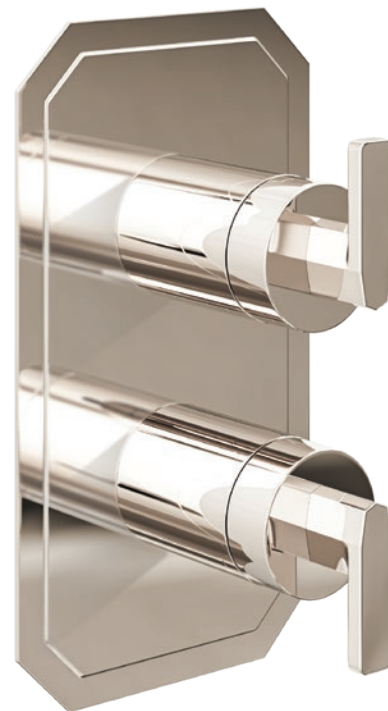
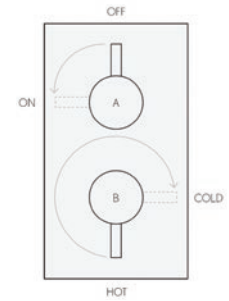
Extension kit:

Brushed Brass	US-EK101525BB	\$240
Polished Nickel	US-EK101525N	\$220

See page 408 for detailed information

1 FUNCTION

A - Volume control
B - Temperature



NEW! HEIR 1500 THERMOSTATIC VALVE TRIM

Integrated volume control/diverter for 2 water outlets
 Required rough features Vernet thermostatic cartridge

The thermostatic valve senses and controls the actual water temperature and blends hot water with cold water to ensure constant, safe temperatures, preventing scalding

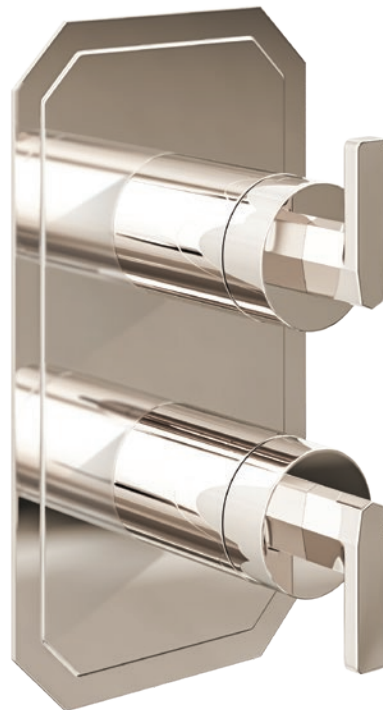
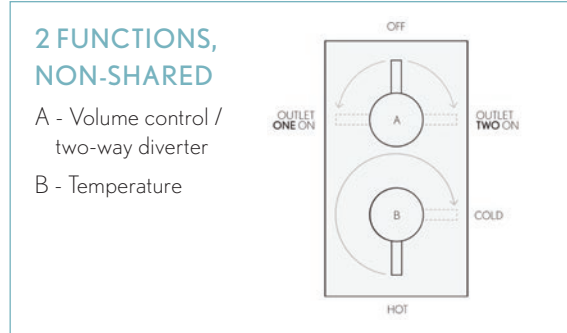
Integral shut-off return valve with filters to prevent cross flow

Flow rate: 11 GPM at 60 PSI

Available only with lever handles

Required rough sold separately: US-WLBP1500R

Brushed Brass	18-1500-T-BB	\$525
Polished Nickel	18-1500-T-PN	\$525



REQUIRED ROUGH

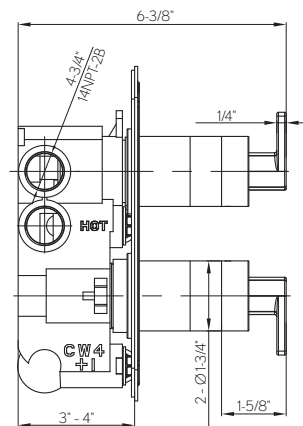
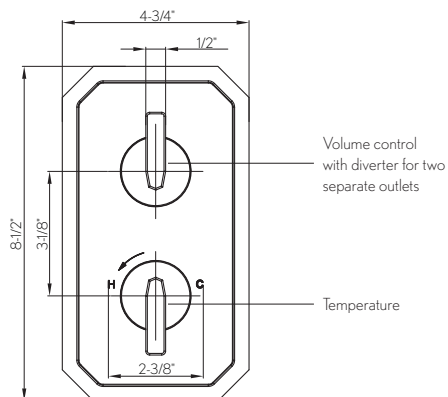
1500 3/4" thermostatic rough with volume control/diverter
US-WLBP1500R \$495



Extension kit:

Brushed Brass	US-EK101525BB	\$240
Polished Nickel	US-EK101525N	\$220

See [page 409](#) for detailed information



Concealed shower valves

NEW! HEIR 2000 THERMOSTATIC VALVE TRIM

Two integrated volume controls for 2 water outlets
 Required rough features Vernet thermostatic cartridge
 The thermostatic valve senses and controls the actual water temperature and blends hot water with cold water to ensure constant, safe temperatures, preventing scalding
 Integral shut-off return valve with filters to prevent cross flow
 Flow rate: 13 GPM at 60 PSI
 IAPMO listed
Required rough sold separately: US-WLBP2000R

- Brushed Brass **18-2000-T-BB** **\$695**
- Polished Nickel **18-2000-T-PN** **\$695**

REQUIRED ROUGH

2000 3/4" thermostatic rough with two integrated volume controls
US-WLBP2000R \$495



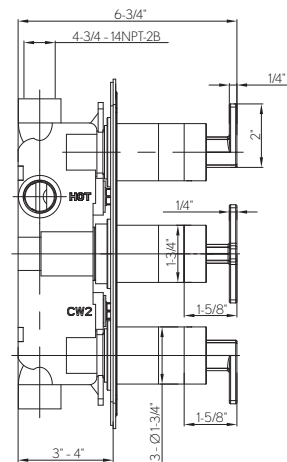
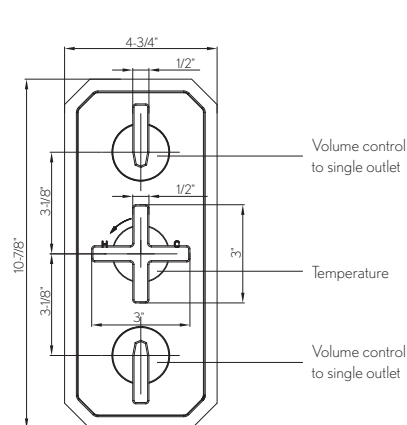
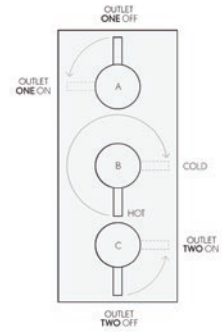
Extension kit:

- Brushed Brass **US-EK2000BB** **\$360**
- Polished Nickel **US-EK2000N** **\$330**

See page 410 for detailed information

2 FUNCTIONS, SHARED

- A - Volume control
- B - Temperature
- C - Volume control



NEW! HEIR 2500 THERMOSTATIC VALVE TRIM WITH INTEGRATED VOLUME CONTROL/THREE-WAY DIVERTER

Integrated volume control/3-way diverter for 3 water outlets

Required rough features Vernet thermostatic cartridge

The thermostatic valve senses and controls the actual water temperature and blends hot water with cold water to ensure constant, safe temperatures, preventing scalding

Integral shut-off return valve with filters to prevent cross flow

Flow rate: 12 GPM at 60 PSI

Available only with cross handles

IAPMO listed

Required rough sold separately: US-WLBP2500R

Brushed Brass	18-2500-T-BB	\$525
Polished Nickel	18-2500-T-PN	\$525

REQUIRED ROUGH

2500 3/4" thermostatic rough with integrated volume control/ three-way diverter

US-WLBP2500R \$595



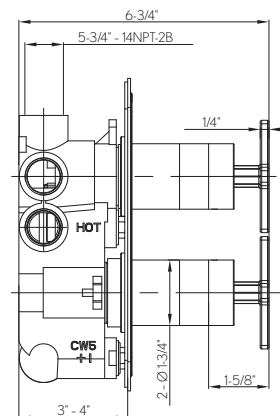
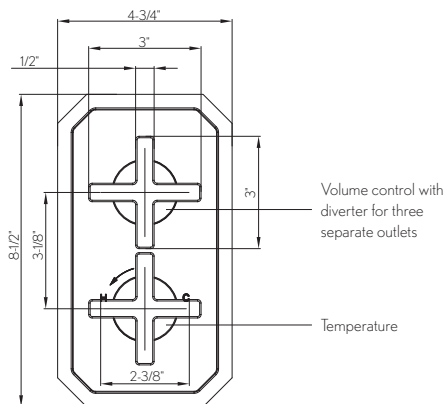
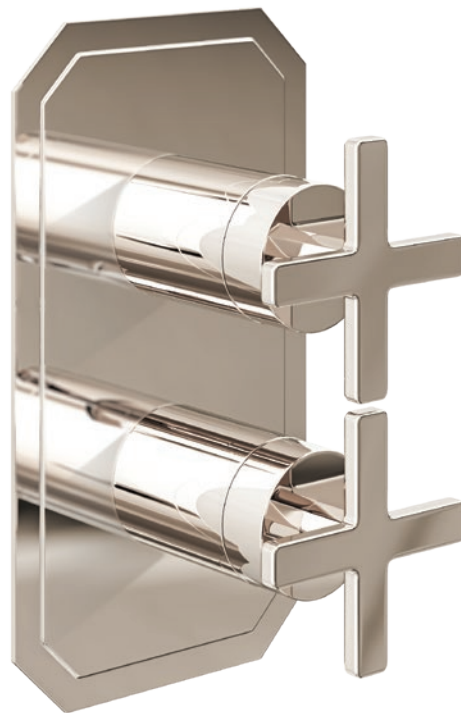
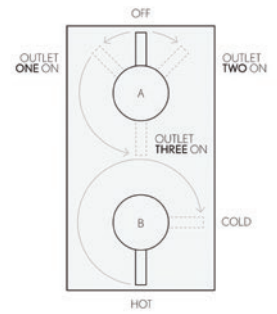
Extension kit:

Brushed Brass	US-EK101525BB	\$240
Polished Nickel	US-EK101525N	\$220

See page 411 for detailed information

3 FUNCTIONS, NON-SHARED

- A - Volume control/ three-way diverter
- B - Temperature



Concealed shower valves

NEW! HEIR 3000 THERMOSTATIC VALVE TRIM

Integrated volume control and volume control/2-way diverter for 3 water outlets

Required rough features Vernet thermostatic cartridge

The thermostatic valve senses and controls the actual water temperature and blends hot water with cold water to ensure constant, safe temperatures, preventing scalding

Integral shut-off return valve with filters to prevent cross flow

Flow rate: 12 GPM at 60 PSI

IAPMO listed

Required rough sold separately: US-WLBP3000R

Brushed Brass	18-3000-T-BB	\$695
Polished Nickel	18-3000-T-PN	\$695

REQUIRED ROUGH

3000 3/4" thermostatic rough with integrated volume control/ two-way diverter

US-WLBP3000R \$595



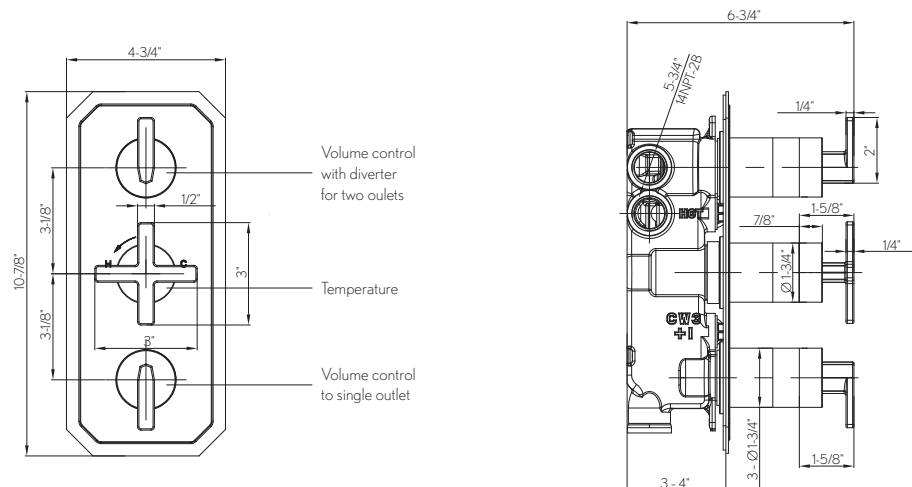
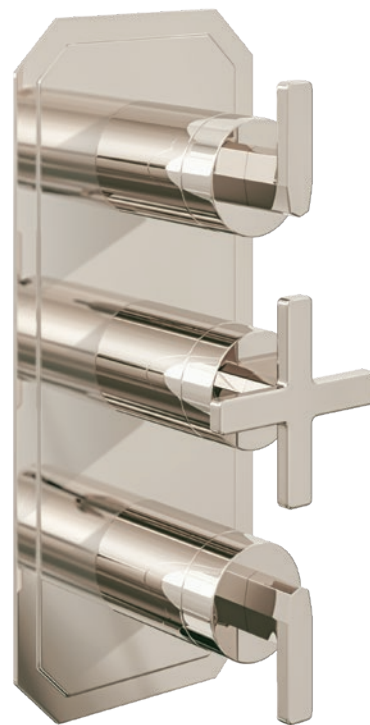
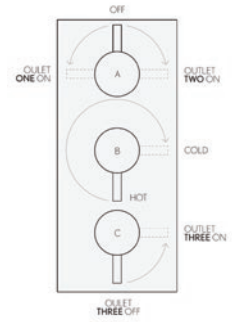
Extension kit:

Brushed Brass	US-EK2000BB	\$360
Polished Nickel	US-EK2000N	\$330

See page 412 for detailed information

**3 FUNCTIONS,
2 OUTLETS SHARED**

- A - Volume control / two-way diverter
- B - Temperature
- C - Volume control



NEW! HEIR DIVERTER TRIM

Trim is compatible with the two-way and three-way diverter roughs

Diverter alternate water flow between two or three water outlets

Note: Diverter do not start, stop or control water flow

Diverter feature Kerox diverter cartridge

IAPMO listed

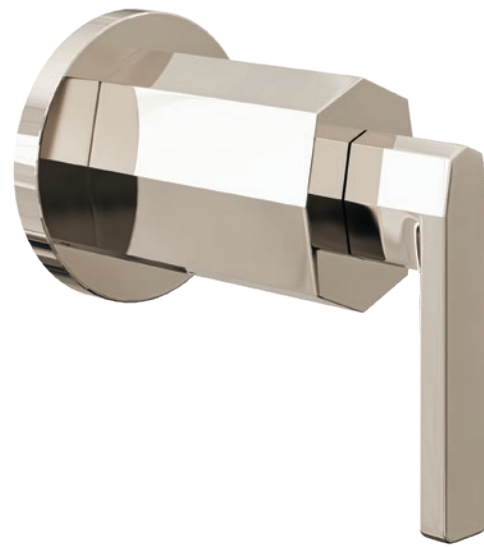
Required rough sold separately:

DIV-RGH - Two-way diverter

or

3DV-RGH - Three-way diverter

Brushed Brass	18-17-T-BB	\$195
Polished Nickel	18-17-T-PN	\$195



REQUIRED ROUGH

3/4" Two-way diverter rough

DIV-RGH \$240

or

1/2" Three-way diverter rough

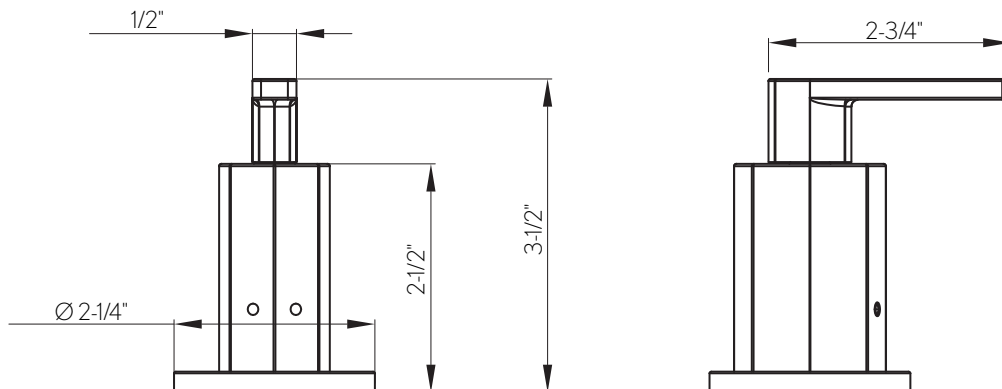
3DV-RGH \$200



Extension kit:

5T1C0319NT + 5P0C0582NT \$47

See [page 418](#) for detailed information

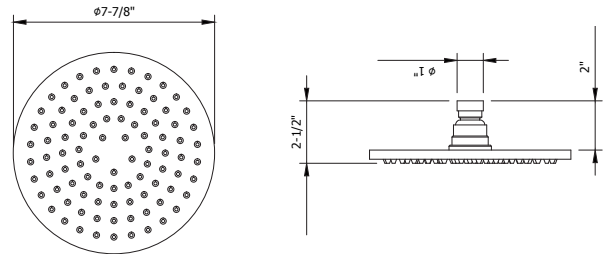


Shower Heads

MODERN 8" RAIN HEAD

- _____ Solid brass
- _____ Single rain spray
- _____ 7-7/8" diameter
- _____ EasyClean anti-limescale nozzles
- _____ Swivel: Yes
- _____ Flow rate: 2.0 GPM
- _____ Inlet connection: G 1/2" (compatible with 1/2" NPT)
- _____ IAPMO listed, Massachusetts code approved

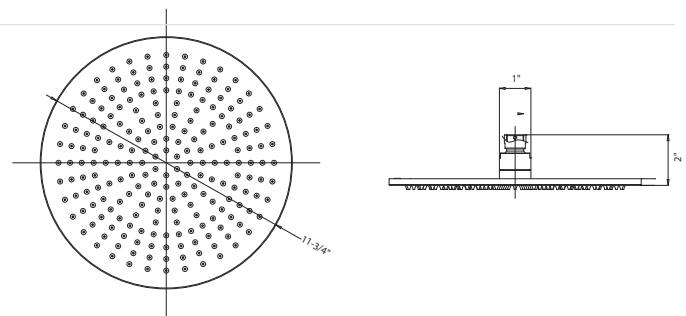
Polished Nickel	US-PRO200N	\$415
Brushed Brass	US-PRO200BB	\$545



MODERN 12" RAIN HEAD

- _____ Solid brass
- _____ Single rain spray
- _____ 11-3/4" diameter
- _____ EasyClean anti-limescale nozzles
- _____ Swivel: Yes
- _____ Flow rate: 2.5 GPM
- _____ Inlet connection: G 1/2" (compatible with 1/2" NPT)
- _____ IAPMO listed, Massachusetts code approved

Polished Nickel	US-PRO300N	\$765
Brushed Brass	US-PRO300BB	\$875*



6-WEEK LEADTIME

NEW! HEIR HANDSHOWER RAIL SET

Set includes handshower, hose and slide rail

Single-function spray

Handshower features EasyClean anti-limescale nozzles

Handshower includes vacuum breaker and flow restrictor

29-3/4" adjustable bar with bracket

Flow rate: 2.0 GPM

IAPMO listed

Required wall outlet sold separately: 18-33

Brushed Brass	18-31-BB	\$535
Polished Nickel	18-31-PN	\$535



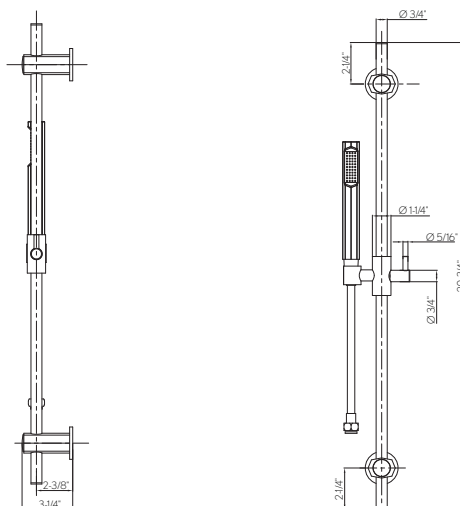
REQUIRED WALL OUTLET

Heir wall outlet

Brushed Brass	18-33-BB	\$135
Polished Nickel	18-33-PN	\$135



See [page 22](#) for detailed information

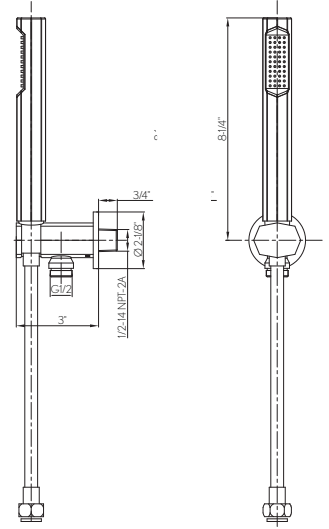


Outlet, tub spout, and handshowers

NEW! HEIR HANDSHOWER SET WITH HOSE AND BRACKET WITH OUTLET

- Single spray
- EasyClean anti-limescale nozzles
- 60" decorative metal hose
- Wall bracket includes vacuum breaker
- Flow rate: 2.0 GPM
- Inlet connection: 1/2" NPT male
- IAPMO listed

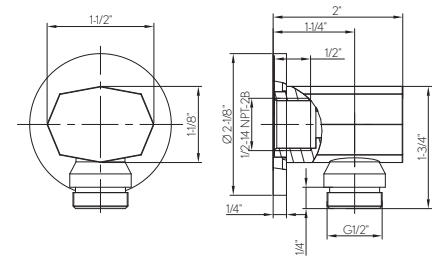
Brushed Brass	18-36-BB	\$375
Polished Nickel	18-36-PN	\$375



NEW! HEIR WALL OUTLET

- Includes vacuum breaker
- Inlet connection: 1/2" NPT female
- IAPMO listed

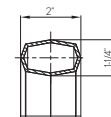
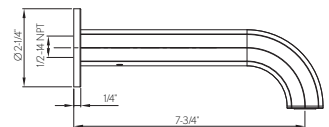
Brushed Brass	18-33-BB	\$135
Polished Nickel	18-33-PN	\$135



NEW! HEIR WALL TUB SPOUT

- Solid brass construction
- Spout reach: 7-3/4"
- Inlet connection: 1/2" NPT female
- IAPMO listed

Brushed Brass	18-WTS-BB	\$395
Polished Nickel	18-WTS-PN	\$395

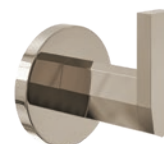


NEW! HEIR PAPER HOLDER

Brushed Brass	18-58-BB	\$175
Polished Nickel	18-58-PN	\$175

**NEW!** HEIR ROBE HOOK

Brushed Brass	18-51-BB	\$125
Polished Nickel	18-51-PN	\$125

**NEW!** HEIR TOWEL RING

Brushed Brass	18-55-BB	\$175
Polished Nickel	18-55-PN	\$175

**NEW!** HEIR 24" TOWEL BAR

Brushed Brass	18-66-BB	\$355
Polished Nickel	18-66-PN	\$355





Heir Handshower Rail Set in Polished Nickel (18-31-PN)
Heir Thermostatic Valve Trim in Polished Nickel (18-16-T-PN)
Heir Volume Control Trim in Polished Nickel (18-17-T-PN)



Heir Floor-Mount Thermostatic Tub Filler with Handshower
in Polished Nickel (18-05-PN)





Heir Floor-mount Thermostatic Tub Filler with Handshower
in Polished Nickel (18-05-PN)



UNION



PRECISION BRASSWARE, CAST IN ITALY

Inspired by iconic industrial forms and renowned Italian artisanry, UNION sets a new standard for contemporary brassware engineering, style and performance.

Each component is precision-machined, cast, polished and perfected to offer an elevated bathing experience.

Born of innovation. Built to exceed expectation.



AVAILABLE FINISHES



Polished Chrome



Unlacquered Brass



Matte Black*



Brushed Black Chrome



Brushed Nickel

HANDLE OPTIONS



Metal Lever



Red Lever



Round



Red Round

*12-WEEK LEADTIME

UNION SINGLE-HOLE BASIN FAUCET

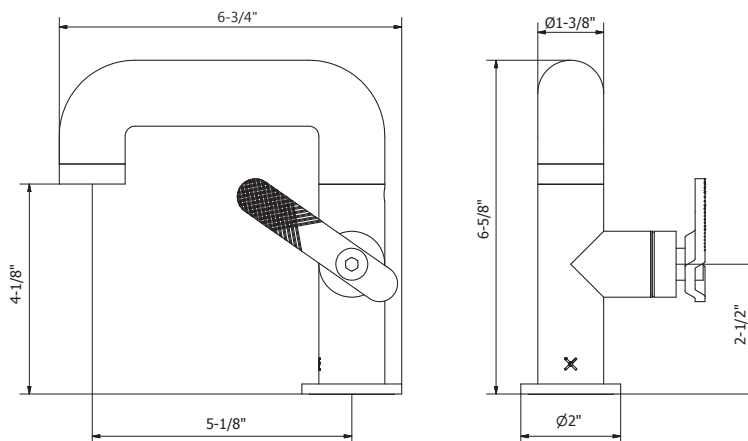
- _____ Solid brass construction
- _____ Kerox ceramic disc cartridge
- _____ Spout reach: 5-1/8"
- _____ Spout swivel: No
- _____ Massachusetts code approved,
IAPMO listed & ADA compliant
- _____ Push drain assembly included

Metal Lever

Polished Chrome	US-UN110DPC_LV	\$1045
Unlacquered Brass	US-UN110DPB_LV	\$1045
Matte Black	US-UN110DPMB_LV	\$1295*
Brushed Black Chrome	US-UN110DPBBC_LV	\$1395
Brushed Nickel	US-UN110DPBN_LV	\$1395

Red Lever

Polished Chrome	US-UN110DPC_RLV	\$1045
Unlacquered Brass	US-UN110DPB_RLV	\$1045
Matte Black	US-UN110DPMB_RLV	\$1295*
Brushed Black Chrome	US-UN110DPBBC_RLV	\$1395
Brushed Nickel	US-UN110DPBN_RLV	\$1395



*12-WEEK LEADTIME

UNION WALL-MOUNT SINGLE-HOLE BASIN FAUCET

- Solid brass construction
- Kerox ceramic disc cartridge
- Spout reach: 8"
- Spout swivel: No
- Massachusetts code approved, IAPMO listed & ADA compliant
- Rough included
- Push drain assembly sold separately

Metal Lever

Polished Chrome	US-UN111WNC_LV	\$1165
Unlacquered Brass	US-UN111WNB_LV	\$1165
Matte Black	US-UN111WNMB_LV	\$1425*
Brushed Black Chrome	US-UN111WNBBC_LV	\$1565
Brushed Nickel	US-UN111WNB_NL	\$1565

Red Lever

Polished Chrome	US-UN111WNC_RLV	\$1165
Unlacquered Brass	US-UN111WNB_RLV	\$1165
Matte Black	US-UN111WNMB_RLV	\$1425*
Brushed Black Chrome	US-UN111WNBBC_RLV	\$1565
Brushed Nickel	US-UN111WNB_NL_RLV	\$1565



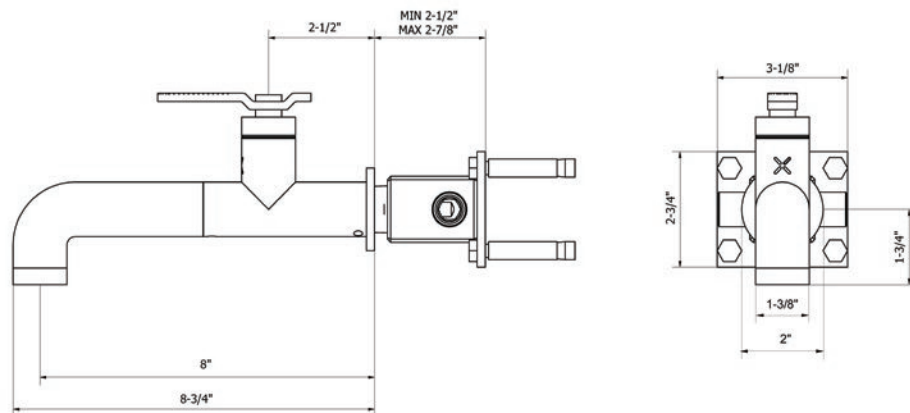
RECOMMENDED WASTE

Basin push drain with overflow

Polished Chrome	US-BSW0117C	\$95
Unlacquered Brass	US-BSW906B	\$125
Matte Black	US-BSW0117MB	\$135
Brushed Black Chrome	US-BSW906BBC	\$165
Brushed Nickel	US-BSW906BN	\$165



See page 398 for detailed information



***12-WEEK LEADTIME**

UNION VESSEL FAUCET

Solid brass construction

Kerox ceramic disc cartridge

Spout reach: 6-1/4"

Spout swivel: No

Massachusetts code approved, IAPMO listed & ADA compliant

Push drain assembly sold separately

Metal Lever

Polished Chrome	US-UN112DNC_LV	\$1065
Unlacquered Brass	US-UN112DNB_LV	\$1065
Matte Black	US-UN112DNMB_LV	\$1325*
Brushed Black Chrome	US-UN112DNBBC_LV	\$1425
Brushed Nickel	US-UN112DNBN_LV	\$1425

Red Lever

Polished Chrome	US-UN112DNC_RLV	\$1065
Unlacquered Brass	US-UN112DNB_RLV	\$1065
Matte Black	US-UN112DNMB_RLV	\$1325*
Brushed Black Chrome	US-UN112DNBBC_RLV	\$1425
Brushed Nickel	US-UN112DNBN_RLV	\$1425



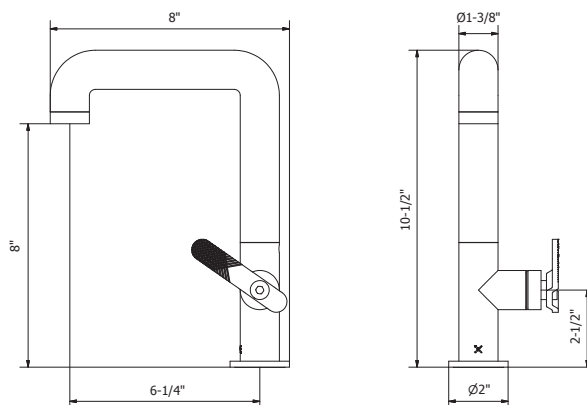
RECOMMENDED WASTE

Basin push drain with overflow

Polished Chrome	US-BSW0117C	\$95
Unlacquered Brass	US-BSW906B	\$125
Matte Black	US-BSW0117MB	\$135
Brushed Black Chrome	US-BSW906BBC	\$165
Brushed Nickel	US-BSW906BN	\$165



See page 398 for detailed information



*12-WEEK LEADTIME

UNION WALL-MOUNT WIDESPREAD BASIN FAUCET TRIM WITH LEVER HANDLES

Solid brass construction
 Flühs quarter-turn ceramic disc cartridges
 Spout reach: 7-1/4" - 8"
 Spout swivel: No
 Massachusetts code approved & IAPMO listed
 Push drain assembly sold separately
Required rough sold separately: US-130ROUGH

Metal Lever

Polished Chrome	US-UN131WNC_LV	\$895
Unlacquered Brass	US-UN131WNB_LV	\$895
Matte Black	US-UN131WNMB_LV	\$1125*
Brushed Black Chrome	US-UN131WNBBC_LV	\$1195
Brushed Nickel	US-UN131WNB_N_LV	\$1195

Red Lever

Polished Chrome	US-UN131WNC_RLV	\$895
Unlacquered Brass	US-UN131WNB_RLV	\$895
Matte Black	US-UN131WNMB_RLV	\$1125*
Brushed Black Chrome	US-UN131WNBBC_RLV	\$1195
Brushed Nickel	US-UN131WNB_N_RLV	\$1195



REQUIRED ROUGH

Rough for three-hole wall-mount basin faucet
US-130ROUGH

\$330

Extension Kit:
US-130ROUGH-EXT

\$95



See page 406 for detailed information

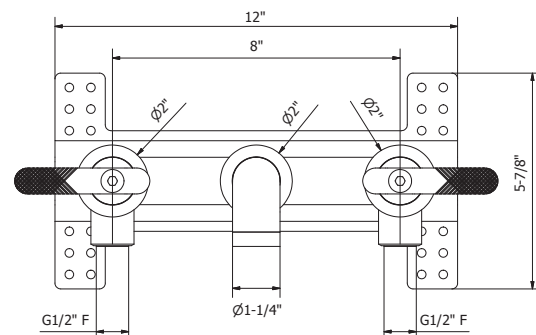
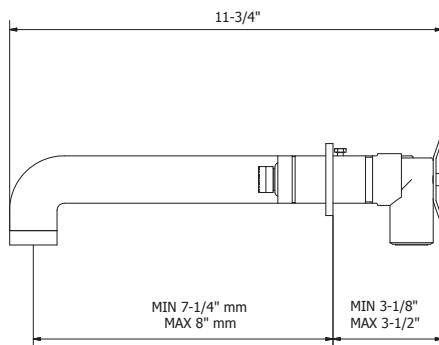
RECOMMENDED WASTE

Basin push drain with overflow

Polished Chrome	US-BSW0117C	\$95
Unlacquered Brass	US-BSW906B	\$125
Matte Black	US-BSW0117MB	\$135

Brushed Black Chrome	US-BSW906BBC	\$165
Brushed Nickel	US-BSW906BN	\$165

See page 398 for detailed information



***12-WEEK LEADTIME**

UNION WALL-MOUNT WIDESPREAD BASIN FAUCET TRIM WITH ROUND HANDLES

Solid brass construction
 Flühs quarter-turn ceramic disc cartridges
 Spout reach: 7-1/4" - 8"
 Spout swivel: No
 Massachusetts code approved & IAPMO listed
 Push drain assembly sold separately
Required rough sold separately: US-130ROUGH



Round

Polished Chrome	US-UN131WNC_RND	\$995
Unlacquered Brass	US-UN131WNB_RND	\$995
Matte Black	US-UN131WNMB_RND	\$1225*
Brushed Black Chrome	US-UN131WNBBC_RND	\$1295
Brushed Nickel	US-UN131WNB_N_RND	\$1295

Red Round

Polished Chrome	US-UN131WNC_RR	\$995
Unlacquered Brass	US-UN131WNB_RR	\$995
Matte Black	US-UN131WNMB_RR	\$1225*
Brushed Black Chrome	US-UN131WNBBC_RR	\$1295
Brushed Nickel	US-UN131WNB_N_RR	\$1295

REQUIRED ROUGH

Rough for three-hole wall-mount basin faucet
US-130ROUGH

\$330



Extension Kit:
US-130ROUGH-EXT

\$95

See page 406 for detailed information

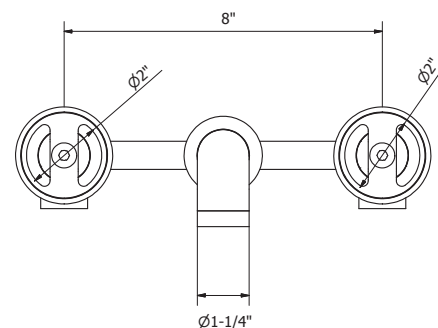
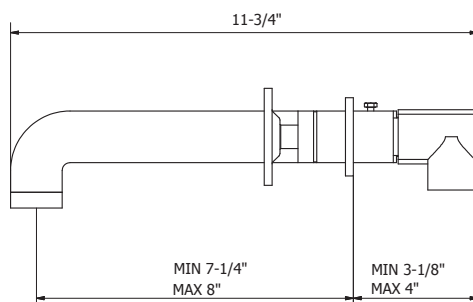
RECOMMENDED WASTE

Basin push drain with overflow

Polished Chrome	US-BSW0117C	\$95
Unlacquered Brass	US-BSW906B	\$125
Matte Black	US-BSW0117MB	\$135

Brushed Black Chrome	US-BSW906BBC	\$165
Brushed Nickel	US-BSW906BN	\$165

See page 398 for detailed information



*12-WEEK LEADTIME

UNION WIDESPREAD BASIN FAUCET WITH LEVER HANDLES

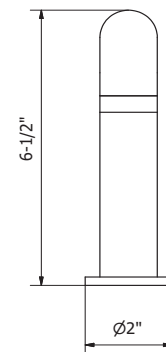
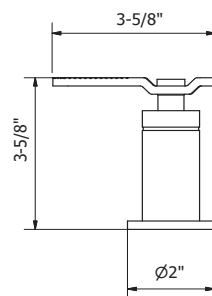
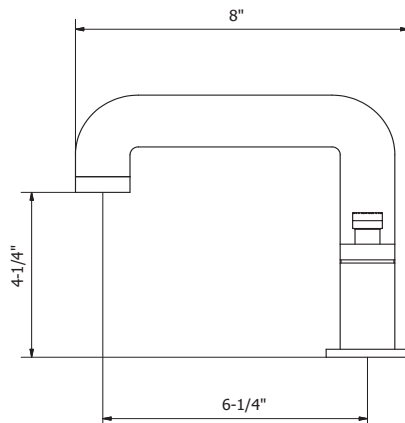
- Solid brass construction
- Flühs quarter-turn ceramic disc cartridges
- Spout reach: 6-1/4"
- Spout swivel: No
- Massachusetts code approved & IAPMO listed
- Push drain assembly included

Metal Lever

Polished Chrome	US-UN135DPC_LV	\$1465
Unlacquered Brass	US-UN135DPB_LV	\$1465
Matte Black	US-UN135DPMB_LV	\$1845*
Brushed Black Chrome	US-UN135DPBBC_LV	\$1985
Brushed Nickel	US-UN135DPBN_LV	\$1985

Red Lever

Polished Chrome	US-UN135DPC_RLV	\$1465
Unlacquered Brass	US-UN135DPB_RLV	\$1465
Matte Black	US-UN135DPMB_RLV	\$1845*
Brushed Black Chrome	US-UN135DPBBC_RLV	\$1985
Brushed Nickel	US-UN135DPBN_RLV	\$1985



***12-WEEK LEADTIME**

UNION WIDESPREAD BASIN FAUCET WITH ROUND HANDLES

- Solid brass construction
- Flühs quarter-turn ceramic disc cartridges
- Spout reach: 6-1/4"
- Spout swivel: No
- Massachusetts code approved & IAPMO listed
- Push drain assembly included

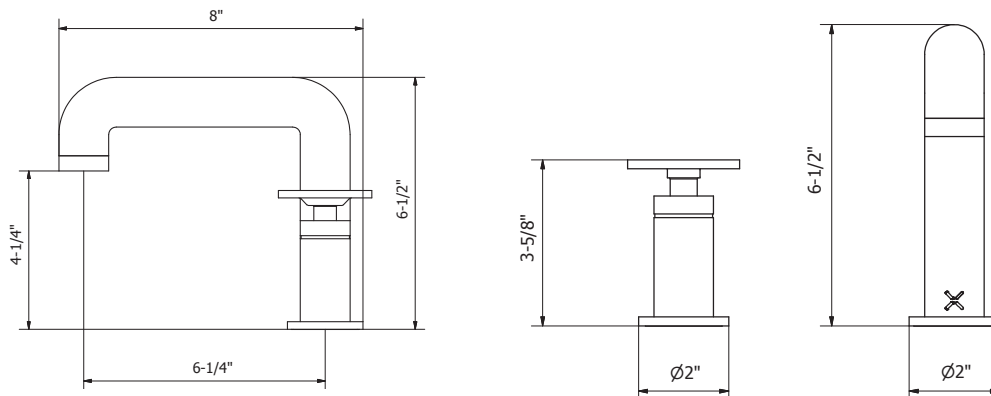


Round

Polished Chrome	US-UN135DPC_RND	\$1565
Unlacquered Brass	US-UN135DPB_RND	\$1565
Matte Black	US-UN135DPMB_RND	\$1945*
Brushed Black Chrome	US-UN135DPBBC_RND	\$2085
Brushed Nickel	US-UN135DPBN_RND	\$2085

Red Round

Polished Chrome	US-UN135DPC_RR	\$1565
Unlacquered Brass	US-UN135DPB_RR	\$1565
Matte Black	US-UN135DPMB_RR	\$1945*
Brushed Black Chrome	US-UN135DPBBC_RR	\$2085
Brushed Nickel	US-UN135DPBN_RR	\$2085



***12-WEEK LEADTIME**

UNION FLOOR-MOUNT TUB FILLER

- Solid brass construction
- Flühs quarter-turn ceramic disc cartridges
- Single-function handshower with vacuum breaker and 60" hose
- Spout reach: 9"
- Height to spout: 32-1/2"
- Spout swivel: Yes
- Tub filler flow rate: 10 GPM
- Handshower flow rate: 1.75 GPM
- Massachusetts code approved,
IAPMO listed & WaterSense compliant
- Required rough sold separately:** US-399ROUGH
- Optional floor plate sold separately:** US-UNPLATE

Metal Lever

Polished Chrome	US-UN399TFC_LV	\$4725
Unlacquered Brass	US-UN399TFB_LV	\$4725
Matte Black	US-UN399TFMB_LV	\$5895*
Brushed Black Chrome	US-UN399TFBBC_LV	\$6375
Brushed Nickel	US-UN399TFBN_LV	\$6375

Red Lever

Polished Chrome	US-UN399TFC_RLV	\$4725
Unlacquered Brass	US-UN399TFB_RLV	\$4725
Matte Black	US-UN399TFMB_RLV	\$5895*
Brushed Black Chrome	US-UN399TFBBC_RLV	\$6375
Brushed Nickel	US-UN399TFN_RLV	\$6375

Metal Round

Polished Chrome	US-UN399TFC_RND	\$4825
Unlacquered Brass	US-UN399TFB_RND	\$4825
Matte Black	US-UN399TFMB_RND	\$5995*
Brushed Black Chrome	US-UN399TFBBC_RND	\$6475
Brushed Nickel	US-UN399TFBN_RND	\$6475

Red Round

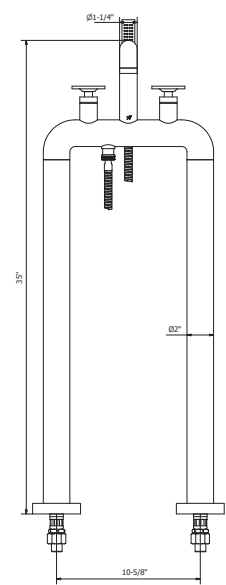
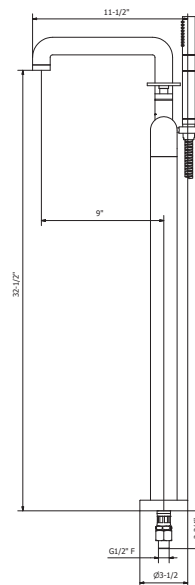
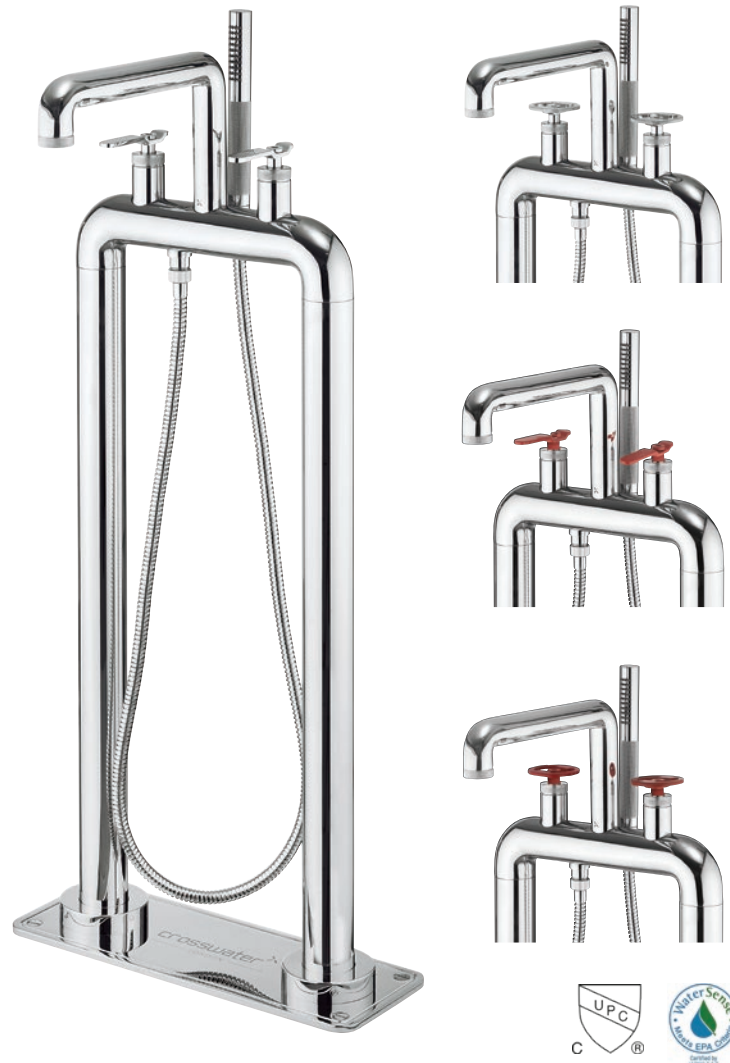
Polished Chrome	US-UN399TFC_RR	\$4825
Unlacquered Brass	US-UN399TFB_RR	\$4825
Matte Black	US-UN399TFMB_RR	\$5995*
Brushed Black Chrome	US-UN399TFBBC_RR	\$6475
Brushed Nickel	US-UN399TFBN_RR	\$6475

REQUIRED ROUGH

Rough for floor-mount tub filler
US-399ROUGH \$440



See page 407 for detailed information



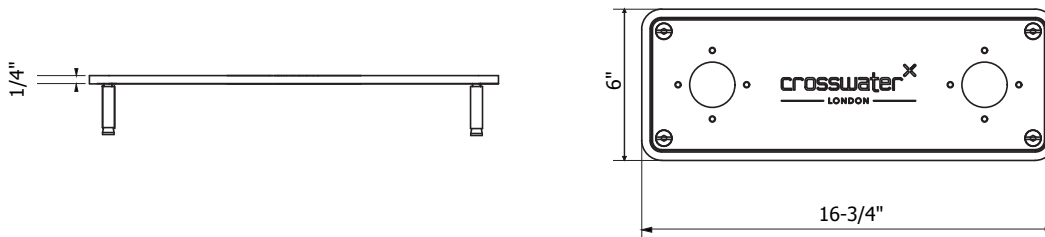
***12-WEEK LEADTIME**

UNION FLOOR PLATE FOR FLOOR-MOUNT TUB FILLER

Optional floor plate for use with Union floor-mount tub filler

Size: 16-3/8" x 6"

Polished Chrome	US-UNPLATEC	\$895
Unlacquered Brass	US-UNPLATEB	\$895
Matte Black	US-UNPLATEMB	\$1075*
Brushed Black Chrome	US-UNPLATEBBC	\$1125
Brushed Nickel	US-UNPLATEBN	\$1125



*12-WEEK LEADTIME

UNION 1000 THERMOSTATIC VALVE TRIM

Single integrated volume control for 1 water outlet

Required rough features Vernet thermostatic cartridge and Flühs volume control cartridge

The thermostatic valve senses and controls the actual water temperature and blends hot water with cold water to ensure constant, safe temperatures, preventing scalding.

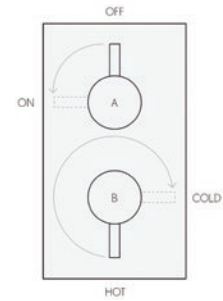
Integral shut-off return valve with filters to prevent cross flow

Flow rate: 12 GPM at 60 PSI

Required rough sold separately: US-WLBP1000R

1 FUNCTION

A - Volume control
B - Temperature



Metal Lever and Round

Polished Chrome	US-UNTH2HC_LVRND	\$895
Unlacquered Brass	US-UNTH2HB_LVRND	\$895
Matte Black	US-UNTH2HMB_LVRND	\$1095*
Brushed Black Chrome	US-UNTH2HBBC_LVRND	\$1195
Brushed Nickel	US-UNTH2HBN_LVRND	\$1195

Metal Round

Polished Chrome	US-UNTH2HC_RND	\$945
Unlacquered Brass	US-UNTH2HB_RND	\$945
Matte Black	US-UNTH2HMB_RND	\$1145*
Brushed Black Chrome	US-UNTH2HBBC_RND	\$1245
Brushed Nickel	US-UNTH2HBN_RND	\$1245

Red Lever and Round

Polished Chrome	US-UNTH2HC_RLVRR	\$895
Unlacquered Brass	US-UNTH2HB_RLVRR	\$895
Matte Black	US-UNTH2HMB_RLVRR	\$1095*
Brushed Black Chrome	US-UNTH2HBBC_RLVRR	\$1195
Brushed Nickel	US-UNTH2HBN_RLVRR	\$1195

Red Round

Polished Chrome	US-UNTH2HC_RR	\$945
Unlacquered Brass	US-UNTH2HB_RR	\$945
Matte Black	US-UNTH2HMB_RR	\$1145*
Brushed Black Chrome	US-UNTH2HBBC_RR	\$1245
Brushed Nickel	US-UNTH2HBN_RR	\$1245

REQUIRED ROUGH

1000 3/4" thermostatic rough with single integrated volume control
US-WLBP1000R \$395

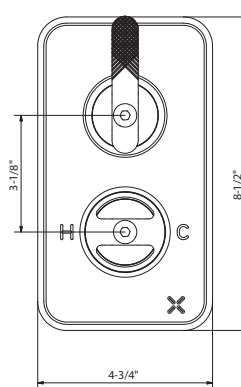
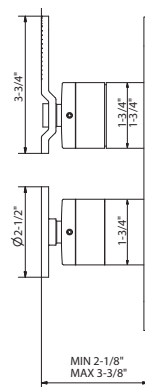
Extension Kit:

Polished Chrome	US-EK101525C	\$170
Matte Black	US-EK101525MB	\$190

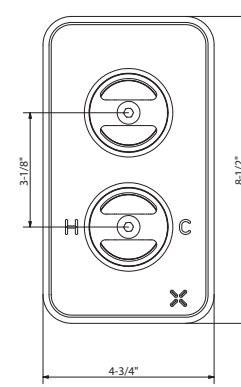
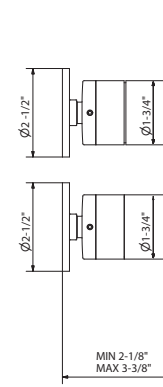
See page 408 for detailed information



Lever and Round



Round



*12-WEEK LEADTIME

UNION 1500 THERMOSTATIC VALVE TRIM

Integrated volume control/diverter for 2 water outlets

Required rough features Vernet thermostatic cartridge

The thermostatic valve senses and controls the actual water temperature and blends hot water with cold water to ensure constant, safe temperatures, preventing scalding.

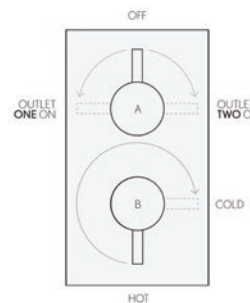
Integral shut-off return valve with filters to prevent cross flow

Flow rate: 11 GPM at 60 PSI

Required rough sold separately: US-WLBP1500R

2 FUNCTIONS, NON-SHARED

A - Volume control / two-way diverter
B - Temperature



Metal Lever and Round

Polished Chrome	US-UNTH2HC_LVRND	\$895
Unlacquered Brass	US-UNTH2HB_LVRND	\$895
Matte Black	US-UNTH2HMB_LVRND	\$1095*
Brushed Black Chrome	US-UNTH2HBBC_LVRND	\$1195
Brushed Nickel	US-UNTH2HBN_LVRND	\$1195

Metal Round

Polished Chrome	US-UNTH2HC_RND	\$945
Unlacquered Brass	US-UNTH2HB_RND	\$945
Matte Black	US-UNTH2HMB_RND	\$1145*
Brushed Black Chrome	US-UNTH2HBBC_RND	\$1245
Brushed Nickel	US-UNTH2HBN_RND	\$1245

Red Lever and Round

Polished Chrome	US-UNTH2HC_RLVRR	\$895
Unlacquered Brass	US-UNTH2HB_RLVRR	\$895
Matte Black	US-UNTH2HMB_RLVRR	\$1095*
Brushed Black Chrome	US-UNTH2HBBC_RLVRR	\$1195
Brushed Nickel	US-UNTH2HBN_RLVRR	\$1195

Red Round

Polished Chrome	US-UNTH2HC_RR	\$945
Unlacquered Brass	US-UNTH2HB_RR	\$945
Matte Black	US-UNTH2HMB_RR	\$1145*
Brushed Black Chrome	US-UNTH2HBBC_RR	\$1245
Brushed Nickel	US-UNTH2HBN_RR	\$1245

REQUIRED ROUGH

1500 3/4" thermostatic rough with integrated volume control/diverter for independent two-outlet use

US-WLBP1500R \$495

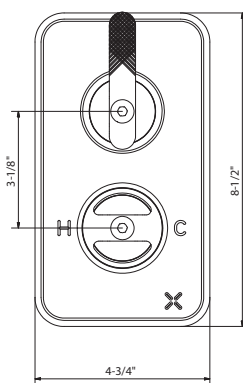
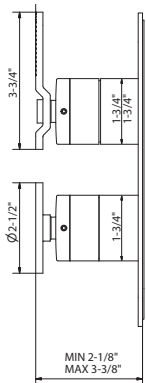
Extension Kit:

Polished Chrome	US-EK101525C	\$170
Matte Black	US-EK101525MB	\$190

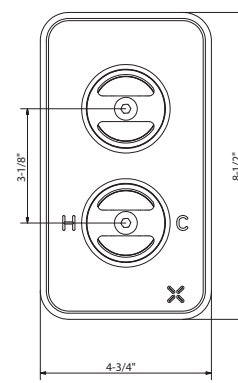
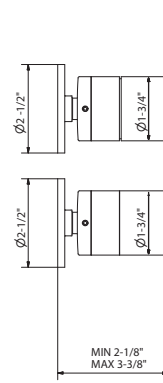
See page 409 for detailed information



Lever and Round



Round



*12-WEEK LEADTIME

UNION 2000 THERMOSTATIC VALVE TRIM

Two integrated volume controls for 2 water outlets

Required rough features Vernet thermostatic cartridge

The thermostatic valve senses and controls the actual water temperature and blends hot water with cold water to ensure constant, safe temperatures, preventing scalding.

Integral shut-off return valve with filters to prevent cross flow

Flow rate: 13 GPM at 60 PSI

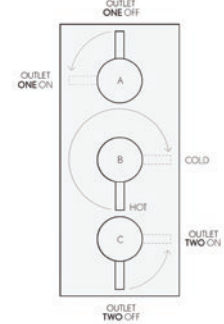
Required rough sold separately: US-WLBP2000R

2 FUNCTIONS, SHARED

A - Volume control

B - Temperature

C - Volume control



Metal Lever and Round

Polished Chrome	US-UNTH3HC_LV	\$1195
Unlacquered Brass	US-UNTH3HB_LV	\$1195
Matte Black	US-UNTH3HMB_LV	\$1485*
Brushed Black Chrome	US-UNTH3HBBC_LV	\$1625
Brushed Nickel	US-UNTH3HBN_LV	\$1625

Metal Round

Polished Chrome	US-UNTH3HC_RND	\$1295
Unlacquered Brass	US-UNTH3HB_RND	\$1295
Matte Black	US-UNTH3HMB_RND	\$1585*
Brushed Black Chrome	US-UNTH3HBBC_RND	\$1725
Brushed Nickel	US-UNTH3HBN_RND	\$1725

Red Lever and Round

Polished Chrome	US-UNTH3HC_RLV	\$1195
Unlacquered Brass	US-UNTH3HB_RLV	\$1195
Matte Black	US-UNTH3HMB_RLV	\$1485*
Brushed Black Chrome	US-UNTH3HBBC_RLV	\$1625
Brushed Nickel	US-UNTH3HBN_RLV	\$1625

Red Round

Polished Chrome	US-UNTH3HC_RR	\$1295
Unlacquered Brass	US-UNTH3HB_RR	\$1295
Matte Black	US-UNTH3HMB_RR	\$1585*
Brushed Black Chrome	US-UNTH3HBBC_RR	\$1725
Brushed Nickel	US-UNTH3HBN_RR	\$1725

REQUIRED ROUGH

2000 3/4" thermostatic rough with two integrated volume controls

US-WLBP2000R \$495

Extension Kit:

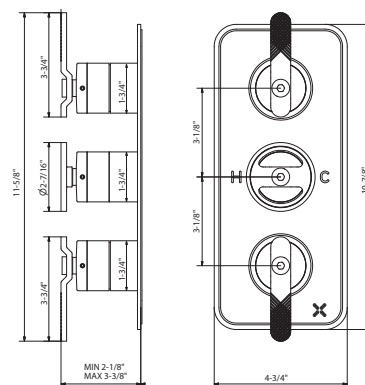
Polished Chrome **US-EK2000C \$250**

Matte Black **US-EK2000MB \$290**

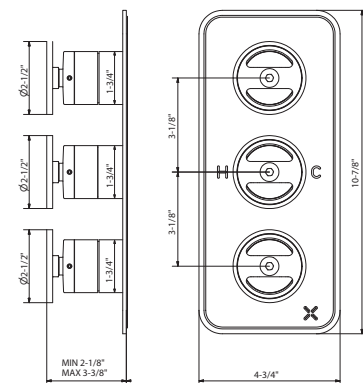
See page 410 for detailed information



Lever and Round



Round



***12-WEEK LEADTIME**

UNION 2500 THERMOSTATIC VALVE TRIM

Integrated volume control/two-way diverter for 3 water outlets

Required rough features Vernet thermostatic cartridge

The thermostatic valve senses and controls the actual water temperature and blends hot water with cold water to ensure constant, safe temperatures, preventing scalding.

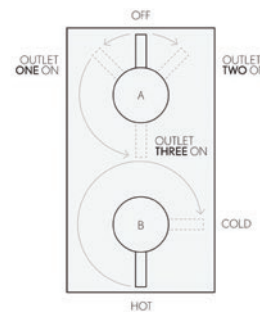
Integral shut-off return valve with filters to prevent cross flow

Flow rate: 12 GPM at 60 PSI

Required rough sold separately: US-WLBP2500R

3 FUNCTIONS, NON-SHARED

- A - Volume control/
three-way diverter
- B - Temperature



Metal Round

Polished Chrome	US-UNTH2HC_RND	\$945
Unlacquered Brass	US-UNTH2HB_RND	\$945
Matte Black	US-UNTH2HMB_RND	\$1145*
Brushed Black Chrome	US-UNTH2HBBC_RND	\$1245
Brushed Nickel	US-UNTH2HBN_RND	\$1245

Red Round

Polished Chrome	US-UNTH2HC_RR	\$945
Unlacquered Brass	US-UNTH2HB_RR	\$945
Matte Black	US-UNTH2HMB_RR	\$1145*
Brushed Black Chrome	US-UNTH2HBBC_RR	\$1245
Brushed Nickel	US-UNTH2HBN_RR	\$1245

REQUIRED ROUGH

2500 3/4" thermostatic rough with single integrated volume control/three-way diverter

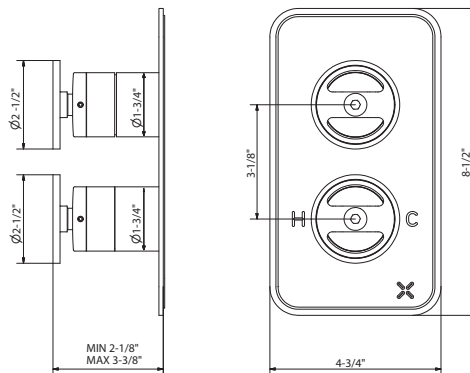
US-WLBP2500R \$595



Extension Kit:

Polished Chrome	US-EK101525C	\$170
Matte Black	US-EK101525MB	\$190

See page 411 for detailed information



*12-WEEK LEADTIME

UNION 3000 THERMOSTATIC VALVE TRIM

Integrated volume control and volume control/
two-way diverter for 3 water outlets

Required rough features Vernet thermostatic cartridge

The thermostatic valve senses and controls the actual water temperature and blends hot water with cold water to ensure constant, safe temperatures, preventing scalding.

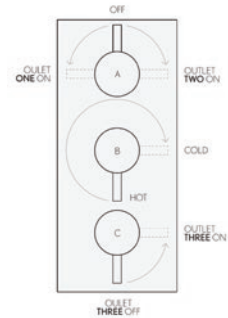
Integral shut-off return valve with filters to prevent cross flow

Flow rate: 12 GPM at 60 PSI

Required rough sold separately: US-WLBP3000R

3 FUNCTIONS, 2 OUTLETS SHARED

- A - Volume control / two-way diverter
- B - Temperature
- C - Volume control



Metal Lever and Round

Polished Chrome	US-UNTH3HC_LV	\$1195
Unlacquered Brass	US-UNTH3HB_LV	\$1195
Matte Black	US-UNTH3HMB_LV	\$1485*
Brushed Black Chrome	US-UNTH3HBBC_LV	\$1625
Brushed Nickel	US-UNTH3HBN_LV	\$1625

Metal Round

Polished Chrome	US-UNTH3HC_RND	\$1295
Unlacquered Brass	US-UNTH3HB_RND	\$1295
Matte Black	US-UNTH3HMB_RND	\$1585*
Brushed Black Chrome	US-UNTH3HBBC_RND	\$1725
Brushed Nickel	US-UNTH3HBN_RND	\$1725

Red Lever and Round

Polished Chrome	US-UNTH3HC_RLV	\$1195
Unlacquered Brass	US-UNTH3HB_RLV	\$1195
Matte Black	US-UNTH3HMB_RLV	\$1485*
Brushed Black Chrome	US-UNTH3HBBC_RLV	\$1625
Brushed Nickel	US-UNTH3HBN_RLV	\$1625

Red Round

Polished Chrome	US-UNTH3HC_RR	\$1295
Unlacquered Brass	US-UNTH3HB_RR	\$1295
Matte Black	US-UNTH3HMB_RR	\$1585*
Brushed Black Chrome	US-UNTH3HBBC_RR	\$1725
Brushed Nickel	US-UNTH3HBN_RR	\$1725

REQUIRED ROUGH

3000 3/4" thermostatic rough with integrated volume control and volume control/two-way diverter
US-WLBP3000R \$595

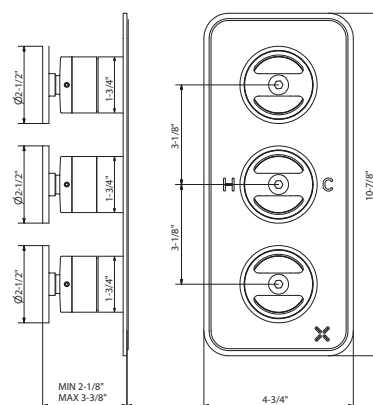


Extension Kit:

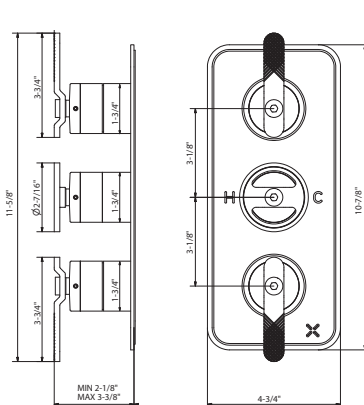
Polished Chrome	US-EK2000C	\$250
Matte Black	US-EK2000MB	\$290

See page 412 for detailed information

Lever and Round



Round



***12-WEEK LEADTIME**

UNION THERMOSTATIC VALVE TRIM

Temperature control only; volume control(s) sold separately

Required rough features Vernet thermostatic cartridge

The thermostatic valve senses and controls the actual water temperature and blends hot water with cold water to ensure constant, safe temperatures, preventing scalding.

Integral shut-off return valve with filters to prevent cross flow

Flow rate: 12 GPM at 45 PSI

IAPMO listed

Required rough sold separately: TH-RGH

TEMPERATURE CONTROL ONLY

This valve is a mixer only and requires separate volume control(s).

See page 418 for detailed information



Metal Lever

Polished Chrome	US-UNTHC_LV	\$625
Unlacquered Brass	US-UNTHB_LV	\$625
Matte Black	US-UNTHMB_LV	\$785*
Brushed Black Chrome	US-UNTHBBC_LV	\$835
Brushed Nickel	US-UNTHBN_LV	\$835

Red Lever

Polished Chrome	US-UNTHC_RLV	\$625
Unlacquered Brass	US-UNTHB_RLV	\$625
Matte Black	US-UNTHMB_RLV	\$785*
Brushed Black Chrome	US-UNTHBBC_RLV	\$835
Brushed Nickel	US-UNTHBN_RLV	\$835

Metal Round

Polished Chrome	US-UNTHC_RND	\$675
Unlacquered Brass	US-UNTHB_RND	\$675
Matte Black	US-UNTHMB_RND	\$835*
Brushed Black Chrome	US-UNTHBBC_RND	\$885
Brushed Nickel	US-UNTHBN_RND	\$885

Red Round

Polished Chrome	US-UNTHC_RR	\$675
Unlacquered Brass	US-UNTHB_RR	\$675
Matte Black	US-UNTHMB_RR	\$835*
Brushed Black Chrome	US-UNTHBBC_RR	\$885
Brushed Nickel	US-UNTHBN_RR	\$885



REQUIRED ROUGH

3/4" thermostatic rough
TH-RGH \$400

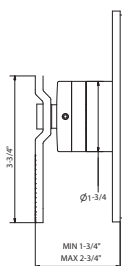


Extension Kit:

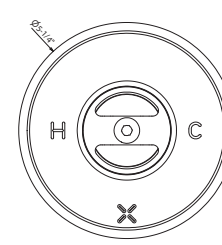
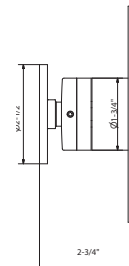
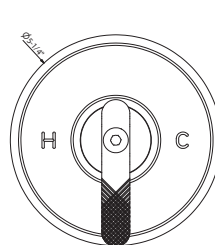
Polished Chrome	9Q242000CP	\$215
Matte Black	9Q242000MB	\$215

See page 415 for detailed information

Lever



Round



*12-WEEK LEADTIME

UNION VOLUME CONTROL AND DIVERTER TRIM

Trims are compatible with roughs for the volume control, two-way and three-way diverters

Volume control controls on/off and volume functions for a single component in a shower system

Diverter alternates water flow between two or three water outlets

Note: Diverters do not start, stop or control water flow

Volume control features Flühs quarter-turn ceramic disc cartridge

Diverters feature Kerox diverter cartridge

Required rough (sold separately):

VC-RGH - Volume control

or

DIV-RGH - Two-way diverter

or

3DV-RGH - Three-way diverter



Metal Lever

Polished Chrome	US-UNVCDIVC_LV	\$365
Unlacquered Brass	US-UNVCDIVB_LV	\$365
Matte Black	US-UNVCDIVMB_LV	\$455*
Brushed Black Chrome	US-UNVCDIVBBC_LV	\$495
Brushed Nickel	US-UNVCDIVBN_LV	\$495

Metal Round

Polished Chrome	US-UNVCDIVC_RND	\$415
Unlacquered Brass	US-UNVCDIVB_RND	\$415
Matte Black	US-UNVCDIVMB_RND	\$515*
Brushed Black Chrome	US-UNVCDIVBBC_RND	\$545
Brushed Nickel	US-UNVCDIVBN_RND	\$545

Red Lever

Polished Chrome	US-UNVCDIVC_RLV	\$365
Unlacquered Brass	US-UNVCDIVB_RLV	\$365
Matte Black	US-UNVCDIVMB_RLV	\$455*
Brushed Black Chrome	US-UNVCDIVBBC_RLV	\$495
Brushed Nickel	US-UNVCDIVBN_RLV	\$495

Red Round

Polished Chrome	US-UNVCDIVC_RR	\$415
Unlacquered Brass	US-UNVCDIVB_RR	\$415
Matte Black	US-UNVCDIVMB_RR	\$515*
Brushed Black Chrome	US-UNVCDIVBBC_RR	\$545
Brushed Nickel	US-UNVCDIVBN_RR	\$545

REQUIRED ROUGH

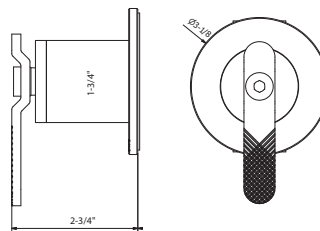
- 3/4" Volume control rough VC-RGH \$120
- or
- 3/4" Two-way diverter rough DIV-RGH \$240
- or
- 1/2" Three-way diverter rough 3DV-RGH \$200

Extension kit:
5T1C0319NT + 5P0C0582NT \$47

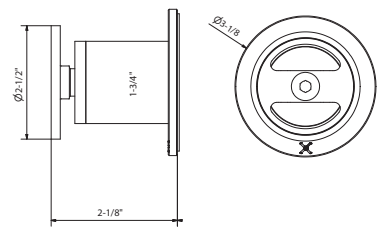
See page 418 for detailed information



Lever



Round



***12-WEEK LEADTIME**

UNION PRESSURE-BALANCE VALVE TRIM

One water outlet

Kerox pressure-balance cartridge

Pressure-balance cartridge maintains constant temperature in response to changes to hot and cold supply

Flow rate: 3-5 GPM at 45 PSI

Required rough sold separately: PBS-RGH

Note: This product will be discontinued when sold through



Metal Lever

Polished Chrome	US-UNPBSC_LV	\$495
Unlacquered Brass	US-UNPBSB_LV	\$495
Matte Black	US-UNPB SMB_LV	\$615*
Brushed Black Chrome	US-UNPBSBBC_LV	\$665
Brushed Nickel	US-UNPBSBN_LV	\$665

Red Lever

Polished Chrome	US-UNPBSC_RLV	\$495
Unlacquered Brass	US-UNPBSB_RLV	\$495
Matte Black	US-UNPB SMB_RLV	\$615*
Brushed Black Chrome	US-UNPBSBBC_RLV	\$665
Brushed Nickel	US-UNPBSBN_RLV	\$665

Metal Round

Polished Chrome	US-UNPBSC_RND	\$545
Unlacquered Brass	US-UNPBSB_RND	\$545
Matte Black	US-UNPB SMB_RND	\$665*
Brushed Black Chrome	US-UNPBSBBC_RND	\$715
Brushed Nickel	US-UNPBSBN_RND	\$715

Red Round

Polished Chrome	US-UNPBSC_RR	\$545
Unlacquered Brass	US-UNPBSB_RR	\$545
Matte Black	US-UNPB SMB_RR	\$665*
Brushed Black Chrome	US-UNPBSBBC_RR	\$715
Brushed Nickel	US-UNPBSBN_RR	\$715

REQUIRED ROUGH

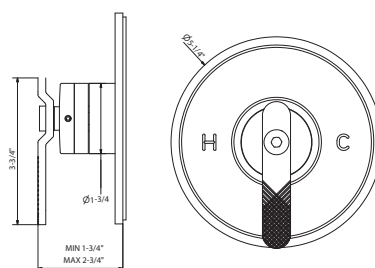
Pressure-balance rough
PBS-RGH \$270



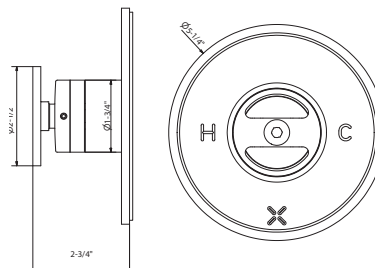
Extension kit:
5T1C0319NT + 5P0C0582NT \$47

See page 416 for detailed information

Lever



Round



*12-WEEK LEADTIME

UNION 10" SHOWER HEAD

Solid brass
 Single rain spray
 9-7/8" diameter
 EasyClean anti-limescale nozzles
 Swivel: Yes
 Flow rate: 1.75 GPM
 Inlet connection size: G 1/2" (compatible with 1/2" NPT)
 Massachusetts code approved, IAPMO listed,
 CEC compliant & WaterSense compliant

Polished Chrome	US-MA250C	\$675
Unlacquered Brass	US-MA250B	\$675
Matte Black	US-MA250MB	\$855*
Brushed Black Chrome	US-MA250BBC	\$925
Brushed Nickel	US-MA250BN	\$925



UNION 5-5/8" SHOWER HEAD

Solid brass
 Single rain spray
 5-5/8" diameter
 EasyClean anti-limescale nozzles
 Swivel: Yes
 Flow rate: 1.75 GPM
 Inlet connection size: G 1/2" (compatible with 1/2" NPT)
 Massachusetts code approved, IAPMO listed,
 CEC compliant & WaterSense compliant

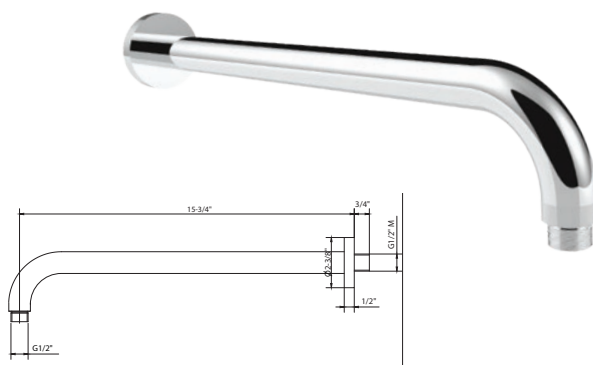
Polished Chrome	US-MA150C	\$625
Unlacquered Brass	US-MA150B	\$625
Matte Black	US-MA150MB	\$785*
Brushed Black Chrome	US-MA150BBC	\$835
Brushed Nickel	US-MA150BN	\$835



UNION 15-3/4" SHOWER ARM AND FLANGE

Solid brass
 Projection: 15-3/4"
 Inlet connection: 1/2" NPT

Polished Chrome	US-SH400C	\$255
Unlacquered Brass	US-SH400B	\$255
Matte Black	US-SH400MB	\$335*
Brushed Black Chrome	US-SH400BBC	\$445
Brushed Nickel	US-SH400BN	\$445

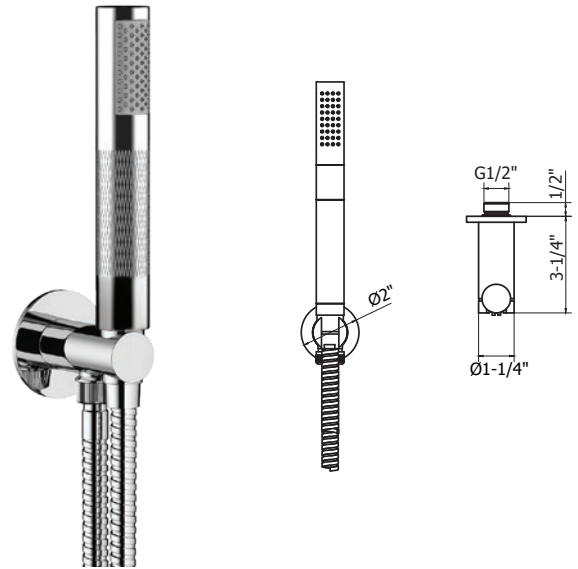


***12-WEEK LEADTIME**

UNION HANDSHOWER SET WITH HOSE AND BRACKET WITH OUTLET

Single-spray
 EasyClean anti-limescale nozzles
 60" decorative metal hose
 Wall bracket includes vacuum breaker
 Flow rate: 1.75 GPM
 Inlet connection: 1/2" NPT

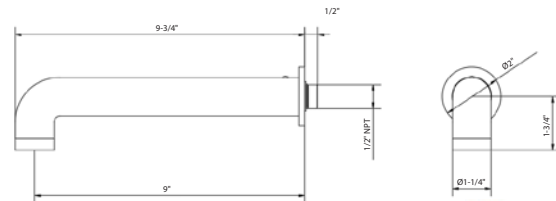
Polished Chrome	US-UN964C	\$625
Unlacquered Brass	US-UN964B	\$625
Matte Black	US-UN964MB	\$785*
Brushed Black Chrome	US-UN964BBC	\$835
Brushed Nickel	US-UN964BN	\$835



UNION WALL TUB SPOUT

Solid brass
 Spout reach: 9"
 Inlet connection: 1/2" NPT

Polished Chrome	US-UN0370WC	\$395
Unlacquered Brass	US-UN0370WB	\$395
Matte Black	US-UN0370WMB	\$495*
Brushed Black Chrome	US-UN0370WBBC	\$545
Brushed Nickel	US-UN0370WBN	\$545



***12-WEEK LEADTIME**

UNION PAPER HOLDER

Polished Chrome	US-UN029C	\$225
Unlacquered Brass	US-UN029B	\$225
Matte Black	US-UN029MB	\$265*
Brushed Black Chrome	US-UN029BBC	\$285
Brushed Nickel	US-UN029BN	\$285



UNION ROBE HOOK

Polished Chrome	US-UN022C	\$125
Unlacquered Brass	US-UN022B	\$125
Matte Black	US-UN022MB	\$135*
Brushed Black Chrome	US-UN022BBC	\$155
Brushed Nickel	US-UN022BN	\$155



UNION 9" TOWEL HOLDER

Polished Chrome	US-UN013C	\$225
Unlacquered Brass	US-UN013B	\$225
Matte Black	US-UN013MB	\$275*
Brushed Black Chrome	US-UN013BBC	\$295
Brushed Nickel	US-UN013BN	\$295



Note: Bar cannot be cut

UNION 20" TOWEL BAR

Polished Chrome	US-UN023C	\$325
Unlacquered Brass	US-UN023B	\$325
Matte Black	US-UN023MB	\$415*
Brushed Black Chrome	US-UN023BBC	\$425
Brushed Nickel	US-UN023BN	\$425



Note: Bar cannot be cut

*12-WEEK LEADTIME

UNION WALL-MOUNT SOAP DISPENSER

Polished Chrome	US-UN011C	\$325
Unlacquered Brass	US-UN011B	\$325
Matte Black	US-UN011MB	\$395*
Brushed Black Chrome	US-UN011BBC	\$425
Brushed Nickel	US-UN011BN	\$425



UNION WALL-MOUNT TOILET BRUSH AND HOLDER

Polished Chrome	US-UN025C	\$635
Unlacquered Brass	US-UN025B	\$635
Matte Black	US-UN025MB	\$795*
Brushed Black Chrome	US-UN025BBC	\$765
Brushed Nickel	US-UN025BN	\$765



*12-WEEK LEADTIME



UNION Exposed Thermostatic Shower Set in
Brushed Black Chrome (US-UN820BBC)



UNION Floor-mount Tub Filler with Handshower and Red Round Handles in Polished Chrome (US-UN399TFC_RR) and UNION Floor Plate in Polished Chrome (US-UNPLATEC)



UNION Single-hole Basin Faucet with Red Lever Handle
in Polished Chrome (US-UN110DPC_RLV)

UNION



UNION Widespread Wall-mount Basin Faucet
with Round Handles in Unlacquered Brass
(US-UN131WNB_RND, US-130ROUGH)



UNION Floor-mount Tub Filler with Handshower and Round Handles in Brushed Nickel (US-UN399TFBN_RND)



Waldorf Widespread Basin Faucet with Cross Handles in Polished Chrome (US-WF130DPC)

Waldorf



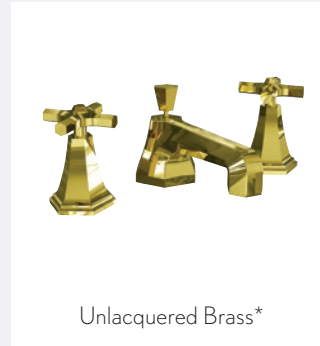
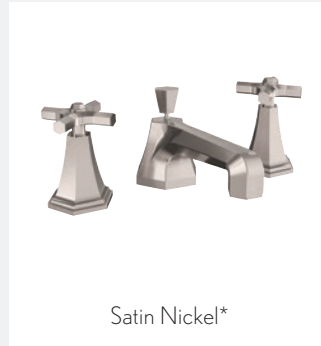
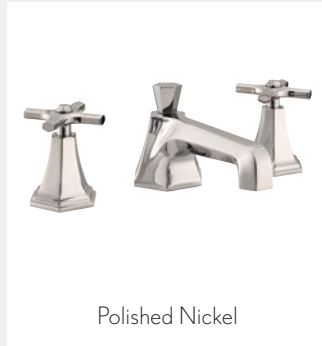
TRULY EVOCATIVE

A modern interpretation of Art Deco excellence, Waldorf blends geometric intricacy with softened lines for a striking profile. Expertly designed in Europe and displaying the highest level of quality and aesthetics, the Waldorf collection represents the ultimate in bathroom luxury.

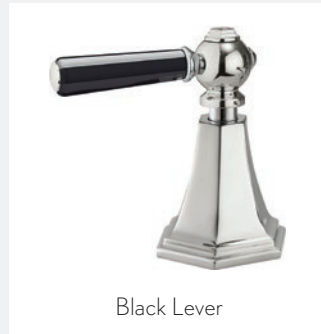
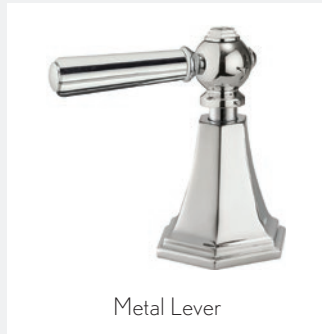
Enduring. Elegant.



AVAILABLE FINISHES



HANDLE OPTIONS



*SPECIAL ORDER - 12-WEEK LEADTIME

WALDORF SINGLE-HOLE BASIN FAUCET

- Solid brass construction
- Flühs quarter-turn ceramic disc cartridges
- Spout reach: 5-1/4"
- Spout swivel: No
- Massachusetts code approved & CEC compliant
- Pop-up drain assembly included



Cross Handle

Polished Chrome	US-WF110DPC	\$895
Polished Nickel	US-WF110DPN	\$995
Satin Nickel	US-WF110DPS	\$995*
Unlacquered Brass	US-WF110DPB	\$995*

Black Lever

Polished Chrome	US-WF110DPC_BLV	\$895
Polished Nickel	US-WF110DPN_BLV	\$995
Satin Nickel	US-WF110DPS_BLV	\$995*
Unlacquered Brass	US-WF110DPB_BLV	\$995*

Metal Lever

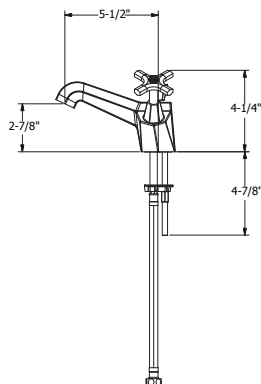
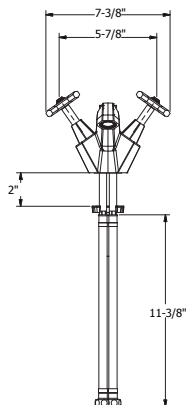
Polished Chrome	US-WF110DPC_CLV	\$895
Polished Nickel	US-WF110DPN_NLV	\$995
Satin Nickel	US-WF110DPS_SLV	\$995*
Unlacquered Brass	US-WF110DPB_BBLV	\$995*

White Lever

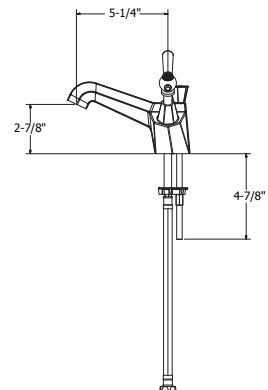
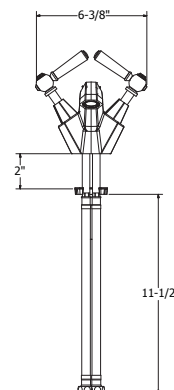
Polished Chrome	US-WF110DPC_LV	\$895
Polished Nickel	US-WF110DPN_LV	\$995
Satin Nickel	US-WF110DPS_LV	\$995*
Unlacquered Brass	US-WF110DPB_LV	\$995*



Cross Handles



Lever Handles



*12-WEEK LEADTIME

WALDORF WIDESPREAD BASIN FAUCET

- Solid brass construction
- Flühs quarter-turn ceramic disc cartridges
- Spout reach: 5-1/2"
- Spout swivel: No
- Massachusetts code approved & CEC compliant
- Pop-up drain assembly included

WALDORF



Cross Handle

Polished Chrome	US-WF130DPC	\$995
Polished Nickel	US-WF130DPN	\$1095
Satin Nickel	US-WF130DPS	\$1095*
Unlacquered Brass	US-WF130DPB	\$1095*

Black Lever

Polished Chrome	US-WF130DPC_BLV	\$995
Polished Nickel	US-WF130DPN_BLV	\$1095
Satin Nickel	US-WF130DPS_BLV	\$1095*
Unlacquered Brass	US-WF130DPB_BLV	\$1095*

Metal Lever

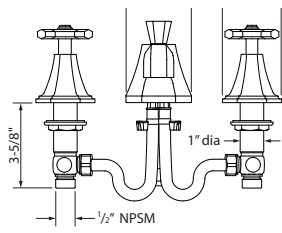
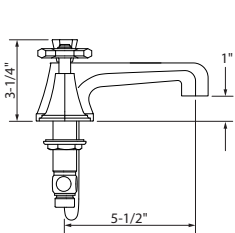
Polished Chrome	US-WF130DPC_CLV	\$995
Polished Nickel	US-WF130DPN_NLV	\$1095
Satin Nickel	US-WF130DPS_SLV	\$1095*
Unlacquered Brass	US-WF130DPB_BBLV	\$1095*

White Lever

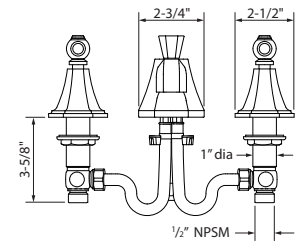
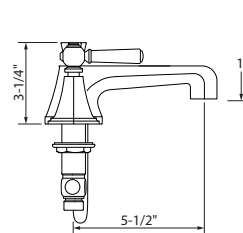
Polished Chrome	US-WF130DPC_LV	\$995
Polished Nickel	US-WF130DPN_LV	\$1095
Satin Nickel	US-WF130DPS_LV	\$1095*
Unlacquered Brass	US-WF130DPB_LV	\$1095*



Cross Handles



Lever Handles



***12-WEEK LEADTIME**

WALDORF WIDESPREAD BASIN FAUCET WITH TALL SPOUT

- Solid brass construction
- Flühs quarter-turn ceramic disc cartridges
- Spout reach: 5-1/4"
- Spout swivel: No
- Massachusetts code approved, IAPMO listed, CEC compliant & WaterSense compliant
- Pop-up drain assembly included



Cross Handle

Polished Chrome	US-WF135DPC	\$995
Polished Nickel	US-WF135DPN	\$1095
Satin Nickel	US-WF135DPS	\$1095*
Unlacquered Brass	US-WF135DPB	\$1095*

Black Lever

Polished Chrome	US-WF135DPC_BLV	\$995
Polished Nickel	US-WF135DPN_BLV	\$1095
Satin Nickel	US-WF135DPS_BLV	\$1095*
Unlacquered Brass	US-WF135DPB_BLV	\$1095*



Metal Lever

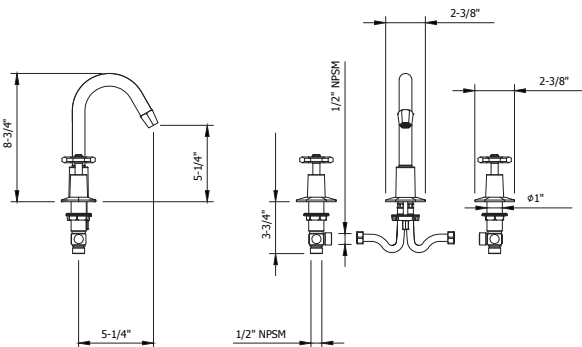
Polished Chrome	US-WF135DPC_CLV	\$995
Polished Nickel	US-WF135DPN_NLV	\$1095
Satin Nickel	US-WF135DPS_SLV	\$1095*
Unlacquered Brass	US-WF135DPB_BBLV	\$1095*

White Lever

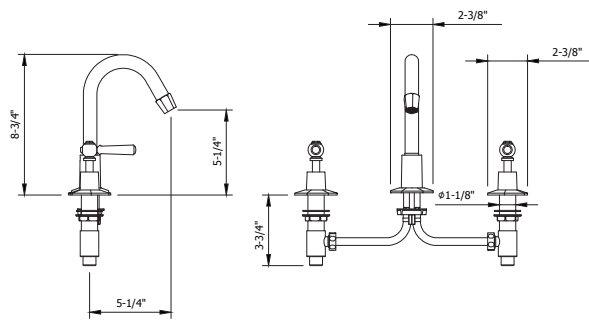
Polished Chrome	US-WF135DPC_LV	\$995
Polished Nickel	US-WF135DPN_LV	\$1095
Satin Nickel	US-WF135DPS_LV	\$1095*
Unlacquered Brass	US-WF135DPB_LV	\$1095*



Cross Handles



Lever Handles



*12-WEEK LEADTIME

**WALDORF WALL-MOUNT
BASIN FAUCET TRIM**

Solid brass construction
 Flühs quarter-turn ceramic disc cartridges
 Spout reach: 5-1/2"
 Spout swivel: No
 Massachusetts code approved, IAPMO listed,
 ADA compliant, CEC compliant
 & WaterSense compliant
Required rough sold separately: US-130ROUGH
 Push drain assembly sold separately



Cross Handle

Polished Chrome	US-WF131WNC	\$795
Polished Nickel	US-WF131WNN	\$895
Satin Nickel	US-WF131WNS	\$895*
Unlacquered Brass	US-WF131WNB	\$895*

Black Lever

Polished Chrome	US-WF131WNC_BLV	\$795
Polished Nickel	US-WF131WNN_BLV	\$895
Satin Nickel	US-WF131WNS_BLV	\$895*
Unlacquered Brass	US-WF131WNB_BLV	\$895*

Metal Lever

Polished Chrome	US-WF131WNC_CLV	\$795
Polished Nickel	US-WF131WNN_NLV	\$895
Satin Nickel	US-WF131WNS_SLV	\$895*
Unlacquered Brass	US-WF131WNB_BBLV	\$895*

White Lever

Polished Chrome	US-WF131WNC_LV	\$795
Polished Nickel	US-WF131WNN_LV	\$895
Satin Nickel	US-WF131WNS_LV	\$895*
Unlacquered Brass	US-WF131WNB_LV	\$895*



REQUIRED ROUGH

Rough for three-hole wall-mount basin faucet

US-130ROUGH \$330

Extension Kit:
 US-130ROUGH-EXT \$95



See page 406 for detailed information

RECOMMENDED WASTES

Basin push drain with overflow

Polished Chrome	US-BSW0117C	\$95
Polished Nickel	US-BSW0117N	\$135
Satin Nickel	US-BSW0117V	\$135
Unlacquered Brass	US-BSW906B	\$125



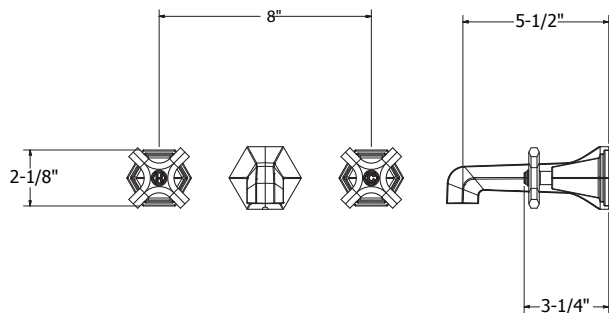
Basin push drain without overflow

Polished Chrome	US-BSW0101C	\$105
Polished Nickel	US-BSW0101N	\$175
Satin Nickel	US-BSW0101V	\$275

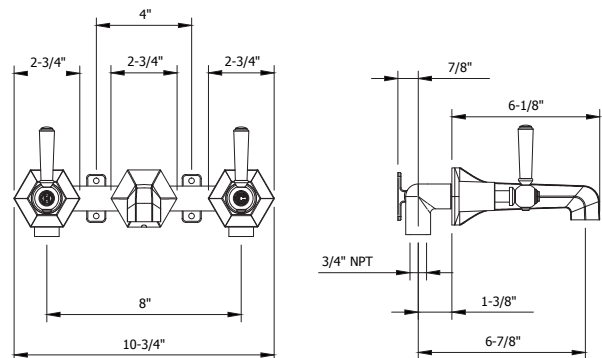


See page 398 for detailed information

Cross Handles



Lever Handles



***12-WEEK LEADTIME**

WALDORF EXPOSED DECK-MOUNT TUB FAUCET WITH HANDSHOWER

- Solid brass construction
- Flühs quarter-turn ceramic disc cartridges
- Single-function handshower with vacuum breaker and 60" hose
- Spout reach: 7-5/8"
- Spout swivel: No
- Tub filler flow rate: 8.6 GPM
- Handshower flow rate: 1.75 or 2.0 GPM
- For floor-mount installation use US-WF002PLATE floor pillar legs and plate, and US-A002ROUGH
- For wall-mount installation use US-BL004W wall unions
- Massachusetts code approved, IAPMO listed & CEC compliant (2.0 GPM only)



Cross Handle with 2.0 GPM handshower

Polished Chrome	US-WF422DC	\$1655
Polished Nickel	US-WF422DN	\$1795
Satin Nickel	US-WF422DS	\$1795*
Unlacquered Brass	US-WF422DB	\$1795*

To order the 1.75 GPM model, please add "175" after "422".

Metal Lever with 2.0 GPM handshower

Polished Chrome	US-WF422DC_CLV	\$1655
Polished Nickel	US-WF422DN_NLV	\$1795
Satin Nickel	US-WF422DS_SLV	\$1795*
Unlacquered Brass	US-WF422DB_BBLV	\$1795*

To order the 1.75 GPM model, please add "175" after "422".

Black Lever with 2.0 GPM handshower

Polished Chrome	US-WF422DC_BLV	\$1655
Polished Nickel	US-WF422DN_BLV	\$1795
Satin Nickel	US-WF422DS_BLV	\$1795*
Unlacquered Brass	US-WF422DB_BLV	\$1795*

To order the 1.75 GPM model, please add "175" after "422".

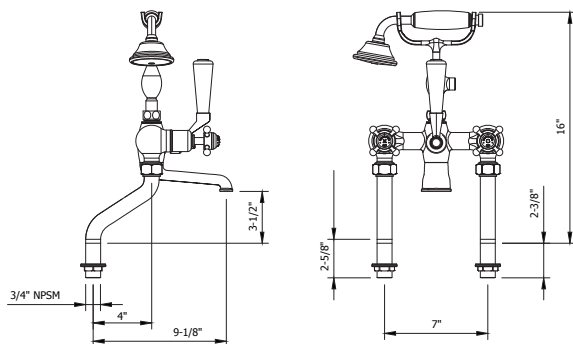
White Lever with 2.0 GPM handshower

Polished Chrome	US-WF422DC_LV	\$1655
Polished Nickel	US-WF422DN_LV	\$1795
Satin Nickel	US-WF422DS_LV	\$1795*
Unlacquered Brass	US-WF422DB_LV	\$1795*

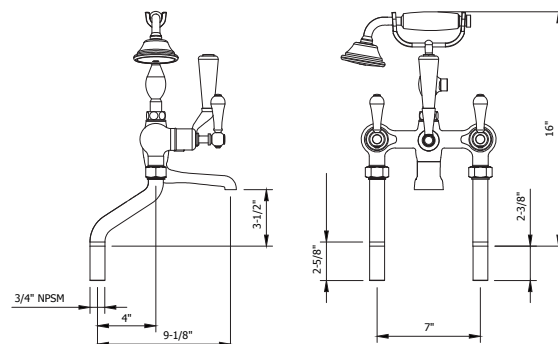
To order the 1.75 GPM model, please add "175" after "422".



Cross Handles



Lever Handles



*12-WEEK LEADTIME

WALDORF FLOOR-STANDING PILLAR LEGS AND PLATE

Solid brass construction

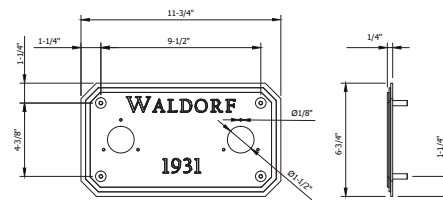
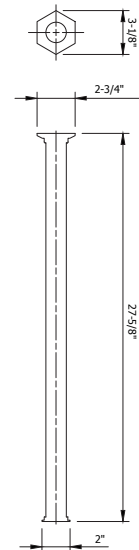
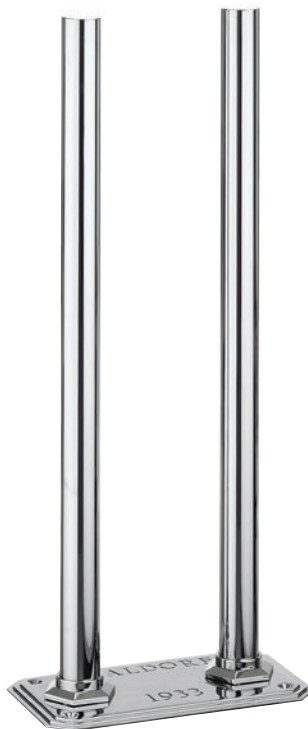
Floor-mounting legs for Waldorf deck tub filler: US-WF422D

Height: 27-5/8"

Floor plate size: 11-3/4" x 6-3/4"

Required rough sold separately:
US-AA002ROUGH

Polished Chrome	US-WF002PLATEC	\$1320
Polished Nickel	US-WF002PLATEN	\$1450
Satin Nickel	US-WF002PLATES	\$1450*
Unlacquered Brass	US-WF002PLATEB	\$1450*



REQUIRED ROUGH

Rough for floor standing pillar legs
US-AA002ROUGH
\$280



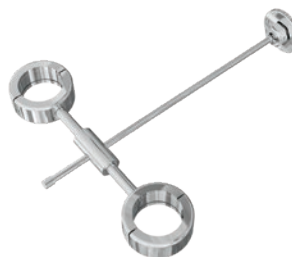
See page 407 for detailed information

SUPPORT FOR FLOOR-STANDING PILLAR LEGS (OPTIONAL)

Provides additional support

Distance from wall: 3-1/2" - 11"

Polished Chrome	US-PLS002C	\$385
Polished Nickel	US-PLS002N	\$415
Satin Nickel	US-PLS002S	\$415*
Unlacquered Brass	US-PLS002B	\$415*



WALL UNIONS FOR EXPOSED TUB FILLER

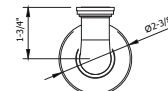
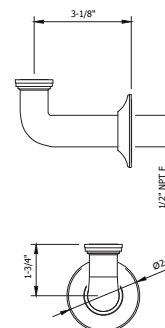
Wall mounting unions for two-handle tub faucets

Solid brass

1/2" NPT female

Massachusetts code approved & IAPMO listed

Polished Chrome	US-BL004WC	\$245
Polished Nickel	US-BL004WN	\$265
Satin Nickel	US-BL004WS	\$265*
Unlacquered Brass	US-BL004WB	\$265*



*12-WEEK LEADTIME

WALDORF EXPOSED THERMOSTATIC SHOWER WITH 8" RAIN HEAD

Solid brass

Vernet thermostatic cartridge and Flühs volume control cartridge

8" shower head features EasyClean nozzles

Plug at the bottom of the thermostatic valve is removable for future addition of handshower or tub spout, if desired (volume control is required)

Shower head swivel: No

Height: 42-7/8"

Projection: 19-1/2"

Shower head flow rate: 2.5 GPM

Inlet supply spread: 7-7/8"

Massachusetts code approved & IAPMO listed



Metal Lever

Polished Chrome	US-WF_SHOWERC_CLV	\$2725
Polished Nickel	US-WF_SHOWERN_NLV	\$3365
Satin Nickel	US-WF_SHOWERS_SLV	\$3365*
Unlacquered Brass	US-WF_SHOWERB_BBLV	\$3365*

Black Lever

Polished Chrome	US-WF_SHOWERC_BLV	\$2725
Polished Nickel	US-WF_SHOWERN_BLV	\$3365
Satin Nickel	US-WF_SHOWERS_BLV	\$3365*
Unlacquered Brass	US-WF_SHOWERB_BLV	\$3365*

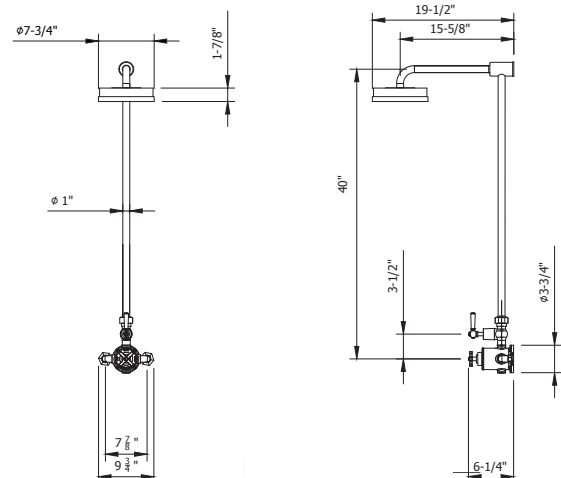
White Lever

Polished Chrome	US-WF_SHOWERC_LV	\$2725
Polished Nickel	US-WF_SHOWERN_LV	\$3365
Satin Nickel	US-WF_SHOWERS_LV	\$3365*
Unlacquered Brass	US-WF_SHOWERB_LV	\$3365*

OPTIONAL RISERS

46" height (to add 10" to overall height)

Polished Chrome	US-BL_RISERC10	\$530
Polished Nickel	US-BL_RISERN10	\$550
Satin Nickel	US-BL_RISERS10	\$550*
Unlacquered Brass	US-BL_RISERB10	\$630*



*12-WEEK LEADTIME

WALDORF EXPOSED THERMOSTATIC SHOWER WITH 8" RAIN HEAD AND TUB SPOUT

Solid brass
Vernet thermostatic cartridge and Flühs volume control cartridges
8" shower head features EasyClean nozzles
Shower head swivel: No
Height: 69-1/4"
Projection: 19-1/2"
Shower head flow rate: 2.5 GPM
Inlet supply spread: 7-7/8"
Massachusetts code approved & IAPMO listed

Metal Lever

Polished Chrome	US-WF_BSMC_CLV	\$3365
Polished Nickel	US-WF_BSMN_NLV	\$4095
Satin Nickel	US-WF_BSMS_SLV	\$4095*
Unlacquered Brass	US-WF_BSMB_BBLV	\$4095*

Black Lever

Polished Chrome	US-WF_BSMC_BLV	\$3365
Polished Nickel	US-WF_BSMN_BLV	\$4095
Satin Nickel	US-WF_BSMS_BLV	\$4095*
Unlacquered Brass	US-WF_BSMB_BLV	\$4095*

White Lever

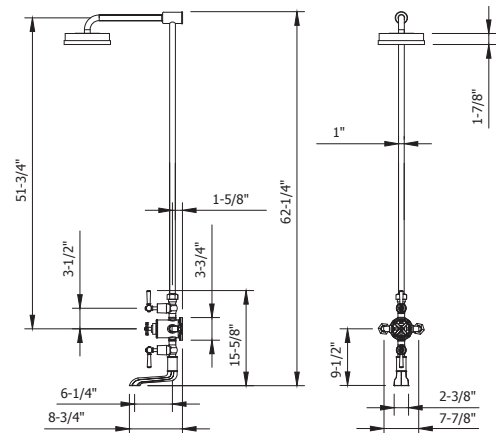
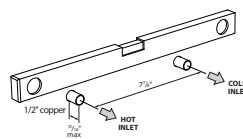
Polished Chrome	US-WF_BSMC_LV	\$3365
Polished Nickel	US-WF_BSMN_LV	\$4095
Satin Nickel	US-WF_BSMS_LV	\$4095*
Unlacquered Brass	US-WF_BSMB_LV	\$4095*



OPTIONAL RISERS

46" height (to add 10" to overall height)

Polished Chrome	US-BL_RISERC10	\$530
Polished Nickel	US-BL_RISERN10	\$550
Satin Nickel	US-BL_RISERS10	\$550*
Unlacquered Brass	US-BL_RISERB10	\$630*



***12-WEEK LEADTIME**

WALDORF EXPOSED THERMOSTATIC SHOWER WITH 8" RAIN HEAD AND HANDSHOWER ON HOOK

Solid brass

Vernet thermostatic cartridge and Flühs volume control cartridges

8" shower head features EasyClean nozzles

Single-function handshower with vacuum breaker and 60" hose

Shower head swivel: No

Height: 69-1/4"

Projection: 19-1/2"

Shower head flow rate: 2.5 GPM

Handshower flow rate: 2.0 GPM

Inlet supply spread: 7-7/8"

Massachusetts code approved & IAPMO listed



Metal Lever (metal handshower)

Polished Chrome	US-WF_BRACKETC_CLV	\$3365
Polished Nickel	US-WF_BRACKETN_NLV	\$4095
Satin Nickel	US-WF_BRACKETSLV	\$4095*
Unlacquered Brass	US-WF_BRACKETB_BBLV	\$4095*

Black Lever (metal handshower with black insert)

Polished Chrome	US-WF_BRACKETC_BLV	\$3365
Polished Nickel	US-WF_BRACKETN_BLV	\$4095
Satin Nickel	US-WF_BRACKETSLV	\$4095*
Unlacquered Brass	US-WF_BRACKETB_BLV	\$4095*

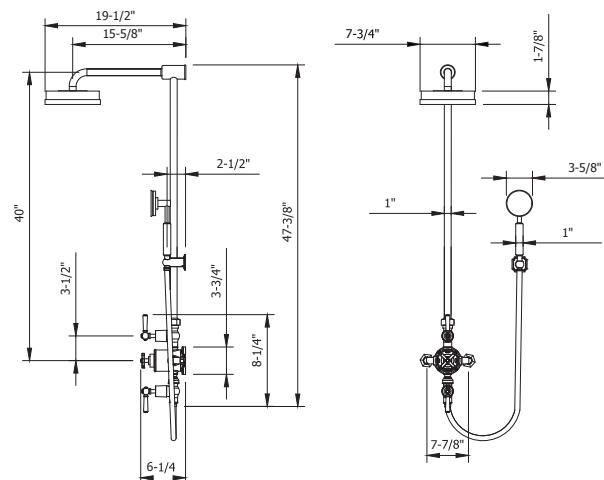
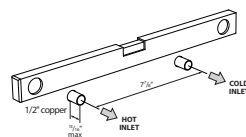
White Lever (metal handshower with white insert)

Polished Chrome	US-WF_BRACKETC_LV	\$3365
Polished Nickel	US-WF_BRACKETN_LV	\$4095
Satin Nickel	US-WF_BRACKETSLV	\$4095*
Unlacquered Brass	US-WF_BRACKETB_LV	\$4095*

OPTIONAL RISERS

46" height (to add 10" to overall height)

Polished Chrome	US-BL_RISERC10	\$530
Polished Nickel	US-BL_RISERN10	\$550
Satin Nickel	US-BL_RISERS10	\$550*
Unlacquered Brass	US-BL_RISERB10	\$630*



*12-WEEK LEADTIME

WALDORF EXPOSED THERMOSTATIC SHOWER WITH 8" RAIN HEAD AND HANDSHOWER ON CRADLE

- Solid brass
- Vernet thermostatic cartridge and Flühs volume control cartridges
- 8" shower head features EasyClean nozzles
- Single-function handshower with vacuum breaker and 60" hose
- Shower head swivel: No
- Height: 47-3/8"
- Projection: 19-1/2"
- Shower head flow rate: 2.5 GPM
- Handshower flow rate: 2.0 GPM
- Inlet supply spread: 7-7/8"
- Massachusetts code approved & IAPMO listed

Metal Lever (metal handshower)

Polished Chrome	US-WF_CRADLEC_CLV	\$3365
Polished Nickel	US-WF_CRADLEN_NLV	\$4095
Satin Nickel	US-WF_CRADLES_SLV	\$4095*
Unlacquered Brass	US-WF_CRADLEB_BBLV	\$4095*

Black Lever (metal handshower with black insert)

Polished Chrome	US-WF_CRADLEC_BLV	\$3365
Polished Nickel	US-WF_CRADLEN_BLV	\$4095
Satin Nickel	US-WF_CRADLES_BLV	\$4095*
Unlacquered Brass	US-WF_CRADLEB_BLV	\$4095*

White Lever (metal handshower with white insert)

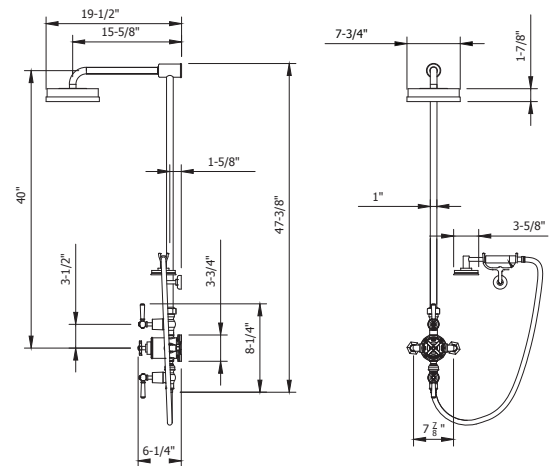
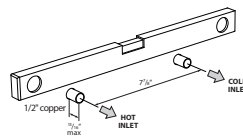
Polished Chrome	US-WF_CRADLEC_LV	\$3365
Polished Nickel	US-WF_CRADLEN_LV	\$4095
Satin Nickel	US-WF_CRADLES_LV	\$4095*
Unlacquered Brass	US-WF_CRADLEB_LV	\$4095*



OPTIONAL RISERS

46" height (to add 10" to overall height)

Polished Chrome	US-BL_RISERC10	\$530
Polished Nickel	US-BL_RISERN10	\$550
Satin Nickel	US-BL_RISERS10	\$550*
Unlacquered Brass	US-BL_RISERB10	\$630*



*12-WEEK LEADTIME

WALDORF THERMOSTATIC SHOWER WITH 8" RAIN HEAD AND HANDSHOWER ON SLIDER

Solid brass

Vernet thermostatic cartridge and Flühs volume control cartridges

8" shower head features EasyClean nozzles

Single-function handshower with vacuum breaker and 60" hose

Shower head swivel: No

Height: 47-3/8"

Projection: 19-1/2"

Shower head flow rate: 2.5 GPM

Handshower flow rate: 2.0 GPM

Inlet supply spread: 7-7/8"

Massachusetts code approved & IAPMO listed



Metal Lever (metal handshower)

Polished Chrome	US-WF_SLIDERC_CLV	\$3365
Polished Nickel	US-WF_SLIDERN_NLV	\$4095
Satin Nickel	US-WF_SLIDERS_SLV	\$4095*
Unlacquered Brass	US-WF_SLIDERB_BBLV	\$4095*

Black Lever (metal handshower with black insert)

Polished Chrome	US-WF_SLIDERC_BLV	\$3365
Polished Nickel	US-WF_SLIDERN_BLV	\$4095
Satin Nickel	US-WF_SLIDERS_BLV	\$4095*
Unlacquered Brass	US-WF_SLIDERB_BLV	\$4095*

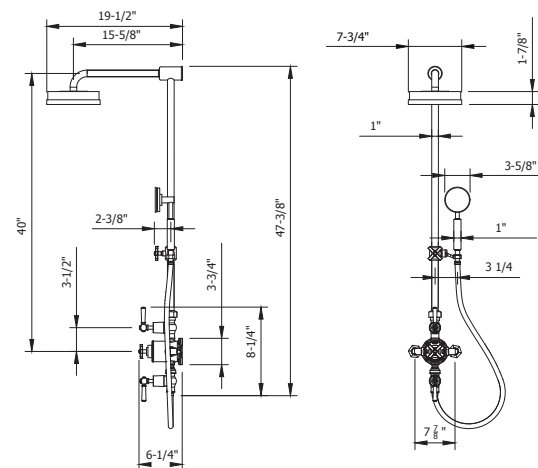
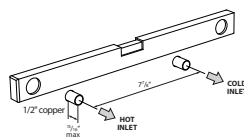
White Lever (metal handshower with white insert)

Polished Chrome	US-WF_SLIDERC_LV	\$3365
Polished Nickel	US-WF_SLIDERN_LV	\$4095
Satin Nickel	US-WF_SLIDERS_LV	\$4095*
Unlacquered Brass	US-WF_SLIDERB_LV	\$4095*

OPTIONAL RISERS

46" height (to add 10" to overall height)

Polished Chrome	US-BL_RISERC10	\$530
Polished Nickel	US-BL_RISERN10	\$550
Satin Nickel	US-BL_RISERS10	\$550*
Unlacquered Brass	US-BL_RISERB10	\$630*



*12-WEEK LEADTIME

WALDORF 1000 THERMOSTATIC VALVE TRIM

Single integrated volume control for 1 water outlet

Required rough features Vernet thermostatic cartridge

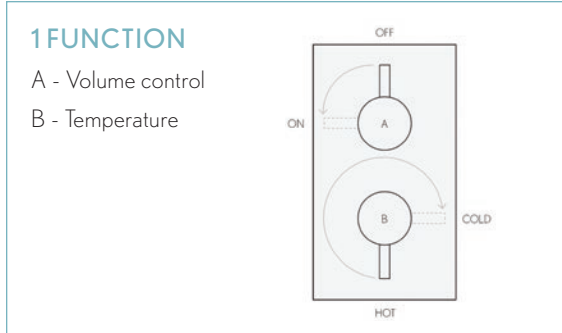
The thermostatic valve senses and controls the actual water temperature and blends hot water with cold water to ensure constant, safe temperatures, preventing scalding.

Integral shut-off return valve with filters to prevent cross flow

Flow rate: 12 GPM at 60 PSI

Massachusetts code approved, IAPMO listed & ADA compliant (Cross handle only)

Required rough sold separately: US-WLBP1000R



Cross Handle

Polished Chrome	US-WF1000RC	\$595
Polished Nickel	US-WF1000RN	\$655
Satin Nickel	US-WF1000RS	\$655*
Unlacquered Brass	US-WF1000RB	\$655*



Metal Lever

Polished Chrome	US-WF1000RC_CLV	\$595
Polished Nickel	US-WF1000RN_NLV	\$655
Satin Nickel	US-WF1000RS_SLV	\$655*
Unlacquered Brass	US-WF1000RB_BBLV	\$655*

Black Lever

Polished Chrome	US-WF1000RC_BLV	\$595
Polished Nickel	US-WF1000RN_BLV	\$655
Satin Nickel	US-WF1000RS_BLV	\$655*
Unlacquered Brass	US-WF1000RB_BLV	\$655*

White Lever

Polished Chrome	US-WF1000RC_LV	\$595
Polished Nickel	US-WF1000RN_LV	\$655
Satin Nickel	US-WF1000RS_LV	\$655*
Unlacquered Brass	US-WF1000RB_LV	\$655*



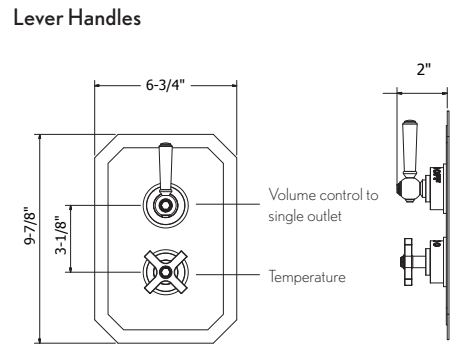
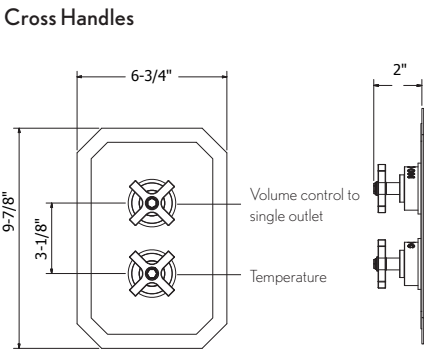
REQUIRED ROUGH

1000 3/4" thermostatic rough with single integrated volume control
US-WLBP1000R \$395

Extension Kit:

Polished Chrome	US-EK101525C	\$170
Polished Nickel	US-EK101525N	\$220
Satin Nickel	US-EK101525V	\$220

See page 408 for detailed information



*12-WEEK LEADTIME

WALDORF 1500 THERMOSTATIC VALVE TRIM

Integrated volume control/diverter for 2 water outlets

Required rough features Vernet thermostatic cartridge

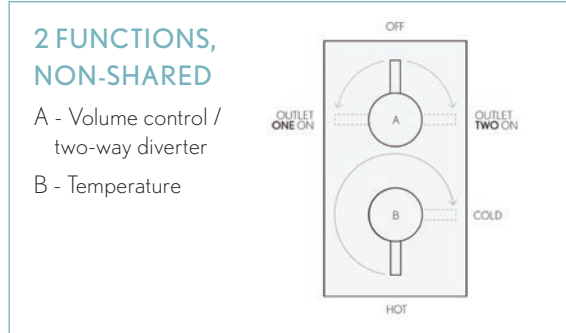
The thermostatic valve senses and controls the actual water temperature and blends hot water with cold water to ensure constant, safe temperatures, preventing scalding.

Integral shut-off return valve with filters to prevent cross flow

Flow rate: 11 GPM at 60 PSI

Massachusetts code approved, IAPMO listed & ADA compliant (Cross handle only)

Required rough sold separately: US-WLBP1500R



Cross Handle

Polished Chrome	US-WF1500RC	\$595
Polished Nickel	US-WF1500RN	\$655
Satin Nickel	US-WF1500RS	\$655*
Unlacquered Brass	US-WF1500RB	\$655*

Metal Lever

Polished Chrome	US-WF1500RC_CLV	\$595
Polished Nickel	US-WF1500RN_NLV	\$655
Satin Nickel	US-WF1500RS_SLV	\$655*
Unlacquered Brass	US-WF1500RB_BBLV	\$655*

Black Lever

Polished Chrome	US-WF1500RC_BLV	\$595
Polished Nickel	US-WF1500RN_BLV	\$655
Satin Nickel	US-WF1500RS_BLV	\$655*
Unlacquered Brass	US-WF1500RB_BLV	\$655*

White Lever

Polished Chrome	US-WF1500RC_LV	\$595
Polished Nickel	US-WF1500RN_LV	\$655
Satin Nickel	US-WF1500RS_LV	\$655*
Unlacquered Brass	US-WF1500RB_LV	\$655*



REQUIRED ROUGH

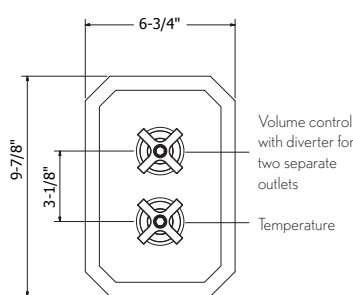
1500 3/4" thermostatic rough with integrated volume control/diverter for independent two-outlet use
US-WLBP1500R \$495

Extension Kit:

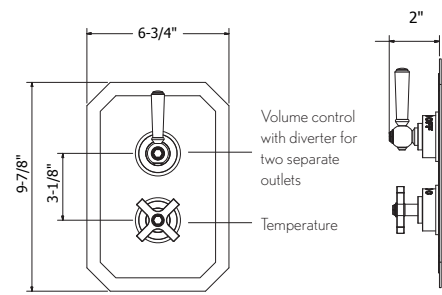
Polished Chrome	US-EK101525C	\$170
Polished Nickel	US-EK101525N	\$220
Satin Nickel	US-EK101525V	\$220

See page 409 for detailed information

Cross Handles



Lever Handles



*12-WEEK LEADTIME

Concealed shower valves

WALDORF 2000 THERMOSTATIC VALVE TRIM

Two integrated volume controls for 2 water outlets

Required rough features Vernet thermostatic cartridge

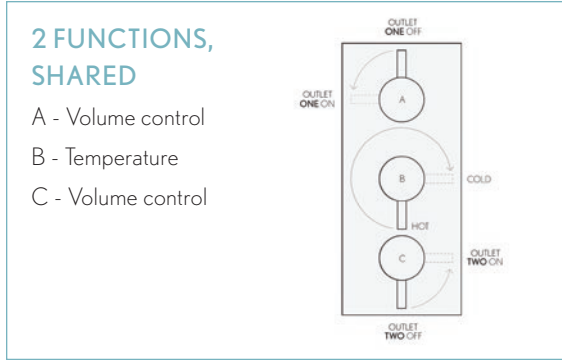
The thermostatic valve senses and controls the actual water temperature and blends hot water with cold water to ensure constant, safe temperatures, preventing scalding.

Integral shut-off return valve with filters to prevent cross flow

Flow rate: 13 GPM at 60 PSI

Massachusetts code approved, IAPMO listed & ADA compliant (Cross handle only)

Required rough sold separately: **US-WLBP2000R**



Cross Handle

Polished Chrome	US-WF2000RC	\$875
Polished Nickel	US-WF2000RN	\$965
Satin Nickel	US-WF2000RS	\$965*
Unlacquered Brass	US-WF2000RB	\$965*

Black Lever

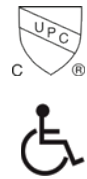
Polished Chrome	US-WF2000RC_BLV	\$875
Polished Nickel	US-WF2000RN_BLV	\$965
Satin Nickel	US-WF2000RS_BLV	\$965*
Unlacquered Brass	US-WF2000RB_BLV	\$965*

Metal Lever

Polished Chrome	US-WF2000RC_CLV	\$875
Polished Nickel	US-WF2000RN_NLV	\$965
Satin Nickel	US-WF2000RS_SLV	\$965*
Unlacquered Brass	US-WF2000RB_BBLV	\$965*

White Lever

Polished Chrome	US-WF2000RC_LV	\$875
Polished Nickel	US-WF2000RN_LV	\$965
Satin Nickel	US-WF2000RS_LV	\$965*
Unlacquered Brass	US-WF2000RB_LV	\$965*



REQUIRED ROUGH

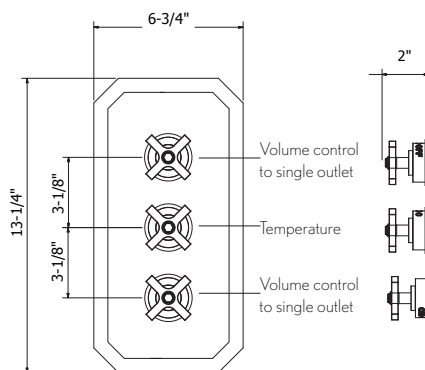
2000 3/4" thermostatic rough with two integrated volume controls
US-WLBP2000R \$495

Extension Kit:

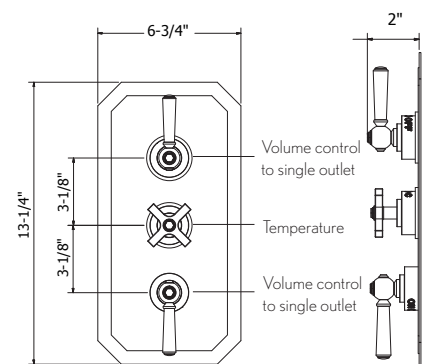
Polished Chrome	US-EK2000C	\$250
Polished Nickel	US-EK2000N	\$330
Satin Nickel	US-EK2000V	\$330

See page 410 for detailed information

Cross Handles



Lever Handles



***12-WEEK LEADTIME**

WALDORF 2500 THERMOSTATIC VALVE TRIM

Integrated volume control/three-way diverter for 3 water outlets

Required rough features Vernet thermostatic cartridge

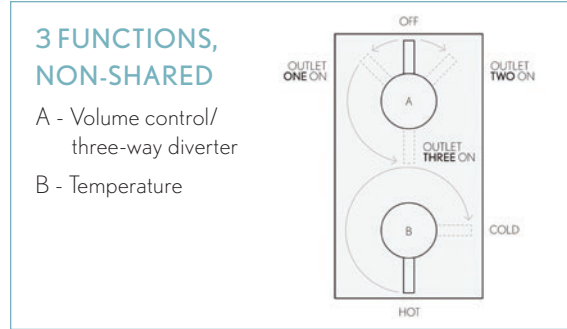
The thermostatic valve senses and controls the actual water temperature and blends hot water with cold water to ensure constant, safe temperatures, preventing scalding.

Integral shut-off return valve with filters to prevent cross flow

Flow rate: 12 GPM at 60 PSI

Massachusetts code approved, IAPMO listed & ADA compliant (Cross handle only)

Required rough sold separately: US-WLBP2500R



Cross Handle

Polished Chrome	US-WF2500RC	\$595
Polished Nickel	US-WF2500RN	\$655
Satin Nickel	US-WF2500RS	\$655*
Unlacquered Brass	US-WF2500RB	\$655*



WALDORF

REQUIRED ROUGH

2500 3/4" thermostatic rough with single integrated volume control/three-way diverter

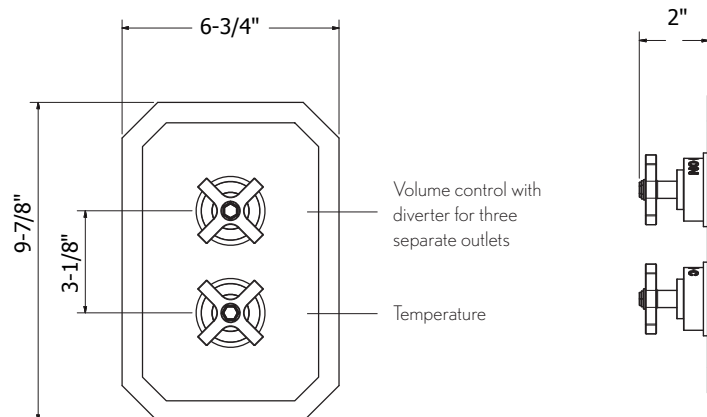
US-WLBP2500R \$595



Extension Kit:

Polished Chrome	US-EK101525C	\$170
Polished Nickel	US-EK101525N	\$220
Satin Nickel	US-EK101525V	\$220

See page 411 for detailed information



***12-WEEK LEADTIME**

WALDORF 3000 THERMOSTATIC VALVE TRIM

Integrated volume control and volume control/
two-way diverter for 3 water outlets

Required rough features Vernet thermostatic cartridge

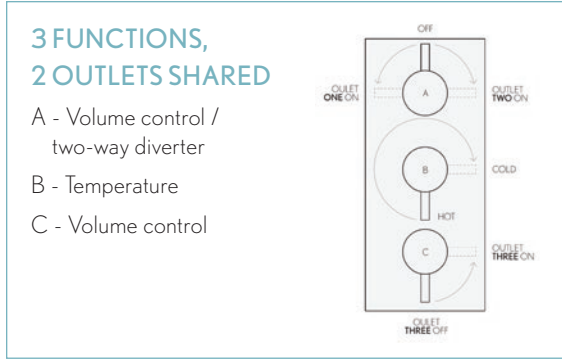
The thermostatic valve senses and controls the actual water temperature and blends hot water with cold water to ensure constant, safe temperatures, preventing scalding.

Integral shut-off return valve with filters to prevent cross flow

Flow rate: 12 GPM at 60 PSI

Massachusetts code approved, IAPMO listed
& ADA compliant (Cross handle only)

Required rough sold separately: US-WLBP3000R



Cross Handle

Polished Chrome	US-WF3000RC	\$875
Polished Nickel	US-WF3000RN	\$965
Satin Nickel	US-WF3000RS	\$965*
Unlacquered Brass	US-WF3000RB	\$965*



Black Lever

Polished Chrome	US-WF3000RC_BLV	\$875
Polished Nickel	US-WF3000RN_BLV	\$965
Satin Nickel	US-WF3000RS_BLV	\$965*
Unlacquered Brass	US-WF3000RB_BLV	\$965*

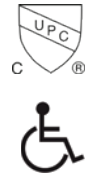


Metal Lever

Polished Chrome	US-WF3000RC_CLV	\$875
Polished Nickel	US-WF3000RN_NLV	\$965
Satin Nickel	US-WF3000RS_SLV	\$965*
Unlacquered Brass	US-WF3000RB_BBLV	\$965*

White Lever

Polished Chrome	US-WF3000RC_LV	\$875
Polished Nickel	US-WF3000RN_LV	\$965
Satin Nickel	US-WF3000RS_LV	\$965*
Unlacquered Brass	US-WF3000RB_LV	\$965*



REQUIRED ROUGH

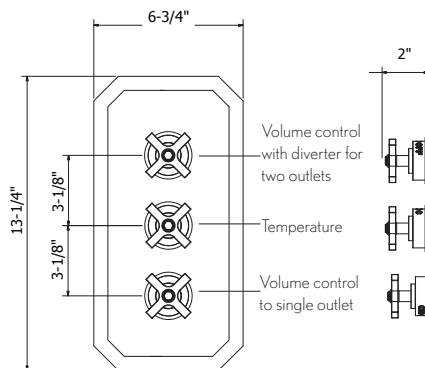
3000 3/4" thermostatic rough with integrated volume control and volume control/two-way diverter
US-WLBP3000R \$595

Extension Kit:

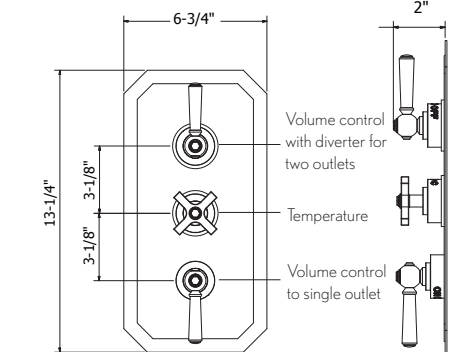
Polished Chrome	US-EK2000C	\$250
Polished Nickel	US-EK2000N	\$330
Satin Nickel	US-EK2000V	\$330

See page 412 for detailed information

Cross Handles



Lever Handles

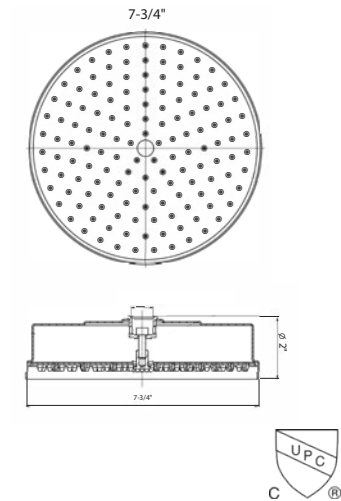


*12-WEEK LEADTIME

WALDORF 8" RAIN HEAD

Solid brass
 Single rain spray
 7-3/4" diameter
 EasyClean anti-limescale nozzles
 Swivel: No
 Flow rate: 2.5 GPM
 Inlet connection: G 1/2" (compatible with 1/2" NPT)
 Massachusetts code approved & IAPMO listed

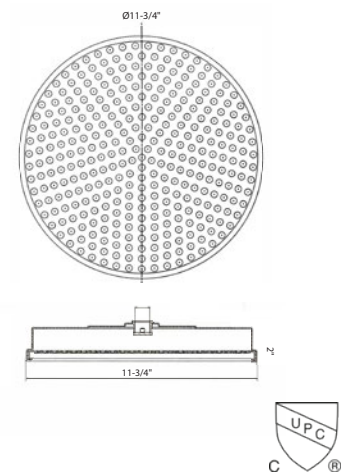
Polished Chrome	US-WF08C_EC	\$525
Polished Nickel	US-WF08N_EC	\$575
Satin Nickel	US-WF08S_EC	\$575*
Unlacquered Brass	US-WF08B_EC	\$525*



WALDORF 12" RAIN HEAD

Solid brass
 Single rain spray
 11-3/4" diameter
 Swivel: No
 Flow rate: 2.5 GPM
 Inlet connection: G 1/2" (compatible with 1/2" NPT)
 Massachusetts code approved & IAPMO listed

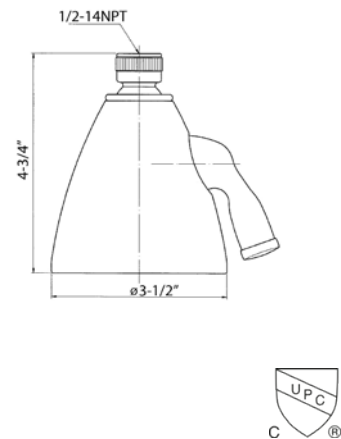
Polished Chrome	US-WF12C	\$775
Polished Nickel	US-WF12N	\$845
Satin Nickel	US-WF12S	\$845*
Unlacquered Brass	US-WF12B	\$775*



ELEMENTS 8-JET SHOWER HEAD

Solid brass
 Adjustable spray - wide to narrow rain
 3-1/2" diameter
 Anti-limescale nozzles
 Swivel: Yes
 Flow rate: 1.75 GPM
 Inlet connection: 1/2" NPT
 Massachusetts code approved & IAPMO listed

Polished Chrome	US-SH08C	\$275
Polished Nickel	US-SH08N	\$325
Satin Nickel	US-SH08S	\$375
Unlacquered Brass	US-SH08B	\$275



***12-WEEK LEADTIME**

Shower arms

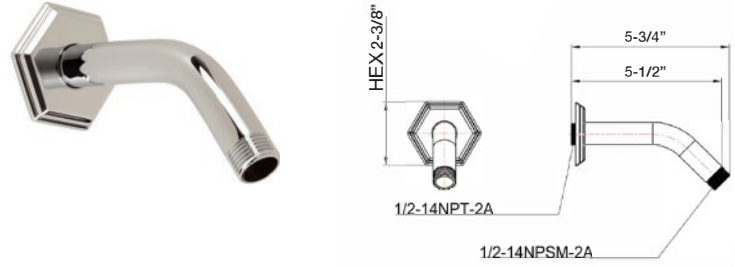
WALDORF SHOWER ARM AND FLANGE

Solid brass

Projection: 5-1/2"

Inlet connection: 1/2" NPT

Polished Chrome	US-WF664C	\$75
Polished Nickel	US-WF664N	\$85
Satin Nickel	US-WF664S	\$125*
Unlacquered Brass	US-WF664B	\$125*



TRADITIONAL 13" SHOWER ARM AND FLANGE

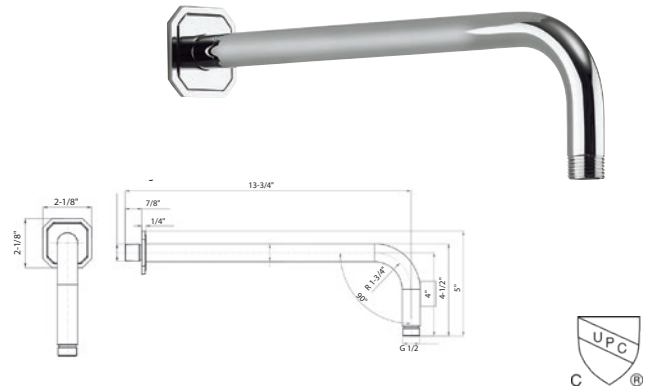
Solid brass

Projection: 13"

Inlet connection: 1/2" NPT male

IAPMO listed

Polished Chrome	US-BL685C	\$135
Polished Nickel	US-BL685N	\$165
Satin Nickel	US-BL685V	\$165
Unlacquered Brass	US-BL685B	\$165



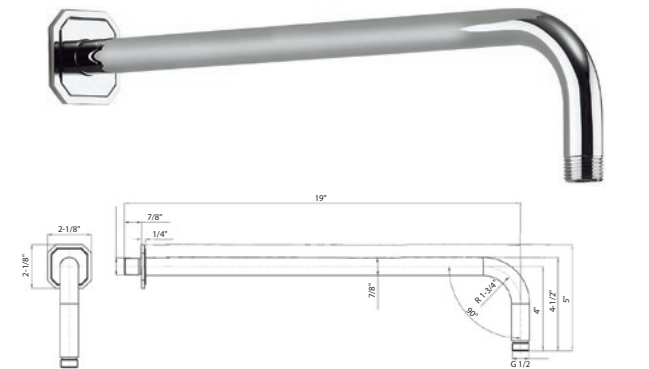
TRADITIONAL 18" SHOWER ARM AND FLANGE

Solid brass

Projection: 18-1/8"

Inlet connection: 1/2" NPT

Polished Chrome	US-BL695C	\$155
Polished Nickel	US-BL695N	\$175
Satin Nickel	US-BL695V	\$175
Unlacquered Brass	US-BL695B	\$175



8" CEILING-MOUNT SHOWER ARM AND FLANGE

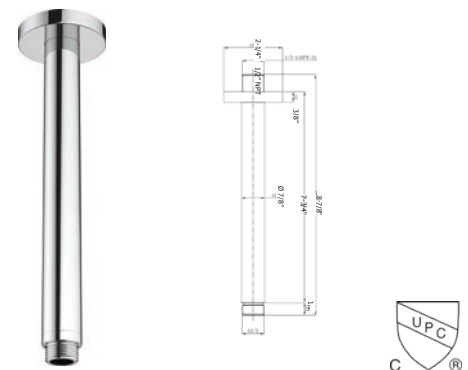
Solid brass

Projection: 7-3/4"

Inlet connection: 1/2" NPT male

IAPMO listed

Polished Chrome	US-PRO689C	\$95
Polished Nickel	US-PRO689N	\$125
Satin Nickel	US-PRO689V	\$125
Unlacquered Brass	US-PRO689B	\$95



***12-WEEK LEADTIME**

WALDORF HANDSHOWER RAIL SET

Set includes handshower, hose, slide rail and wall outlet

Single-function spray

Handshower includes vacuum breaker and flow restrictor

24" adjustable bar with bracket

60" decorative metal hose included

Flow rate: 1.75 or 2.0 GPM

Inlet connection: 1/2" NPT



2.0 GPM Metal handshower

Polished Chrome	US-WF931C	\$995
Polished Nickel	US-WF931N	\$1095
Satin Nickel	US-WF931S	\$1095*
Unlacquered Brass	US-WF931B	\$1095*

To order the 1.75 GPM model, please replace "931" with "930".

2.0 GPM Metal handshower with black insert

Polished Chrome	US-WF931C_B	\$995
Polished Nickel	US-WF931N_B	\$1095
Satin Nickel	US-WF931S_B	\$1095*
Unlacquered Brass	US-WF931B_B	\$1095*

To order the 1.75 GPM model, please replace "931" with "930".

2.0 GPM Metal handshower with white insert

Polished Chrome	US-WF931C_W	\$995
Polished Nickel	US-WF931N_W	\$1095
Satin Nickel	US-WF931S_W	\$1095*
Unlacquered Brass	US-WF931B_W	\$1095*

To order the 1.75 GPM model, please replace "931" with "930".

WALDORF HANDSHOWER SET WITH HOSE AND BRACKET WITH OUTLET

Single-spray

60" decorative metal hose

Wall bracket includes vacuum breaker

Flow rate: 1.75 or 2.0 GPM

Inlet connection: 1/2" NPT male

Massachusetts code approved & IAPMO listed



2.0 GPM Metal handshower

Polished Chrome	US-WF964C	\$425
Polished Nickel	US-WF964N	\$475
Satin Nickel	US-WF964S	\$475*
Unlacquered Brass	US-WF964B	\$475*

To order the 1.75 GPM model, please add "175" after "964".

2.0 GPM Metal handshower with Black Insert

Polished Chrome	US-WF964C_B	\$425
Polished Nickel	US-WF964N_B	\$475
Satin Nickel	US-WF964S_B	\$475*
Unlacquered Brass	US-WF964B_B	\$475*

To order the 1.75 GPM model, please add "175" after "964".

2.0 GPM Metal handshower with White Insert

Polished Chrome	US-WF964C_W	\$425
Polished Nickel	US-WF964N_W	\$475
Satin Nickel	US-WF964S_W	\$475*
Unlacquered Brass	US-WF964B_W	\$475*

To order the 1.75 GPM model, please add "175" after "964".



***12-WEEK LEADTIME**

WALDORF HANDSHOWER

Single spray

Flow rate: 1.75 or 2.0 GPM

Massachusetts code approved, IAPMO listed,
CEC compliant & WaterSense compliant



2.0 GPM Metal handshower

Polished Chrome	US-WFHANDSETC	\$275
Polished Nickel	US-WFHANDSETN	\$295
Satin Nickel	US-WFHANDSETS	\$295*
Unlacquered Brass	US-WFHANDSETB	\$295*

To order the 1.75 GPM model, please add "175" after "HANDSET".

2.0 GPM Metal handshower with black insert

Polished Chrome	US-WFHANDSETC_B	\$275
Polished Nickel	US-WFHANDSETN_B	\$295
Satin Nickel	US-WFHANDSETS_B	\$295*
Unlacquered Brass	US-WFHANDSETB_B	\$295*

To order the 1.75 GPM model, please add "175" after "HANDSET".

2.0 GPM Metal handshower with white insert

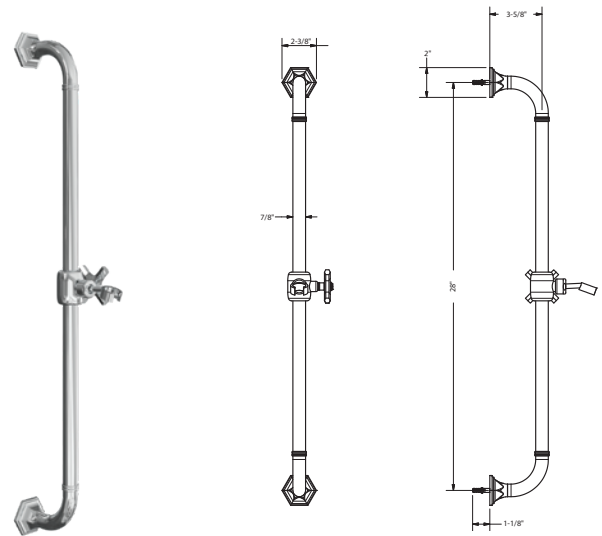
Polished Chrome	US-WFHANDSETC_W	\$275
Polished Nickel	US-WFHANDSETN_W	\$295
Satin Nickel	US-WFHANDSETS_W	\$295*
Unlacquered Brass	US-WFHANDSETB_W	\$295*

To order the 1.75 GPM model, please add "175" after "HANDSET".



WALDORF HANDSHOWER RAIL

Polished Chrome	US-WF850C	\$645
Polished Nickel	US-WF850N	\$695
Satin Nickel	US-WF850S	\$695*
Unlacquered Brass	US-WF850B	\$695*



59" HANDSHOWER HOSE

Double-spiral brass hose

Length: 59"

1/2" female threads

IAPMO listed (US-SH970 only)

Polished Chrome	US-SH970C	\$95
Polished Nickel	US-SH970N	\$115
Satin Nickel	US-SH970V	\$125
Unlacquered Brass	US-SH977B	\$125



***12-WEEK LEADTIME**

WALDORF WALL TUB SPOUT

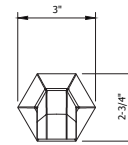
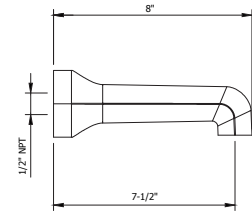
Solid brass

Spout reach: 7-1/2"

Inlet connection size: 1/2" NPT female

Massachusetts code approved & IAPMO listed

Polished Chrome	US-WF0370WC	\$325
Polished Nickel	US-WF0370WN	\$365
Satin Nickel	US-WF0370WS	\$365*
Unlacquered Brass	US-WF0370WB	\$365*



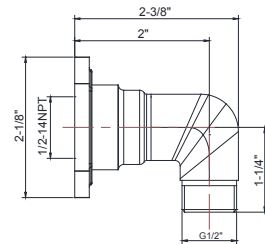
WALDORF WALL OUTLET

Includes vacuum breaker

Inlet connection size: 1/2" NPT female

IAPMO listed

Polished Chrome	US-WF953C	\$125
Polished Nickel	US-WF953N	\$155
Satin Nickel	US-WF953V	\$155*
Unlacquered Brass	US-WF953B	\$155*



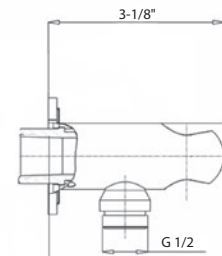
TRADITIONAL WALL BRACKET WITH OUTLET

Includes vacuum breaker

Inlet connection size: 1/2" NPT female

IAPMO listed

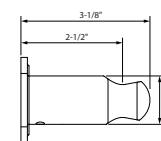
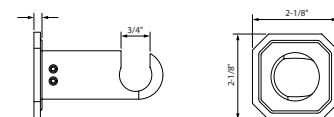
Polished Chrome	US-BL963C	\$135
Polished Nickel	US-BL963N	\$165
Satin Nickel	US-BL963S	\$165*
Unlacquered Brass	US-BL963B	\$165*



TRADITIONAL WALL BRACKET

Massachusetts code approved & IAPMO listed

Polished Chrome	US-BL953C	\$115
Polished Nickel	US-BL953N	\$145
Satin Nickel	US-BL953V	\$145*
Unlacquered Brass	US-BL953B	\$145*



***12-WEEK LEADTIME**

WALDORF PAPER HOLDER

Polished Chrome	US-WF029C	\$215
Polished Nickel	US-WF029N	\$265



WALDORF ROBE HOOK

Polished Chrome	US-WF021C	\$95
Polished Nickel	US-WF021N	\$115



WALDORF TOWEL RING

Polished Chrome	US-WF013C	\$135
Polished Nickel	US-WF013N	\$165



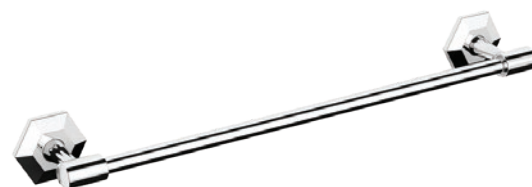
WALDORF 18" TOWEL BAR

Polished Chrome	US-WF023C	\$265
Polished Nickel	US-WF023N	\$315



WALDORF 24" TOWEL BAR

Polished Chrome	US-WF026C	\$275
Polished Nickel	US-WF026N	\$325





Waldorf Freestanding Bathtub (US-WF_FSBATHC)

Waldorf Exposed Tub Faucet with Handshower and White Lever Handles in Polished Chrome (WF-422DC_LV)

Waldorf Floorstanding Pillar Legs and Floor Plate in Polished Chrome (US-WF002PLATEC)



Waldorf Back-to-wall Bathtub (US-WF_BTWBATH)

Waldorf Exposed Tub Faucet with Handshower and Cross Handles (US-WF422DC)

Waldorf 31-1/2" Basin Console Set in Polished Chrome (US-WF313CSC)

Waldorf Widespread Basin Faucet with Cross Handles in Polished Chrome (US-WF130DPC)



Waldorf Exposed Tub Faucet with Handshower and Cross Handles in Polished Chrome (US-WF422DC)

WALDORF



Waldorf Exposed Thermostatic Tub and Shower
in Polished Chrome (US-WF_BSMC_LV)



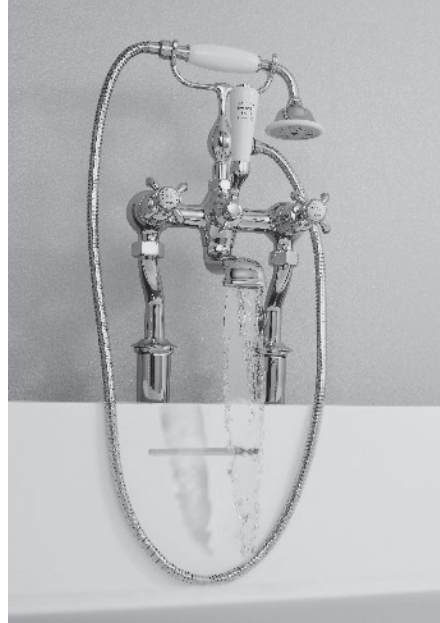
Waldorf Widespread Basin Faucet with Cross Handles
in Polished Chrome (US-WF130DPC)



Belgravia Widespread Basin Faucet with
Cross Handles in Polished Nickel (US-BL130DPN)

BELGRAVIA

• EST. 1899 •



STUNNING & CLASSICALLY DESIGNED BRASSWARE

Exceptionally crafted, Belgravia lends an historic pedigree to traditional bathroom design. Precise detailing and inscribed indices set this collection apart, creating a bathroom that is period in style yet superior in function. Hand-polished across the entire range, Belgravia indulges the bathroom with stately style and sensibility.

Authentic luxury for discerning tastes.

LA BOUTIQUE DE FLEURS
Madeleine
9 RUE D'ALEZIA PARIS

BELGRAVIA



AVAILABLE FINISHES



Polished Chrome



Polished Nickel



Satin Nickel*



Unlacquered Brass*

HANDLE OPTIONS



Cross Handle



White Lever



NEW Metal Lever

*SPECIAL ORDER - 12-WEEK LEADTIME

BELGRAVIA SINGLE-HOLE BASIN FAUCET

- Solid brass construction
- Flühs quarter-turn ceramic disc cartridges
- Pop-up drain assembly included
- Spout reach: 5"
- Spout swivel: No
- Massachusetts code approved, IAPMO listed, ADA compliant (Lever handle only), CEC compliant & WaterSense compliant



Cross Handle

Polished Chrome	US-BL112DPC	\$595
Polished Nickel	US-BL112DPN	\$695
Satin Nickel	US-BL112DPS	\$695*
Unlacquered Brass	US-BL112DPPB	\$695*

White Lever

Polished Chrome	US-BL112DPC_LV	\$595
Polished Nickel	US-BL112DPN_LV	\$695
Satin Nickel	US-BL112DPS_LV	\$695*
Unlacquered Brass	US-BL112DPB_LV	\$695*

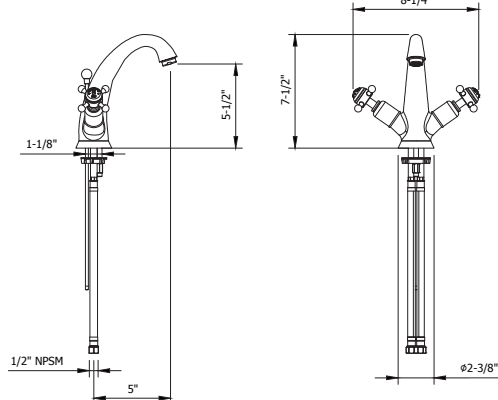
NEW!

Metal Lever

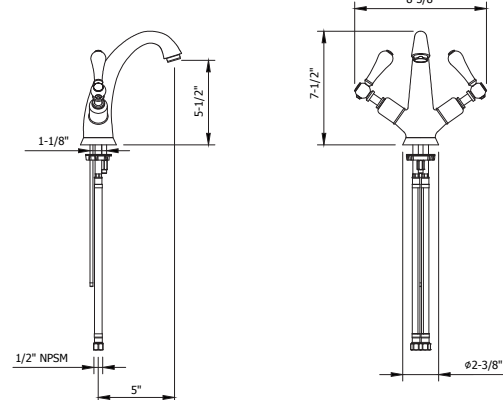
Polished Chrome	US-BL112DPC_MLV	\$595
Polished Nickel	US-BL112DPN_MLV	\$695
Satin Nickel	US-BL112DPS_MLV	\$695*
Unlacquered Brass	US-BL112DPB_MLV	\$695*



Cross Handles



Lever Handles



*12-WEEK LEADTIME

BELGRAVIA WIDESPREAD BASIN FAUCET

- _____ Solid brass construction
- _____ Flühs quarter-turn ceramic disc cartridges
- _____ Pop-up drain assembly included
- _____ Spout reach: 4-1/2"
- _____ Spout swivel: No
- _____ Massachusetts code approved, IAPMO listed, ADA compliant (Lever handle only), CEC compliant & WaterSense compliant



Cross Handle

- Polished Chrome **US-BL130DPC \$855**
- Polished Nickel **US-BL130DPN \$975**
- Satin Nickel **US-BL130DPS \$975***
- Unlacquered Brass **US-BL130DPB \$975***



White Lever

- Polished Chrome **US-BL130DPC_LV \$855**
- Polished Nickel **US-BL130DPN_LV \$975**
- Satin Nickel **US-BL130DPS_LV \$975***
- Unlacquered Brass **US-BL130DPB_LV \$975***



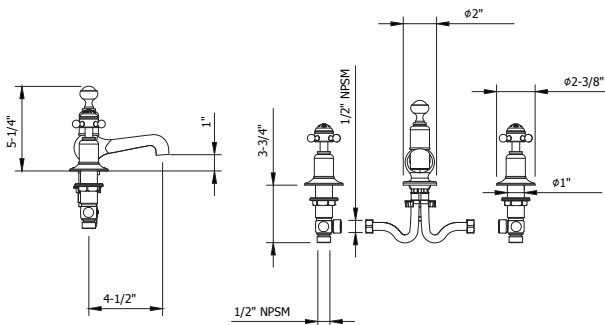
NEW!

Metal Lever

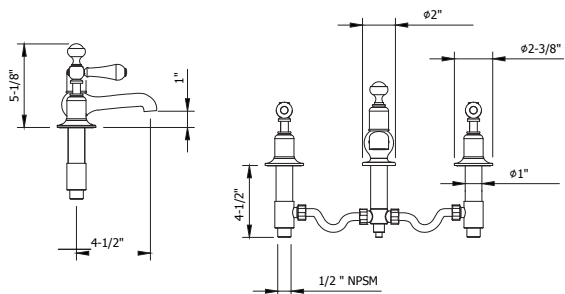
- Polished Chrome **US-BL130DPC_MLV \$855**
- Polished Nickel **US-BL130DPN_MLV \$975**
- Satin Nickel **US-BL130DPS_MLV \$975***
- Unlacquered Brass **US-BL130DPB_MLV \$975***



Cross Handles



Lever Handles



***12-WEEK LEADTIME**

BELGRAVIA WIDESPREAD BASIN FAUCET WITH TALL SPOUT

- Solid brass construction
- Flühs quarter-turn ceramic disc cartridges
- Pop-up drain assembly included
- Spout reach: 5"
- Spout swivel: No
- Massachusetts code approved, IAPMO listed, CEC compliant & WaterSense compliant



NEW!

Cross Handle

Polished Chrome	US-BL135DPC	\$855
Polished Nickel	US-BL135DPN	\$975
Satin Nickel	US-BL135DPS	\$975*
Unlacquered Brass	US-BL135DPB	\$975*

White Lever

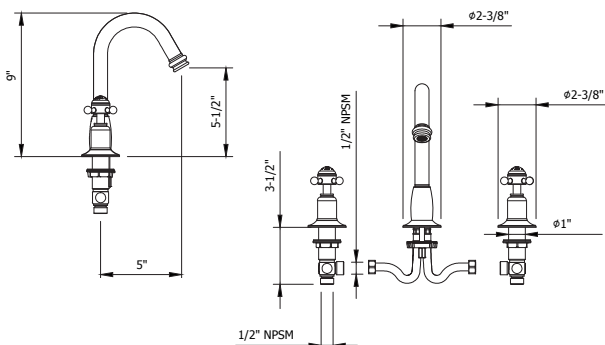
Polished Chrome	US-BL135DPC_LV	\$855
Polished Nickel	US-BL135DPN_LV	\$975
Satin Nickel	US-BL135DPS_LV	\$975*
Unlacquered Brass	US-BL135DPB_LV	\$975*

Metal Lever

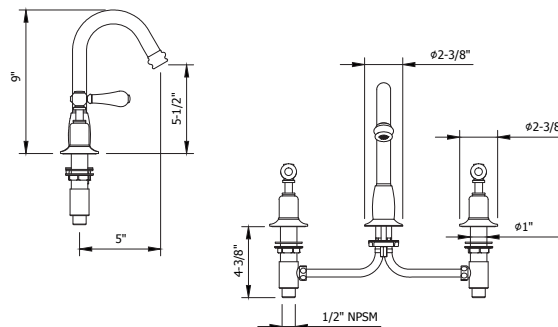
Polished Chrome	US-BL135DPC_MLV	\$855
Polished Nickel	US-BL135DPN_MLV	\$975
Satin Nickel	US-BL135DPS_MLV	\$975*
Unlacquered Brass	US-BL135DPB_MLV	\$975*



Cross Handles



Lever Handles



***12-WEEK LEADTIME**

BELGRAVIA WALL-MOUNT BASIN FAUCET TRIM

- Solid brass construction
- Flühs quarter-turn ceramic disc cartridges
- Push drain assembly sold separately
- Spout reach: 6"
- Spout swivel: No
- Massachusetts code approved & CEC compliant
- Required rough sold separately: US-130ROUGH**



Cross Handle

- Polished Chrome **US-BL131WNC \$425**
- Polished Nickel **US-BL131WNN \$495**
- Satin Nickel **US-BL131WNS \$495***
- Unlacquered Brass **US-BL131WNB \$495***

White Lever

- Polished Chrome **US-BL131WNC_LV \$425**
- Polished Nickel **US-BL131WNN_LV \$495**
- Satin Nickel **US-BL131WNS_LV \$495***
- Unlacquered Brass **US-BL131WNB_LV \$495***

NEW!

Metal Lever

- Polished Chrome **US-BL131WNC_MLV \$425**
- Polished Nickel **US-BL131WNN_MLV \$495**
- Satin Nickel **US-BL131WNS_MLV \$495***
- Unlacquered Brass **US-BL131WNB_MLV \$495***

REQUIRED ROUGH

- Rough for three-hole wall-mount basin faucet **US-130ROUGH \$330**
- Extension Kit: **US-130ROUGH-EXT \$95**
- [See page 406](#) for detailed information

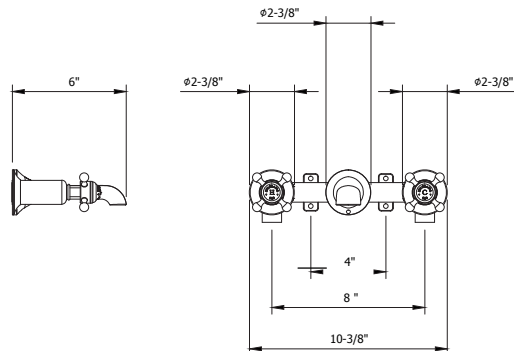


RECOMMENDED WASTES

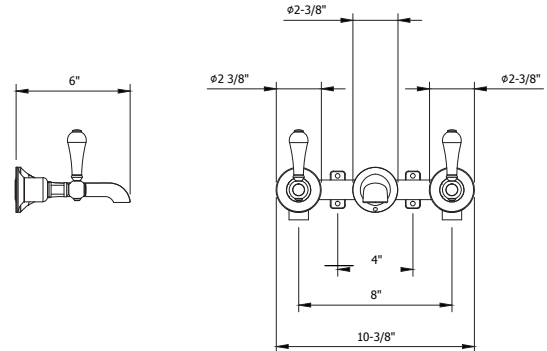
- | | | | |
|---|---|--|---|
| Basin push drain with overflow |  | Basin push drain without overflow |  |
| Polished Chrome US-BSW0117C \$95 | | Polished Chrome US-BSW0101C \$105 | |
| Polished Nickel US-BSW0117N \$135 | | Polished Nickel US-BSW0101N \$175 | |
| Satin Nickel US-BSW0117V \$135 | | Satin Nickel US-BSW0101V \$275 | |
| Unlacquered Brass US-BSW906B \$125 | | | |
- [See page 398](#) for detailed information



Cross Handles



Lever Handles



***12-WEEK LEADTIME**

BELGRAVIA DECK-MOUNT TUB FAUCET WITH HANDSHOWER

- Solid brass construction
- Flühs quarter-turn ceramic disc cartridges
- Single-function handshower with vacuum breaker and 60" hose
- Spout reach: 6-1/2"
- Spout swivel: No
- Tub filler flow rate: 5.5 GPM
- Handshower flow rate: 1.75 or 2.0 GPM
- Massachusetts code approved, IAPMO listed, & CEC compliant (2.0 GPM only)

BELGRAVIA



NEW!

Cross Handle with 2.0 GPM handshower

- Polished Chrome **US-BL440DC** **\$1565**
- Polished Nickel **US-BL440DN** **\$1765**
- Satin Nickel **US-BL440DS** **\$1765***
- Unlacquered Brass **US-BL440DB** **\$1765***

To order the 1.75 GPM model, please insert "175" after "440".

White Lever with 2.0 GPM handshower

- Polished Chrome **US-BL440DC_LV** **\$1565**
- Polished Nickel **US-BL440DN_LV** **\$1765**
- Satin Nickel **US-BL440DS_LV** **\$1765***
- Unlacquered Brass **US-BL440DB_LV** **\$1765***

To order the 1.75 GPM model, please insert "175" after "440".

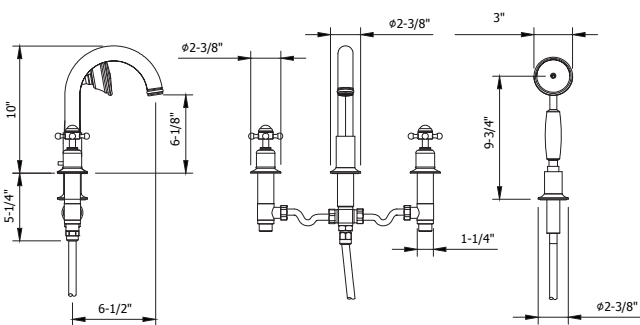
Metal Lever with 2.0 GPM handshower

- Polished Chrome **US-BL440DC_MLV** **\$1565**
- Polished Nickel **US-BL440DN_MLV** **\$1765**
- Satin Nickel **US-BL440DS_MLV** **\$1765***
- Unlacquered Brass **US-BL440DB_MLV** **\$1765***

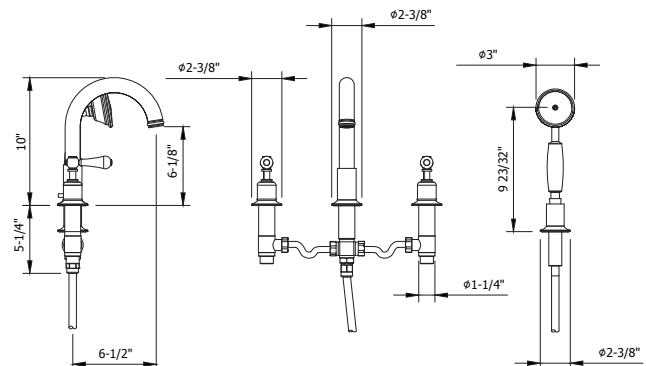
To order the 1.75 GPM model, please insert "175" after "440".



Cross Handles



Lever Handles



***12-WEEK LEADTIME**

BELGRAVIA EXPOSED DECK-MOUNT TUB FAUCET WITH HANDSHOWER

- Solid brass construction
- Flühs quarter-turn ceramic disc cartridges
- Single-function handshower with vacuum breaker and 60" hose
- Spout reach: 6-1/2"
- Spout swivel: No
- Tub filler flow rate: 8.6 GPM
- Handshower flow rate: 1.75 or 2.0 GPM
- For floor-mount installation use US-BL002F floor pillar legs and US-A002ROUGH
- For wall-mount installation use US-BL004W wall unions
- Massachusetts code approved, IAPMO listed & CEC compliant (2.0 GPM only)



NEW!

Cross Handle with 2.0 GPM handshower

- Polished Chrome **US-BL422DC** **\$1565**
- Polished Nickel **US-BL422DN** **\$1765**
- Satin Nickel **US-BL422DS** **\$1765***
- Unlacquered Brass **US-BL422DB** **\$1765***

To order the 1.75 GPM model, please insert "175" after "422".

White Lever with 2.0 GPM handshower

- Polished Chrome **US-BL422DC_LV** **\$1565**
- Polished Nickel **US-BL422DN_LV** **\$1765**
- Satin Nickel **US-BL422DS_LV** **\$1765***
- Unlacquered Brass **US-BL422DB_LV** **\$1765***

To order the 1.75 GPM model, please insert "175" after "422".

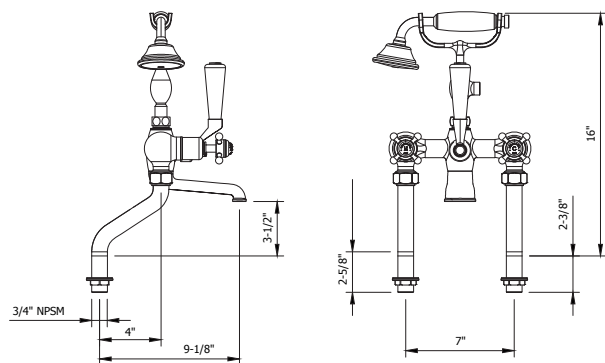
Metal Lever with 2.0 GPM handshower

- Polished Chrome **US-BL422DC_MLV** **\$1565**
- Polished Nickel **US-BL422DN_MLV** **\$1765**
- Satin Nickel **US-BL422DS_MLV** **\$1765***
- Unlacquered Brass **US-BL422DB_MLV** **\$1765***

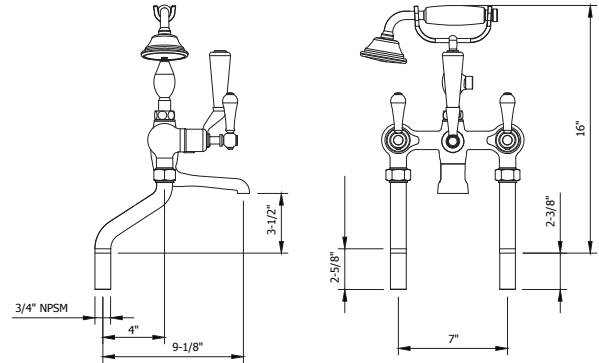
To order the 1.75 GPM model, please insert "175" after "422".



Cross Handles



Lever Handles



***12-WEEK LEADTIME**

BELGRAVIA FLOOR-STANDING PILLAR LEGS

Floor-mounting legs for Belgravia deck tub filler US-BL422D

Solid brass

Height: 27-7/8"

Tub faucet sold separately (US-BL422D)

Massachusetts code approved & IAPMO listed

Required rough sold separately:
US-AA002ROUGH

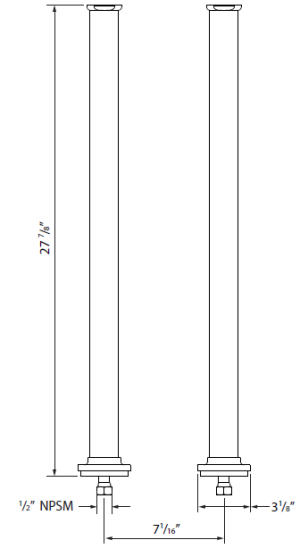
Polished Chrome	US-BL002FC	\$725
Polished Nickel	US-BL002FN	\$795
Satin Nickel	US-BL002FS	\$795*
Unlacquered Brass	US-BL002FB	\$795*

REQUIRED ROUGH

Rough for floor standing pillar legs
US-AA002ROUGH
\$280



See page 407 for detailed information



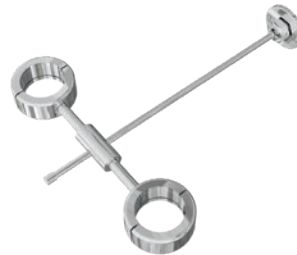
BELGRAVIA

SUPPORT FOR FLOOR-STANDING PILLAR LEGS (OPTIONAL)

Provides additional support

Distance from wall: 3-1/2" - 11"

Polished Chrome	US-PLS002C	\$385
Polished Nickel	US-PLS002N	\$415
Satin Nickel	US-PLS002S	\$415*
Unlacquered Brass	US-PLS002B	\$415*



WALL UNIONS FOR EXPOSED TUB FILLER

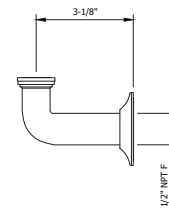
Wall mounting unions for two-handle tub faucets

Solid brass

1/2" NPT female

Massachusetts code approved & IAPMO listed

Polished Chrome	US-BL004WC	\$245
Polished Nickel	US-BL004WN	\$265
Satin Nickel	US-BL004WS	\$265*
Unlacquered Brass	US-BL004WB	\$265*



***12-WEEK LEADTIME**

BELGRAVIA EXPOSED THERMOSTATIC SHOWER SET WITH 8" RAIN HEAD

Solid brass

Vernet thermostatic cartridge and Flühs volume control cartridge

8" shower head features EasyClean nozzles

Plug at the bottom of the thermostatic valve is removable for future addition of handshower or tub spout, if desired (volume control is required)

Shower head swivel: No

Height: 42-7/8"

Projection: 19-3/4"

Shower head flow rate: 2.5 GPM

Inlet supply spread: 7-7/8"

Massachusetts code approved, IAPMO listed & ADA compliant

White Lever

Polished Chrome	US-BEL_SHOWERC	\$2745
Polished Nickel	US-BEL_SHOWERN	\$3285
Satin Nickel	US-BEL_SHOWERS	\$3285*
Unlacquered Brass	US-BEL_SHOWERB	\$3285*

NEW!

Metal Lever

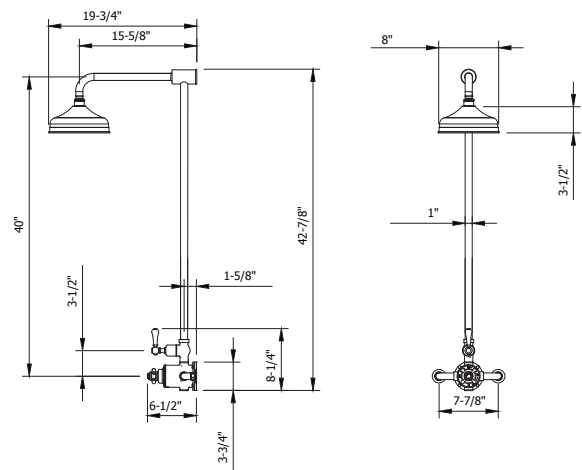
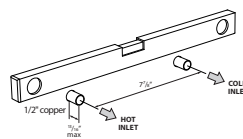
Polished Chrome	US-BEL_SHOWERC_MLV	\$2745
Polished Nickel	US-BEL_SHOWERN_MLV	\$3285
Satin Nickel	US-BEL_SHOWERS_MLV	\$3285*
Unlacquered Brass	US-BEL_SHOWERB_MLV	\$3285*



OPTIONAL RISERS

46" height (to add 10" to overall height)

Polished Chrome	US-BL_RISERC10	\$530
Polished Nickel	US-BL_RISERN10	\$550
Satin Nickel	US-BL_RISERS10	\$550*
Unlacquered Brass	US-BL_RISERB10	\$630*



*12-WEEK LEADTIME

BELGRAVIA EXPOSED THERMOSTATIC SHOWER SET WITH 8" RAIN HEAD AND TUB SPOUT

- Solid brass
- Vernet thermostatic cartridge and Flühs volume control cartridges
- 8" shower head features EasyClean nozzles
- Shower head swivel: No
- Height: 62"
- Projection: 19-3/4"
- Shower head flow rate: 2.5 GPM
- Inlet supply spread: 7-7/8"
- Massachusetts code approved, IAPMO listed & ADA compliant

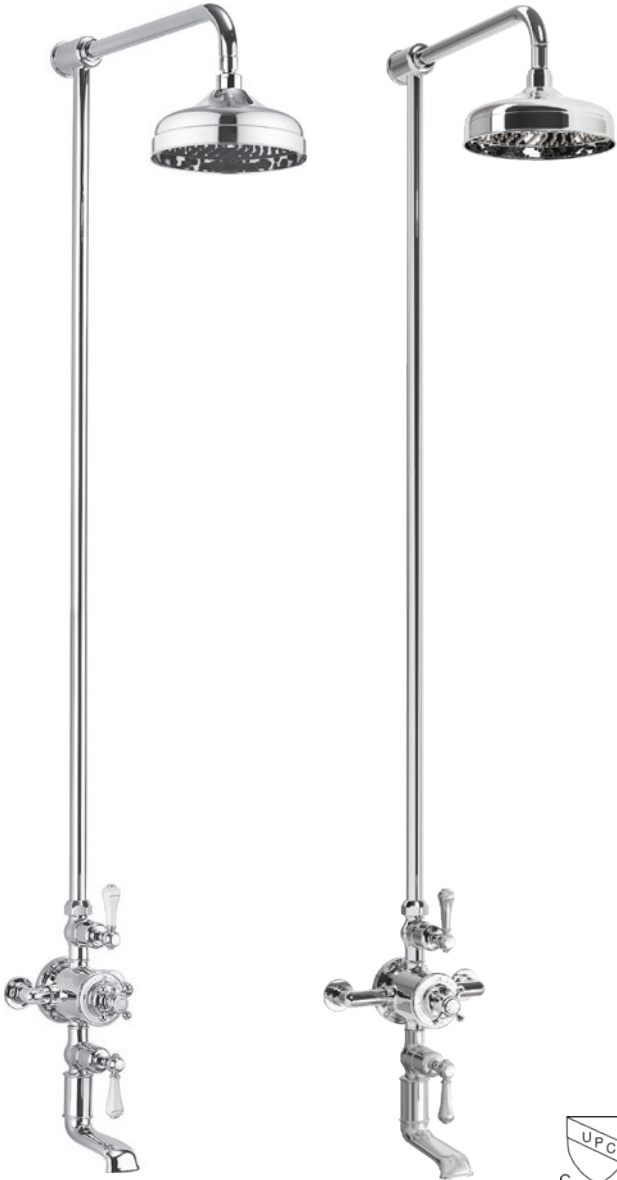
White Lever

Polished Chrome	US-BEL_BSMC	\$3195
Polished Nickel	US-BEL_BSMN	\$3795
Satin Nickel	US-BEL_BSMS	\$3795*
Unlacquered Brass	US-BEL_BSMB	\$3795*

NEW!

Metal Lever

Polished Chrome	US-BEL_BSMC_MLV	\$3195
Polished Nickel	US-BEL_BSMN_MLV	\$3795
Satin Nickel	US-BEL_BSMS_MLV	\$3795*
Unlacquered Brass	US-BEL_BSMB_MLV	\$3795*

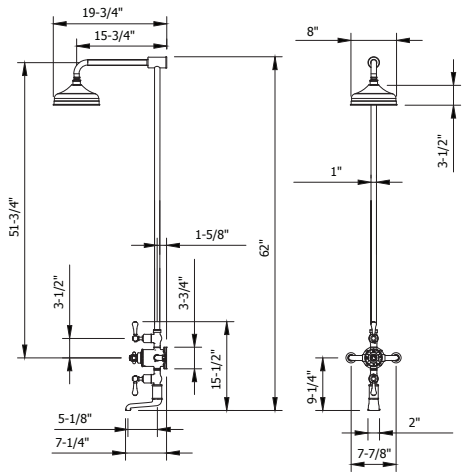
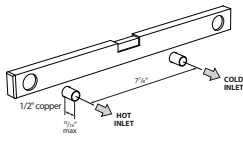


BELGRAVIA

OPTIONAL RISERS

46" height (to add 10" to overall height)

Polished Chrome	US-BL_RISERC10	\$530
Polished Nickel	US-BL_RISERN10	\$550
Satin Nickel	US-BL_RISERS10	\$550*
Unlacquered Brass	US-BL_RISERB10	\$630*



*12-WEEK LEADTIME

BELGRAVIA EXPOSED THERMOSTATIC SHOWER SET WITH 8" RAIN HEAD AND HANDSHOWER ON HOOK

Solid brass
 Vernet thermostatic cartridge and Flühs volume control cartridges
 8" shower head features EasyClean nozzles
 Single-function handshower with vacuum breaker and 60" hose
 Shower head swivel: No
 Height: 47"
 Projection: 19-3/4"
 Shower head flow rate: 2.5 GPM
 Handshower flow rate: 2.0 GPM
 Inlet supply spread: 7-7/8"
 Massachusetts code approved, IAPMO listed & ADA compliant

White Lever

Polished Chrome	US-BEL_BRACKETC	\$3195
Polished Nickel	US-BEL_BRACKETN	\$3795
Satin Nickel	US-BEL_BRACKETS	\$3795*
Unlacquered Brass	US-BEL_BRACKETB	\$3795*

NEW!

Metal Lever

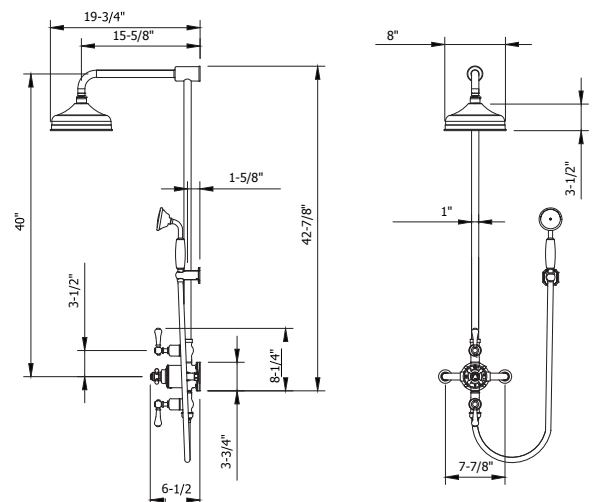
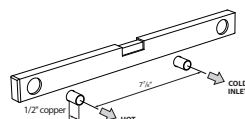
Polished Chrome	US-BEL_BRACKETC_MLV	\$3195
Polished Nickel	US-BEL_BRACKETN_MLV	\$3795
Satin Nickel	US-BEL_BRACKETS_MLV	\$3795*
Unlacquered Brass	US-BEL_BRACKETB_MLV	\$3795*



OPTIONAL RISERS

46" height (to add 10" to overall height)

Polished Chrome	US-BL_RISERC10	\$530
Polished Nickel	US-BL_RISERN10	\$550
Satin Nickel	US-BL_RISERS10	\$550*
Unlacquered Brass	US-BL_RISERB10	\$630*



*12-WEEK LEADTIME

BELGRAVIA EXPOSED THERMOSTATIC SHOWER SET WITH 8" RAIN HEAD AND HANDSHOWER ON SLIDER

- Solid brass
- Vernet thermostatic cartridge and Flühs volume control cartridges
- 8" shower head features EasyClean nozzles
- Single-function handshower with vacuum breaker and 60" hose
- Shower head swivel: No
- Height: 47"
- Projection: 19-3/4"
- Shower head flow rate: 2.5 GPM
- Handshower flow rate: 2.0 GPM
- Inlet supply spread: 7-7/8"
- Massachusetts code approved, IAPMO listed & ADA compliant

White Lever

Polished Chrome	US-BEL_SLIDERC	\$3195
Polished Nickel	US-BEL_SLIDERN	\$3795
Satin Nickel	US-BEL_SLIDERS	\$3795*
Unlacquered Brass	US-BEL_SLIDERB	\$3795*

NEW!

Metal Lever

Polished Chrome	US-BEL_SLIDERC_MLV	\$3195
Polished Nickel	US-BEL_SLIDERN_MLV	\$3795
Satin Nickel	US-BEL_SLIDERS_MLV	\$3795*
Unlacquered Brass	US-BEL_SLIDERB_MLV	\$3795*

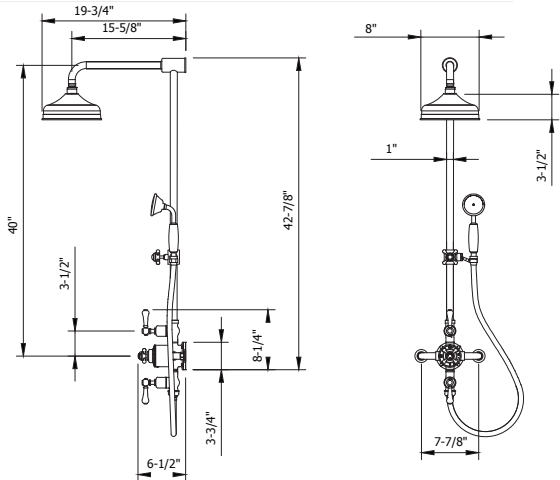
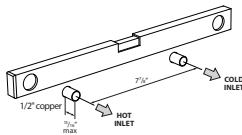


BELGRAVIA

OPTIONAL RISERS

46" height (to add 10" to overall height)

Polished Chrome	US-BL_RISERC10	\$530
Polished Nickel	US-BL_RISERN10	\$550
Satin Nickel	US-BL_RISERS10	\$550*
Unlacquered Brass	US-BL_RISERB10	\$630*



*12-WEEK LEADTIME

BELGRAVIA EXPOSED THERMOSTATIC SHOWER SET WITH 8" RAINHEAD AND HANDSHOWER ON CRADLE

Solid brass

Vernet thermostatic cartridge and Flühs volume control cartridges

8" shower head features EasyClean nozzles

Single-function handshower with vacuum breaker and 60" hose

Shower head swivel: No

Height: 47"

Projection: 19-3/4"

Shower head flow rate: 2.5 GPM

Handshower flow rate: 2.0 GPM

Inlet supply spread: 7-7/8"

Massachusetts code approved, IAPMO listed & ADA compliant

White Lever

Polished Chrome	US-BEL_CRADLEC	\$3195
Polished Nickel	US-BEL_CRADLEN	\$3795
Satin Nickel	US-BEL_CRADLES	\$3795*
Unlacquered Brass	US-BEL_CRADLEB	\$3795*

NEW!

Metal Lever

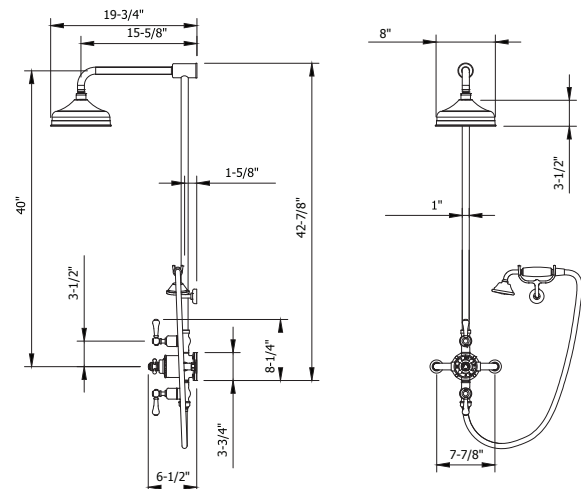
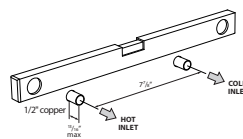
Polished Chrome	US-BEL_CRADLEC_MLV	\$3195
Polished Nickel	US-BEL_CRADLEN_MLV	\$3795
Satin Nickel	US-BEL_CRADLES_MLV	\$3795*
Unlacquered Brass	US-BEL_CRADLEB_MLV	\$3795*



OPTIONAL RISERS

46" height (to add 10" to overall height)

Polished Chrome	US-BL_RISERC10	\$530
Polished Nickel	US-BL_RISERN10	\$550
Satin Nickel	US-BL_RISERS10	\$550*
Unlacquered Brass	US-BL_RISERB10	\$630*



*12-WEEK LEADTIME

BELGRAVIA 1000 THERMOSTATIC VALVE TRIM

Single integrated volume control for 1 water outlet

Required rough features Vernet thermostatic cartridge and Flühs volume control cartridge

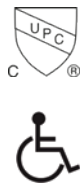
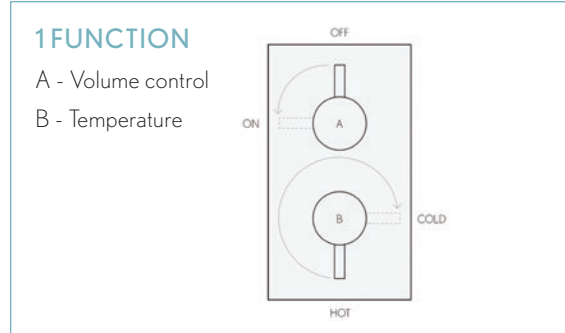
The thermostatic valve senses and controls the actual water temperature and blends hot water with cold water to ensure constant, safe temperatures, preventing scalding.

Integral shut-off return valve with filters to prevent cross flow

Flow rate: 12 GPM at 60 PSI

Massachusetts code approved, IAPMO listed & ADA compliant

Required rough sold separately: US-WLBP1000R



Cross Handle

Polished Chrome	US-BL1000RC	\$565
Polished Nickel	US-BL1000RN	\$625
Satin Nickel	US-BL1000RS	\$625*
Unlacquered Brass	US-BL1000RB	\$625*

White Lever

Polished Chrome	US-BL1000RC_LV	\$565
Polished Nickel	US-BL1000RN_LV	\$625
Satin Nickel	US-BL1000RS_LV	\$625*
Unlacquered Brass	US-BL1000RB_LV	\$625*

NEW!

Metal Lever

Polished Chrome	US-BL1000RC_MLV	\$565
Polished Nickel	US-BL1000RN_MLV	\$625
Satin Nickel	US-BL1000RS_MLV	\$625*
Unlacquered Brass	US-BL1000RB_MLV	\$625*

BELGRAVIA

REQUIRED ROUGH

1000 3/4" thermostatic rough with single integrated volume control
US-WLBP1000R \$395

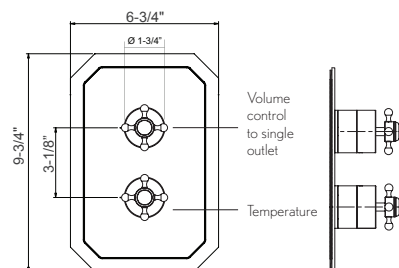


Extension Kit:

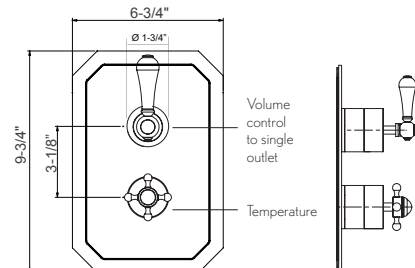
Polished Chrome	US-EK101525C	\$170
Polished Nickel	US-EK101525N	\$220
Satin Nickel	US-EK101525V	\$220

See page 408 for detailed information

Cross Handles



Lever Handles



***12-WEEK LEADTIME**

BELGRAVIA 1500 THERMOSTATIC VALVE TRIM

Integrated volume control/diverter for 2 water outlets
 Required rough features Vernet thermostatic cartridge

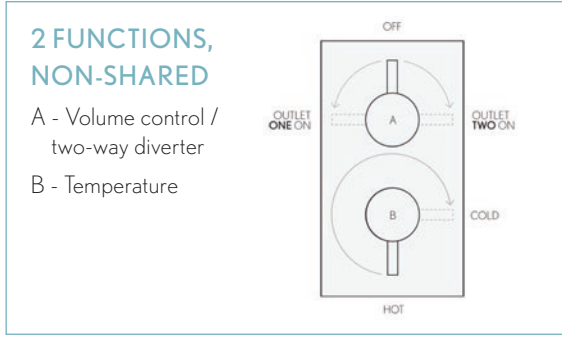
The thermostatic valve senses and controls the actual water temperature and blends hot water with cold water to ensure constant, safe temperatures, preventing scalding.

Integral shut-off return valve with filters to prevent cross flow

Flow rate: 11 GPM at 60 PSI

Massachusetts code approved, IAPMO listed & ADA compliant

Required rough sold separately: US-WLBP1500R



Cross Handle

Polished Chrome	US-BL1500RC	\$565
Polished Nickel	US-BL1500RN	\$625
Satin Nickel	US-BL1500RS	\$625*
Unlacquered Brass	US-BL1500RB	\$625*

White Lever

Polished Chrome	US-BL1500RC_LV	\$565
Polished Nickel	US-BL1500RN_LV	\$625
Satin Nickel	US-BL1500RS_LV	\$625*
Unlacquered Brass	US-BL1500RB_LV	\$625*

NEW!

Metal Lever

Polished Chrome	US-BL1500RC_MLV	\$565
Polished Nickel	US-BL1500RN_MLV	\$625
Satin Nickel	US-BL1500RS_MLV	\$625*
Unlacquered Brass	US-BL1500RB_MLV	\$625*

REQUIRED ROUGH

1500 3/4" thermostatic rough with integrated volume control/diverter for independent two-outlet use
US-WLBP1500R \$495

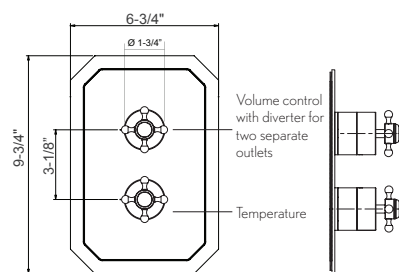


Extension Kit:

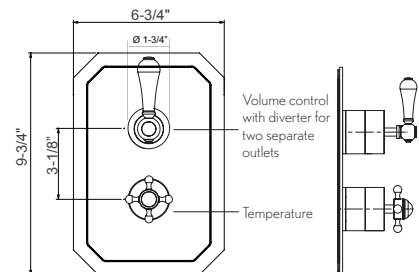
Polished Chrome	US-EK101525C	\$170
Polished Nickel	US-EK101525N	\$220
Satin Nickel	US-EK101525V	\$220

See page 409 for detailed information

Cross Handles



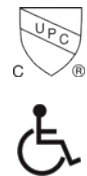
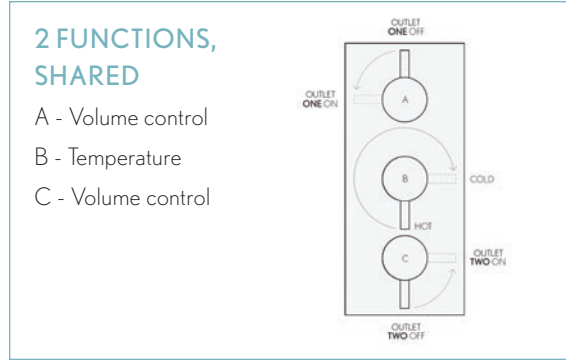
Lever Handles



***12-WEEK LEADTIME**

BELGRAVIA 2000 THERMOSTATIC VALVE TRIM

Two integrated volume controls for 2 water outlets
 Required rough features Vernet thermostatic cartridge
 The thermostatic valve senses and controls the actual water temperature and blends hot water with cold water to ensure constant, safe temperatures, preventing scalding.
 Integral shut-off return valve with filters to prevent cross flow
 Flow rate: 13 GPM at 60 PSI
 Massachusetts code approved, IAPMO listed & ADA compliant
Required rough sold separately: US-WLBP2000R



Cross Handle

Polished Chrome	US-BL2000RC	\$875
Polished Nickel	US-BL2000RN	\$965
Satin Nickel	US-BL2000RS	\$965*
Unlacquered Brass	US-BL2000RB	\$965*

White Lever

Polished Chrome	US-BL2000RC_LV	\$875
Polished Nickel	US-BL2000RN_LV	\$965
Satin Nickel	US-BL2000RS_LV	\$965*
Unlacquered Brass	US-BL2000RB_LV	\$965*

NEW!

Metal Lever

Polished Chrome	US-BL2000RC_MLV	\$875
Polished Nickel	US-BL2000RN_MLV	\$965
Satin Nickel	US-BL2000RS_MLV	\$965*
Unlacquered Brass	US-BL2000RB_MLV	\$965*

BELGRAVIA

REQUIRED ROUGH

2000 3/4" thermostatic rough with two integrated volume controls
US-WLBP2000R \$495

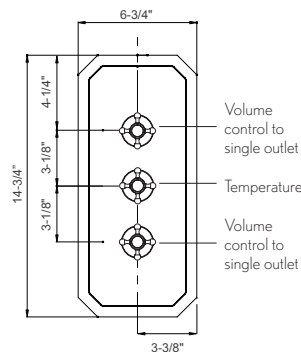


Extension Kit:

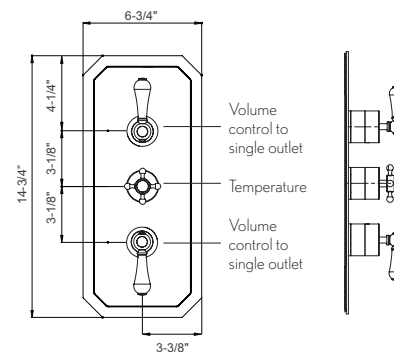
Polished Chrome	US-EK2000C	\$250
Polished Nickel	US-EK2000N	\$330
Satin Nickel	US-EK2000V	\$330

See page 410 for detailed information

Cross Handles



Lever Handles



*12-WEEK LEADTIME

BELGRAVIA 2500 THERMOSTATIC VALVE TRIM

Integrated volume control/three-way diverter for 3 water outlets

Required rough features Vernet thermostatic cartridge

The thermostatic valve senses and controls the actual water temperature and blends hot water with cold water to ensure constant, safe temperatures, preventing scalding.

Integral shut-off return valve with filters to prevent cross flow

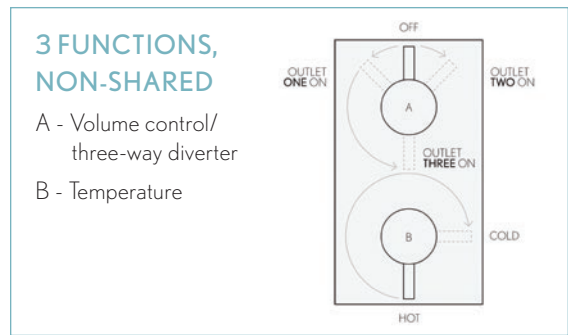
Flow rate: 12 GPM at 60 PSI

Massachusetts code approved, IAPMO listed & ADA compliant

Required rough sold separately: US-WLBP2500R

Cross Handle

Polished Chrome	US-BL2500RC	\$565
Polished Nickel	US-BL2500RN	\$625
Satin Nickel	US-BL2500RS	\$625*
Unlacquered Brass	US-BL2500RB	\$625*



REQUIRED ROUGH

2500 3/4" thermostatic rough with single integrated volume control/three-way diverter

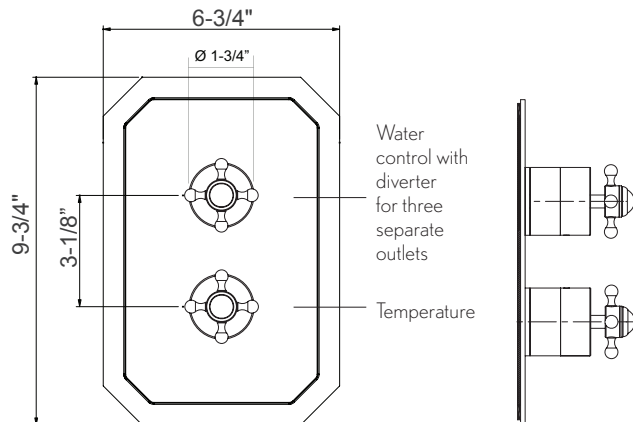
US-WLBP2500R \$595



Extension Kit:

Polished Chrome	US-EK101525C	\$170
Polished Nickel	US-EK101525N	\$220
Satin Nickel	US-EK101525V	\$220

See page 411 for detailed information



***12-WEEK LEADTIME**

BELGRAVIA 3000 THERMOSTATIC VALVE TRIM

Integrated volume control and volume control/
two-way diverter for 3 water outlets

Required rough features Vernet thermostatic cartridge

The thermostatic valve senses and controls the actual
water temperature and blends hot water with cold water to
ensure constant, safe temperatures, preventing scalding.

Integral shut-off return valve with
filters to prevent cross flow

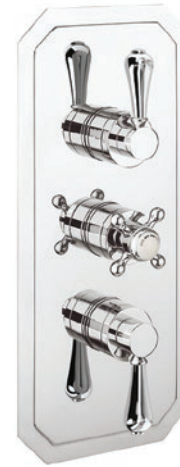
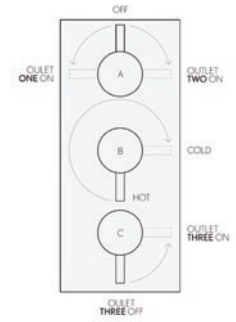
Flow rate: 12 GPM at 60 PSI

Massachusetts code approved,
IAPMO listed & ADA compliant

Required rough sold separately: US-WLBP3000R

3 FUNCTIONS, 2 OUTLETS SHARED

- A - Volume control /
two-way diverter
- B - Temperature
- C - Volume control



Cross Handle

Polished Chrome	US-BL3000RC	\$875
Polished Nickel	US-BL3000RN	\$965
Satin Nickel	US-BL3000RS	\$965*
Unlacquered Brass	US-BL3000RB	\$965*

White Lever

Polished Chrome	US-BL3000RC_LV	\$875
Polished Nickel	US-BL3000RN_LV	\$965
Satin Nickel	US-BL3000RS_LV	\$965*
Unlacquered Brass	US-BL3000RB_LV	\$965*

NEW!

Metal Lever

Polished Chrome	US-BL3000RC_MLV	\$875
Polished Nickel	US-BL3000RN_MLV	\$965
Satin Nickel	US-BL3000RS_MLV	\$965*
Unlacquered Brass	US-BL3000RB_MLV	\$965*

BELGRAVIA

REQUIRED ROUGH

3000 3/4" thermostatic rough
with integrated volume control and
volume control/two-way diverter
US-WLBP3000R \$595

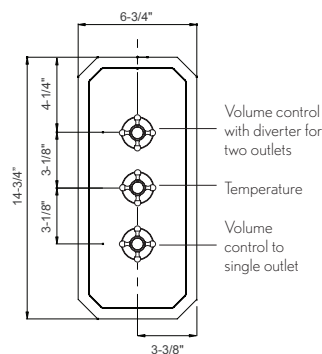


Extension Kit:

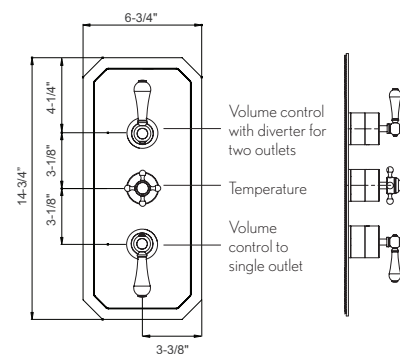
Polished Chrome	US-EK2000C	\$250
Polished Nickel	US-EK2000N	\$330
Satin Nickel	US-EK2000V	\$330

See page 412 for detailed information

Cross Handles



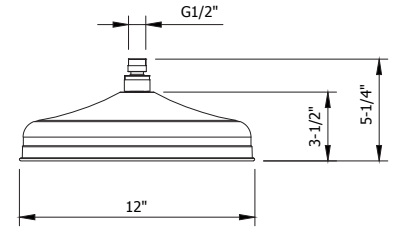
Lever Handles



*12-WEEK LEADTIME

BELGRAVIA 12" RAIN HEAD

Solid brass
 Single rain spray
 12" diameter
 EasyClean anti-limescale nozzles
 Swivel: No
 Flow rate: 2.5 GPM
 Inlet connection size: G 1/2"
 (compatible with 1/2" NPT)
 Massachusetts code approved & IAPMO listed

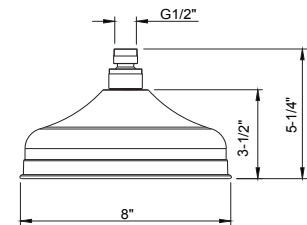


Polished Chrome	US-FH12C	\$655
Polished Nickel	US-FH12N	\$725
Satin Nickel	US-FH12S	\$795*
Unlacquered Brass	US-FH12B	\$725*



BELGRAVIA 8" RAIN HEAD

Solid brass
 Single rain spray
 8" diameter
 EasyClean anti-limescale nozzles
 Swivel: No
 Flow rate: 2.5 GPM
 Inlet connection: G 1/2" (compatible with 1/2" NPT)
 Massachusetts code approved & IAPMO listed

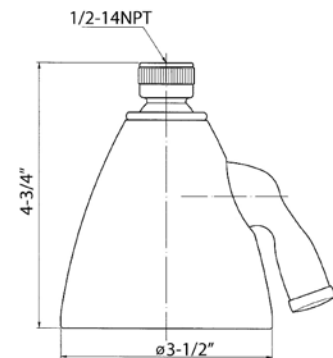


Polished Chrome	US-FH08C_EC	\$475
Polished Nickel	US-FH08N_EC	\$525
Satin Nickel	US-FH08S_EC	\$565*
Unlacquered Brass	US-FH08B_EC	\$525*



ELEMENTS 8-JET SHOWER HEAD

Solid brass
 Adjustable spray - wide to narrow rain
 3-1/2" diameter
 Anti-limescale nozzles
 Swivel: Yes
 Flow rate: 1.75 GPM
 Inlet connection size: 1/2" NPT
 Massachusetts code approved & IAPMO listed



Polished Chrome	US-SH08C	\$275
Polished Nickel	US-SH08N	\$325
Satin Nickel	US-SH08S	\$375
Unlacquered Brass	US-SH08B	\$275

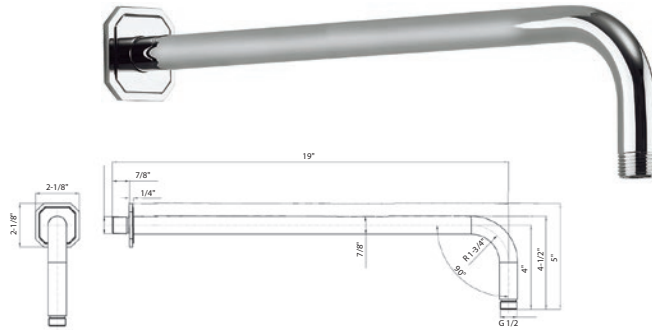


***12-WEEK LEADTIME**

TRADITIONAL 18" SHOWER ARM AND FLANGE

Solid brass
 Projection: 18-1/8"
 Inlet connection: 1/2" NPT

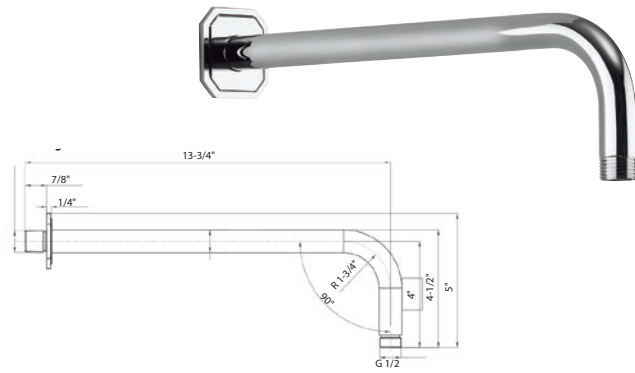
Polished Chrome	US-BL695C	\$155
Polished Nickel	US-BL695N	\$175
Satin Nickel	US-BL695V	\$175
Unlacquered Brass	US-BL695B	\$175



TRADITIONAL 13" SHOWER ARM AND FLANGE

Solid brass
 Projection: 13"
 Inlet connection: 1/2" NPT male
 IAPMO listed

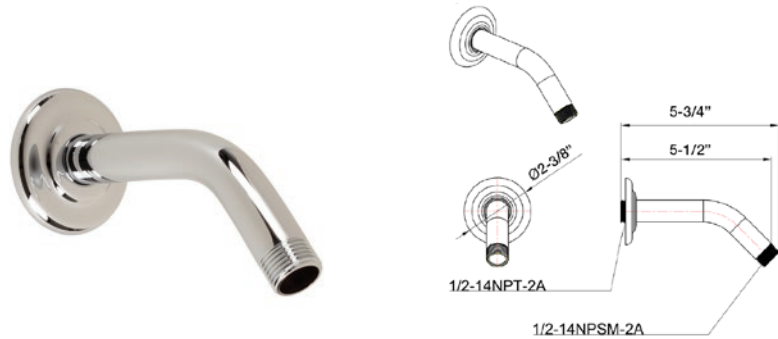
Polished Chrome	US-BL685C	\$135
Polished Nickel	US-BL685N	\$165
Satin Nickel	US-BL685V	\$165
Unlacquered Brass	US-BL685B	\$165



BELGRAVIA SHOWER ARM AND FLANGE

Solid brass
 Projection: 5-1/2"
 Inlet connection: 1/2" NPT

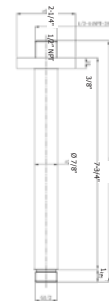
Polished Chrome	US-BL664C	\$75
Polished Nickel	US-BL664N	\$85
Satin Nickel	US-BL664S	\$125*
Unlacquered Brass	US-BL664B	\$125*



8" CEILING-MOUNT SHOWER ARM AND FLANGE

Solid brass
 Projection: 7-3/4"
 Inlet connection: 1/2" NPT male
 IAPMO listed

Polished Chrome	US-PRO689C	\$95
Polished Nickel	US-PRO689N	\$125
Satin Nickel	US-PRO689V	\$125
Unlacquered Brass	US-PRO689B	\$95



*12-WEEK LEADTIME

Handshower sets

BELGRAVIA HANDSHOWER SET WITH HOSE AND BRACKET WITH OUTLET

Single-spray

60" decorative metal hose

Wall bracket includes vacuum breaker

Flow rate: 1.75 or 2.0 GPM

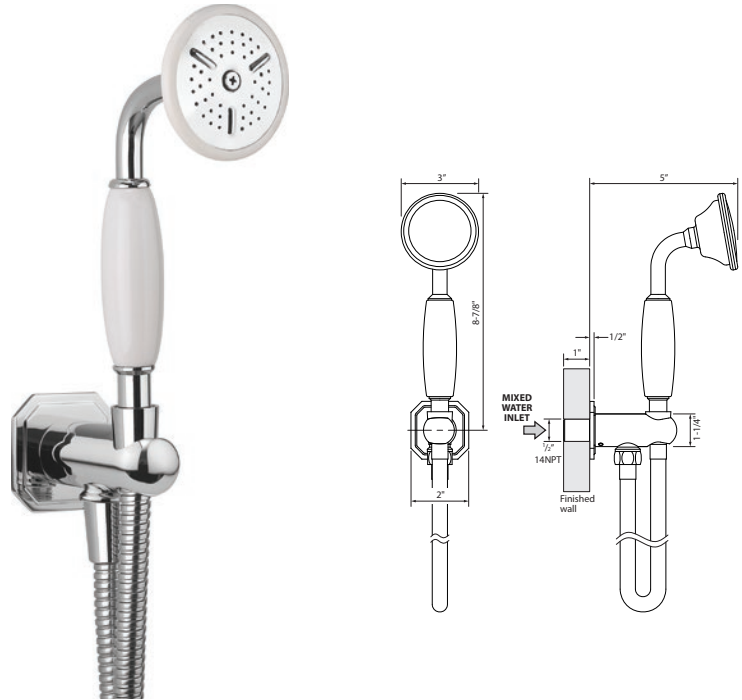
Inlet connection: 1/2" NPT male

Massachusetts code approved (2.0 GPM only)

With 2.0 GPM handshower

Polished Chrome	US-BL964C	\$365
Polished Nickel	US-BL964N	\$395
Satin Nickel	US-BL964S	\$395*
Unlacquered Brass	US-BL964B	\$395*

To order the 1.75 GPM model, please insert "175" after "964".



BELGRAVIA HANDSHOWER RAIL SET

Set includes handshower, hose, slide rail and wall outlet

Single-function spray

Handshower includes vacuum breaker and flow restrictor

24" adjustable bar with bracket

60" decorative metal hose included

Flow rate: 1.75 or 2.0 GPM

Inlet connection: 1/2" NPT

With 2.0 GPM handshower

Polished Chrome	US-BL931C	\$995
Polished Nickel	US-BL931N	\$1095
Satin Nickel	US-BL931S	\$1095*
Unlacquered Brass	US-BL931B	\$1095*

To order the 1.75 GPM model, please replace "931" with "930".



***12-WEEK LEADTIME**

BELGRAVIA HANDSHOWER

Single spray

Flow rate: 1.75 or 2.0 GPM

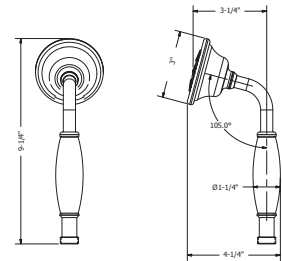
Massachusetts code approved & IAPMO listed

CEC compliant & WaterSense compliant (1.75 GPM only)

2.0 GPM Handshower

Polished Chrome	US-BLHANDSETC	\$135
Polished Nickel	US-BLHANDSETN	\$145
Satin Nickel	US-BLHANDSETS	\$145*
Unlacquered Brass	US-BLHANDSETB	\$145*

To order the 1.75 GPM model, please insert "175" after "HANDSET".



BELGRAVIA

59" HANDSHOWER HOSE

Double-spiral brass hose

Length: 59"

1/2" female threads

IAPMO listed (US-SH970 only)

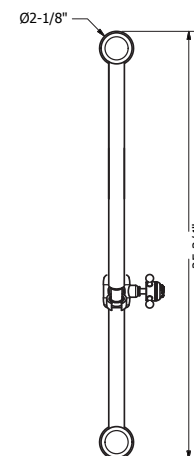
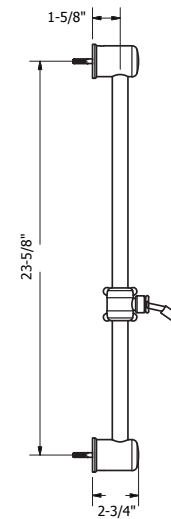
Polished Chrome	US-SH970C	\$95
Polished Nickel	US-SH970N	\$115
Satin Nickel	US-SH970V	\$125
Unlacquered Brass	US-SH977B	\$125



BELGRAVIA HANDSHOWER RAIL

Length: 25-3/4"

Polished Chrome	US-BL850C	\$825
Polished Nickel	US-BL850N	\$895
Satin Nickel	US-BL850S	\$895*
Unlacquered Brass	US-BL850B	\$895*

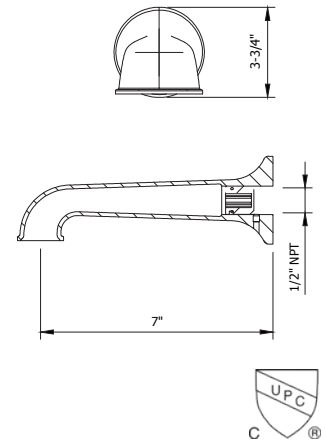


***12-WEEK LEADTIME**

BELGRAVIA WALL TUB SPOUT

Solid brass
 Spout reach: 7"
 Inlet supply: 1/2" NPT female
 Massachusetts code approved & IAPMO listed

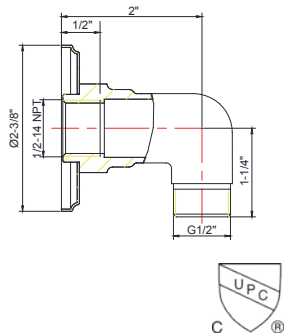
Polished Chrome	US-BL0370WC	\$245
Polished Nickel	US-BL0370WN	\$275
Satin Nickel	US-BL0370WS	\$275*
Unlacquered Brass	US-BL0370WB	\$275*



TRADITIONAL WALL OUTLET

Includes vacuum breaker
 Inlet connection size: 1/2" NPT female
 Massachusetts code approved & IAPMO listed

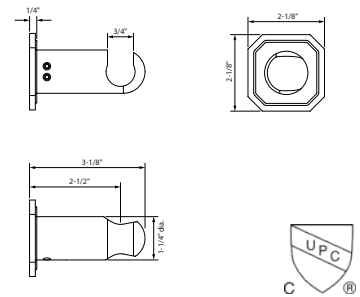
Polished Chrome	US-ARC953C	\$105
Polished Nickel	US-ARC953N	\$125
Satin Nickel	US-ARC953S	\$125*
Unlacquered Brass	US-ARC953B	\$125*



TRADITIONAL WALL BRACKET

Massachusetts code approved & IAPMO listed

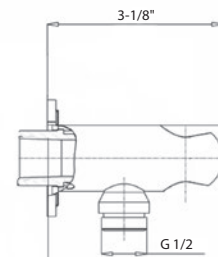
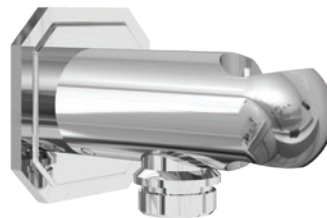
Polished Chrome	US-BL953C	\$115
Polished Nickel	US-BL953N	\$145
Satin Nickel	US-BL953V	\$145*
Unlacquered Brass	US-BL953B	\$145*



TRADITIONAL WALL BRACKET WITH OUTLET

Includes vacuum breaker
 Inlet connection size: 1/2" NPT female
 IAPMO listed

Polished Chrome	US-BL963C	\$135
Polished Nickel	US-BL963N	\$165
Satin Nickel	US-BL963S	\$165*
Unlacquered Brass	US-BL963B	\$165*



***12-WEEK LEADTIME**

BELGRAVIA PAPER HOLDER

Polished Chrome	US-BL029C	\$95
Polished Nickel	US-BL029N	\$105

**BELGRAVIA ROBE HOOK**

Polished Chrome	US-BL022C	\$65
Polished Nickel	US-BL022N	\$75

**BELGRAVIA TOWEL RING**

Polished Chrome	US-BL013C	\$95
Polished Nickel	US-BL013N	\$115

**BELGRAVIA 24" TOWEL BAR**

Note: Bar cannot be cut

Polished Chrome	US-BL023C	\$165
Polished Nickel	US-BL023N	\$225



BELGRAVIA



Belgravia Tall Spout Widespread Basin Faucet in Polished Nickel
(US-BL135DPN)

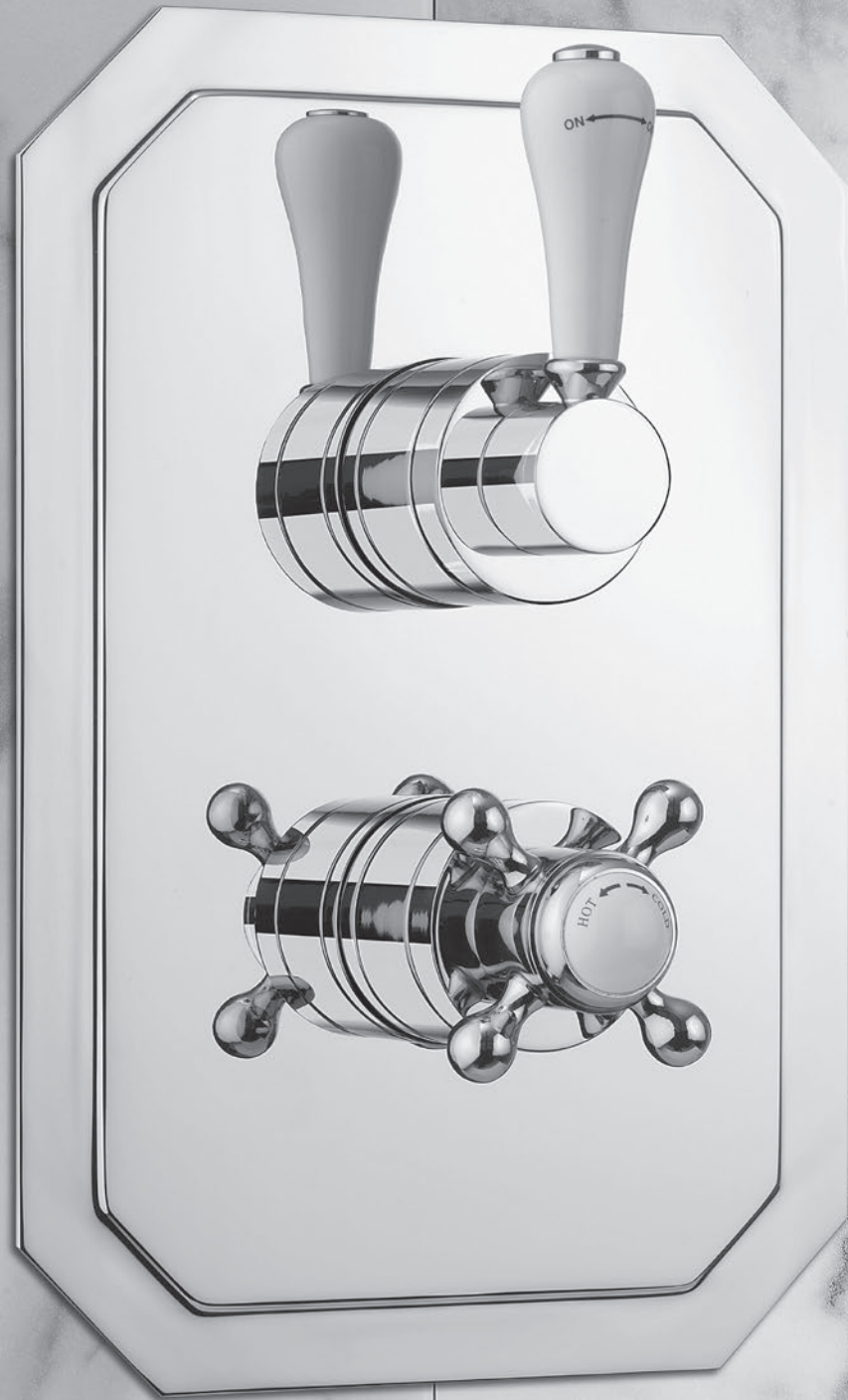


Belgravia Exposed Thermostatic Shower Set with 8" Rain Head
in Polished Nickel (US-BEL_SHOWERN)

BELGRAVIA



Belgravia Widespread Basin Faucet with Cross Handles
in Polished Nickel (US-BL130DPN)



Belgravia 1000/1500 Thermostatic Valve Trim
with White Lever Handle in Polished Chrome
(US-BL1000RC_LV/US-BL1500RC_LV)

BELGRAVIA



Belgravia Exposed Thermostatic Shower Set with 8" Rain Head and Handshower on Slider in Polished Nickel (US-BEL_SLIDERN)



Belgravia Exposed Tub Faucet with Handshower and Cross Handles in Polished Chrome (US-BL422DC)



Wisp Single-hole Basin Faucet in Polished Chrome
(US-WP110DPC)

WISP



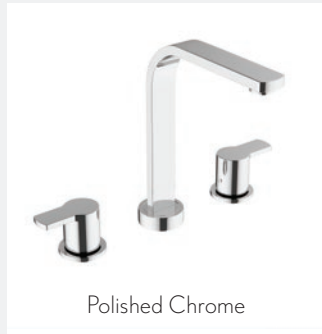
MINIMALIST LINES.
MAXIMUM IMPACT.

The Wisp Collection offers a sleek profile in luxuriously smooth finishes for a crisp, cohesive bathroom design. Defining contemporary with simple elegance.

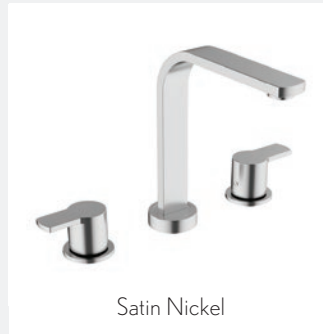
WISP



AVAILABLE FINISHES



Polished Chrome



Satin Nickel

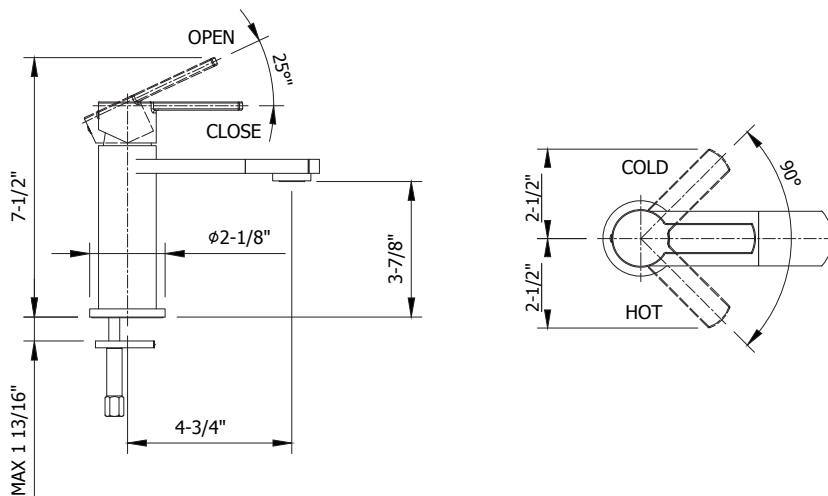
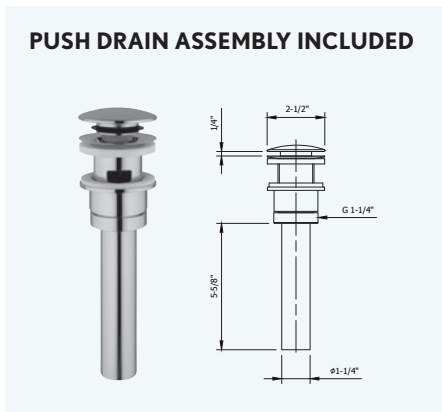
WISP SINGLE-HOLE BASIN FAUCET

- _____ Solid brass construction
- _____ Kerox ceramic disc cartridge
- _____ Push drain assembly included
- _____ Spout reach: 4-3/4"
- _____ Spout swivel: No
- _____ Massachusetts code approved,
IAPMO listed, ADA compliant & CEC compliant

Polished Chrome **US-WP110DPC** **\$425**
 Satin Nickel **US-WP110DPV** **\$565**



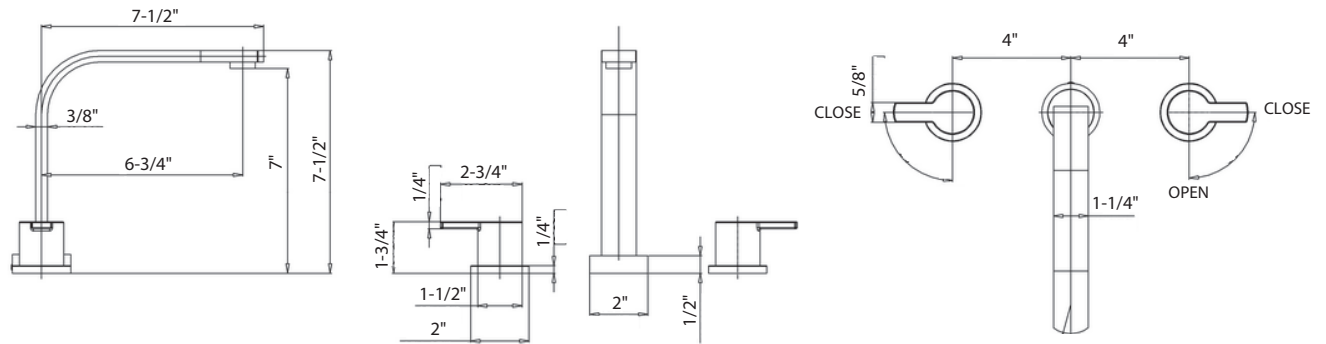
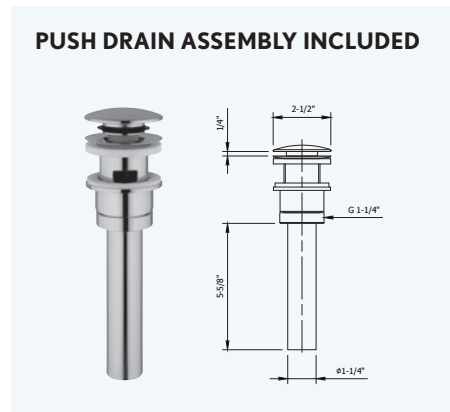
WISP



WISP WIDESPREAD BASIN FAUCET

- Solid brass construction
- Flühs quarter-turn ceramic disc cartridges
- Push drain assembly included
- Spout reach: 6-3/4"
- Spout swivel: Yes
- IAPMO listed

Polished Chrome	US-WP130DPC	\$745
Satin Nickel	US-WP130DPV	\$995



WISP WALL-MOUNT SINGLE-LEVER BASIN FAUCET TRIM

- Solid brass construction
- Kerox ceramic disc cartridge
- Right-hand mixer handle
(handle orientation cannot be changed)
- Push drain assembly sold separately
- Spout reach: 7"
- Spout swivel: No
- Massachusetts code approved, IAPMO listed,
ADA compliant, CEC compliant
& WaterSense compliant
- Required rough sold separately: US-120ROUGH**



Polished Chrome	US-WP120WNC	\$345
Satin Nickel	US-WP120WNV	\$465



WISP



REQUIRED ROUGH

- Rough for wall-mount basin faucet
- Polished Chrome
US-120ROUGH-C \$330
- Satin Nickel
US-120ROUGH-V \$330

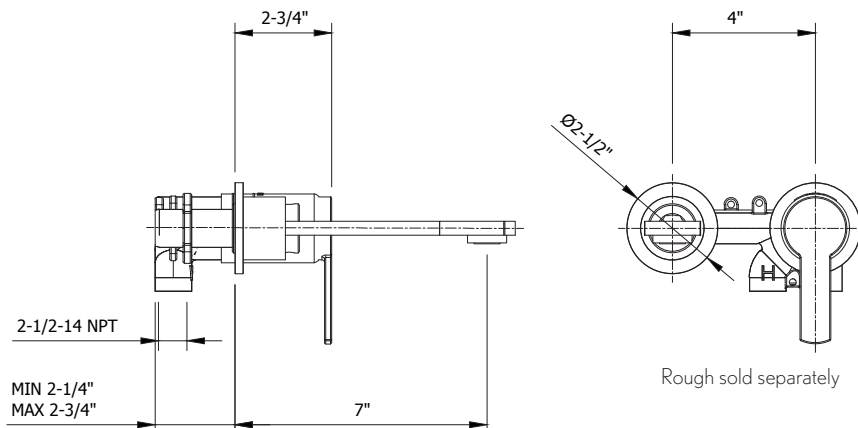


See [page 406](#) for detailed information

RECOMMENDED WASTES

- | | | | |
|--|---|---|---|
| Basin push drain with overflow |  | Basin push drain without overflow |  |
| Polished Chrome
US-BSW0117C \$95 | | Polished Chrome
US-BSW0101C \$105 | |
| Satin Nickel
US-BSW0117V \$135 | | Satin Nickel
US-BSW0101V \$275 | |

See [page 398](#) for detailed information



WISP FLOOR-MOUNT THERMOSTATIC TUB FILLER WITH HANDSHOWER

- Solid brass construction
- Vernet thermostatic cartridge
- Single-function handshower with vacuum breaker and 60" hose
- Spout reach: 9-3/8"
- Height to spout: 34-1/2"
- Spout swivel: Yes
- Tub filler flow rate: 5.0 GPM
- Handshower flow rate: 1.75 or 2.0 GPM
- IAPMO listed
- Required rough sold separately: US-418ROUGH**

With 2.0 GPM handshower

Note: Discontinued when sold through

Polished Chrome **US-WP425TFC \$2160**

Satin Nickel **US-WP425TFV \$2960**

With 1.75 GPM handshower

Polished Chrome **US-WP425175TFC \$2195**

Satin Nickel **US-WP425175TFV \$2995**

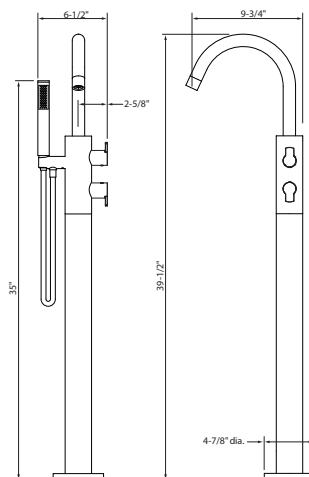


REQUIRED ROUGH

Rough for floor-mount single-lever tub filler
US-418ROUGH \$330



See page 407 for detailed information



WISP 1000 THERMOSTATIC VALVE TRIM

Single integrated volume control for 1 water outlet

Required rough features Vernet thermostatic cartridge and Flühs volume control cartridge

The thermostatic valve senses and controls the actual water temperature and blends hot water with cold water to ensure constant, safe temperatures, preventing scalding.

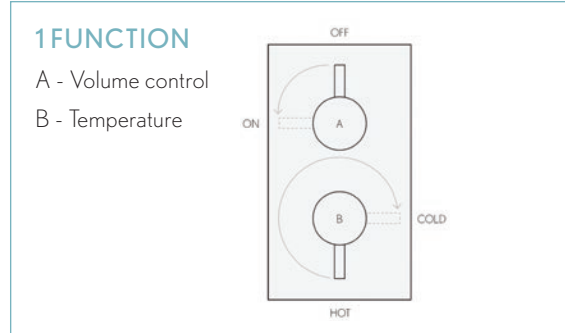
Integral shut-off return valve with filters to prevent cross flow

Flow rate: 12 GPM at 60 PSI

Massachusetts code approved, IAPMO listed & ADA compliant

Required rough sold separately: US-WLBP1000R

Polished Chrome	US-WP1000RC	\$355
Satin Nickel	US-WP1000RV	\$475



WISP

REQUIRED ROUGH

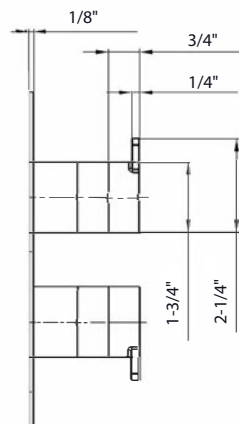
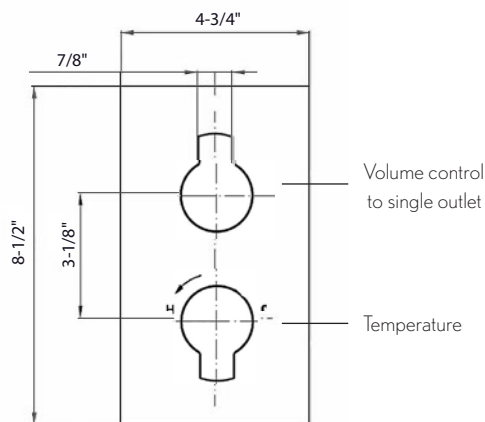
1000 3/4" thermostatic rough with single integrated volume control
US-WLBP1000R \$395



Extension Kit:

Polished Chrome	US-EK101525C	\$170
Satin Nickel	US-EK101525V	\$220

See [page 408](#) for detailed information



WISP 1500 THERMOSTATIC VALVE TRIM

Integrated volume control/diverter for 2 water outlets
 Required rough features Vernet thermostatic cartridge

The thermostatic valve senses and controls the actual water temperature and blends hot water with cold water to ensure constant, safe temperatures, preventing scalding.

Integral shut-off return valve with filters to prevent cross flow

Flow rate: 11 GPM at 60 PSI

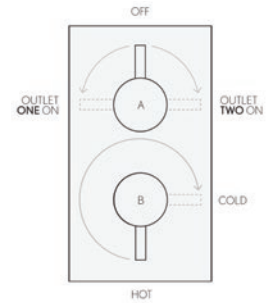
Massachusetts code approved, IAPMO listed & ADA compliant

Required rough sold separately: US-WLBP1500R

Polished Chrome **US-WP1500RC \$355**
 Satin Nickel **US-WP1500RV \$475**

2 FUNCTIONS, NON-SHARED

A - Volume control / two-way diverter
 B - Temperature



REQUIRED ROUGH

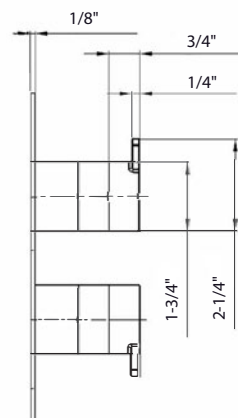
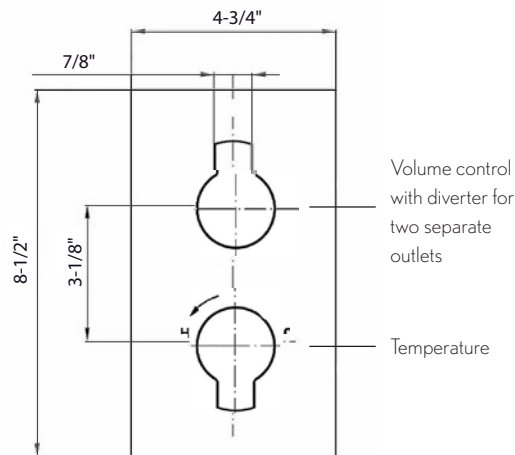
1500 3/4" thermostatic rough with integrated volume control/diverter for independent two-outlet use
US-WLBP1500R \$495



Extension Kit:

Polished Chrome **US-EK101525C \$170**
 Satin Nickel **US-EK101525V \$220**

See page 409 for detailed information

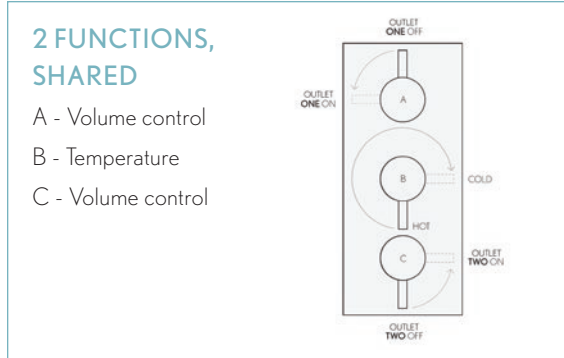


WISP 2000 THERMOSTATIC VALVE TRIM

Two integrated volume controls for 2 water outlets
 Required rough features Vernet thermostatic cartridge
 The thermostatic valve senses and controls the actual water temperature and blends hot water with cold water to ensure constant, safe temperatures, preventing scalding.
 Integral shut-off return valve with filters to prevent cross flow
 Flow rate: 13 GPM at 60 PSI
 Massachusetts code approved, IAPMO listed & ADA compliant

Required rough sold separately: US-WLBP2000R

Polished Chrome	US-WP2000RC	\$365
Satin Nickel	US-WP2000RV	\$495



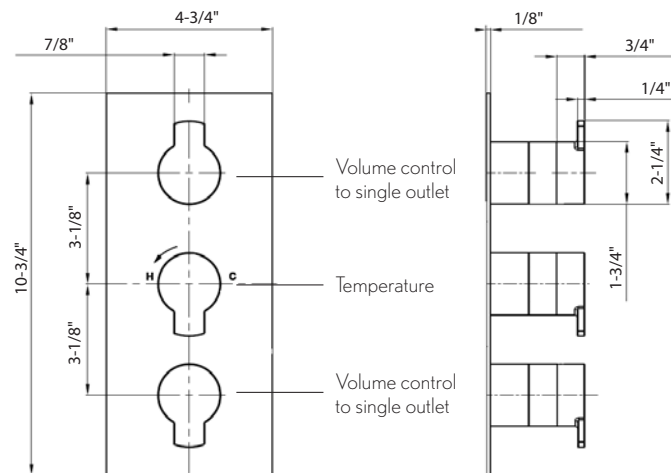
REQUIRED ROUGH

2000 3/4" thermostatic rough with two integrated volume controls
US-WLBP2000R \$495

Extension Kit:

Polished Chrome	US-EK2000C	\$250
Satin Nickel	US-EK2000V	\$330

See [page 410](#) for detailed information



WISP

WISP 2500 THERMOSTATIC VALVE TRIM

Integrated volume control/three-way diverter for 3 water outlets

Required rough features Vernet thermostatic cartridge

The thermostatic valve senses and controls the actual water temperature and blends hot water with cold water to ensure constant, safe temperatures, preventing scalding.

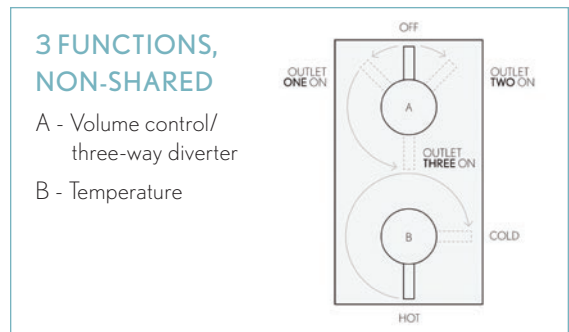
Integral shut-off return valve with filters to prevent cross flow

Flow rate: 12 GPM at 60 PSI

IAPMO listed

Required rough sold separately: US-WLBP2500R

Polished Chrome **US-WP2500RC** **\$355**
 Satin Nickel **US-WP2500RV** **\$475**



REQUIRED ROUGH

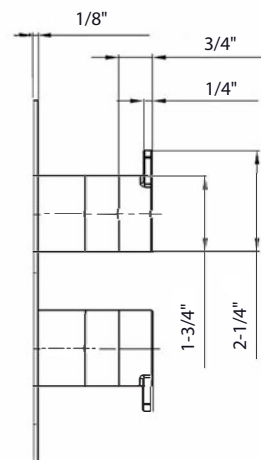
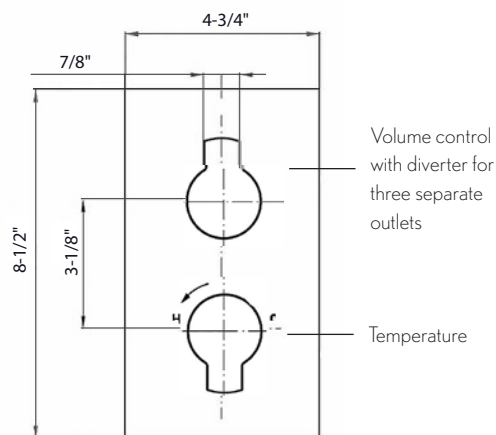
2500 3/4" thermostatic rough with single integrated volume control/three-way diverter
US-WLBP2500R **\$595**



Extension Kit:

Polished Chrome **US-EK101525C** **\$170**
 Satin Nickel **US-EK101525V** **\$220**

See page 411 for detailed information



WISP 3000 THERMOSTATIC VALVE TRIM

Integrated volume control and volume control/
two-way diverter for 3 water outlets

Required rough features Vernet thermostatic cartridge

The thermostatic valve senses and controls
the actual water temperature and blends hot
water with cold water to ensure constant,
safe temperatures, preventing scalding.

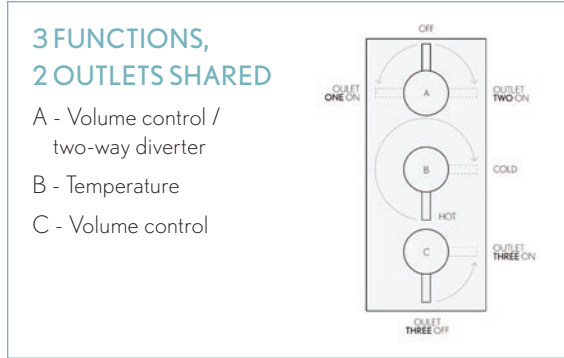
Integral shut-off return valve with
filters to prevent cross flow

Flow rate: 12 GPM at 60 PSI

Massachusetts code approved,
IAPMO listed & ADA compliant

Required rough sold separately: US-WLBP3000R

Polished Chrome **US-WP3000RC** **\$365**
Satin Nickel **US-WP3000RV** **\$495**



WISP

REQUIRED ROUGH

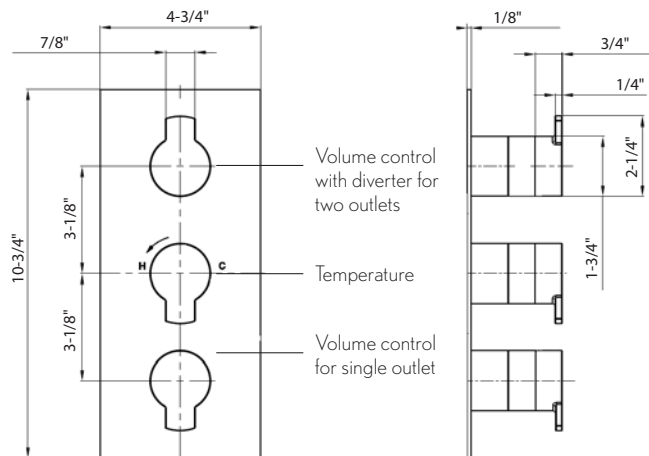
3000 3/4" thermostatic rough
with integrated volume control and
volume control/two-way diverter
US-WLBP3000R **\$595**



Extension Kit:

Polished Chrome **US-EK2000C** **\$250**
Satin Nickel **US-EK2000V** **\$330**

See [page 412](#) for detailed information



WISP 1701 HORIZONTAL THERMOSTATIC VALVE ROUGH AND TRIM WITH HANDSHOWER

Set includes rough valve and trim with handshower

Integrated volume control/diverter for 2 water outlets

Rough features Vernet thermostatic cartridge

The thermostatic valve senses and controls the actual water temperature and blends hot water with cold water to ensure constant, safe temperatures, preventing scalding.

Integral shut-off return valve with filters to prevent cross flow

Built-in service stops

Flow rate: 11 GPM at 60 PSI

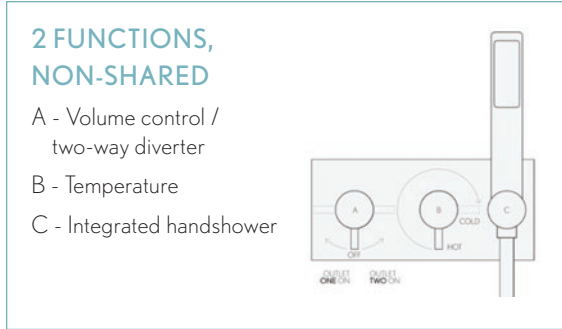
Rough-in depth minimum: 3"

Rough-in depth maximum: 4"

IAPMO listed

Trim includes a hose and elbow which are required for installation and must be on site for installation

Note: Icons etched on the backplate are for handshower and tub spout as standard. Backplate with icons for handshower and shower head is available upon request (US-PRO1738).



With 2.0 GPM handshower

Note: Discontinued when sold through

Polished Chrome	US-WP1701RSETC	\$1040
Satin Nickel	US-WP1701RSETV	\$1390

With 1.75 GPM handshower

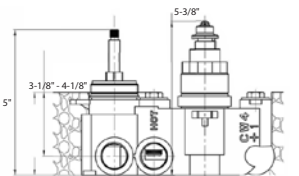
Polished Chrome	US-WP1701175RSETC	\$1075
Satin Nickel	US-WP1701175RSETV	\$1425

ROUGH INCLUDED

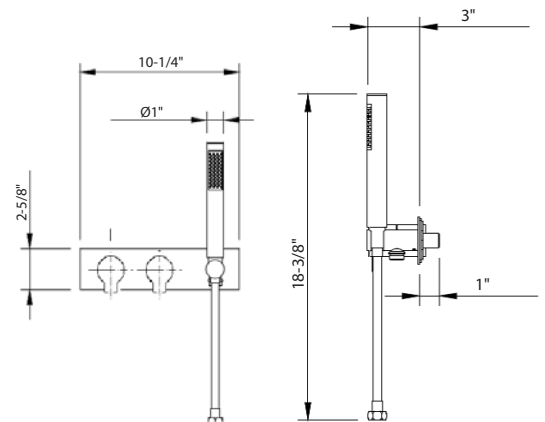
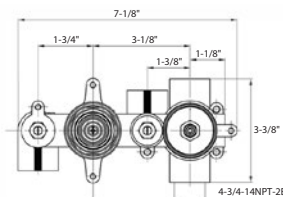
1501 3/4" thermostatic rough with volume control/diverter and integrated handshower outlet
 US-WLBP1501R



Standard backplate (bathtub, handshower)

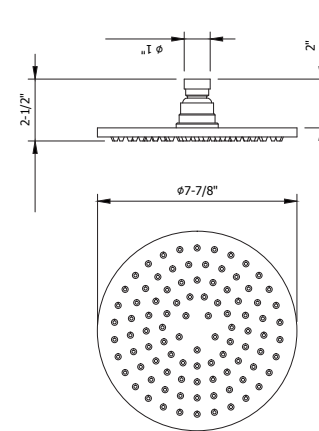


Optional backplate (shower head, handshower)



MODERN 8" RAIN HEAD

- _____ Solid brass
- _____ Single rain spray
- _____ 7-7/8" diameter
- _____ EasyClean anti-limescale nozzles
- _____ Swivel: Yes
- _____ Flow rate: 2.0 GPM
- _____ Inlet connection size: G 1/2"
(compatible with 1/2" NPT)
- _____ Massachusetts code approved & IAPMO listed

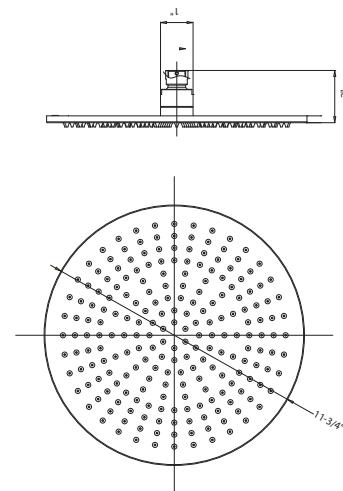


- Polished Chrome **US-PRO200C** **\$275**
- Satin Nickel **US-PRO200V** **\$415**



MODERN 12" RAIN HEAD

- _____ Solid brass
- _____ Single rain spray
- _____ 11-3/4" diameter
- _____ EasyClean anti-limescale nozzles
- _____ Swivel: Yes
- _____ Flow rate: 2.5 GPM
- _____ Inlet connection size: G 1/2"
(compatible with 1/2" NPT)
- _____ Massachusetts code approved & IAPMO listed

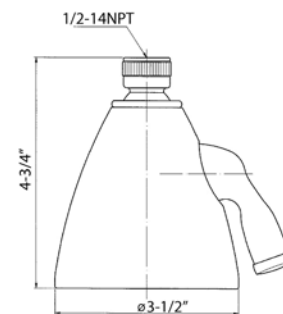


- Polished Chrome **US-PRO300C** **\$545**
- Satin Nickel **US-PRO300V** **\$765**



ELEMENTS 8-JET SHOWER HEAD

- _____ Solid brass
- _____ Adjustable spray - wide to narrow rain
- _____ 3-1/2" diameter
- _____ Anti-limescale nozzles
- _____ Swivel: Yes
- _____ Flow rate: 1.75 GPM
- _____ Inlet connection size: 1/2" NPT
- _____ Massachusetts code approved & IAPMO listed



- Polished Chrome **US-SH08C** **\$275**
- Satin Nickel **US-SH08S** **\$375**



Shower arms

MODERN 13" SHOWER ARM AND FLANGE

Solid brass

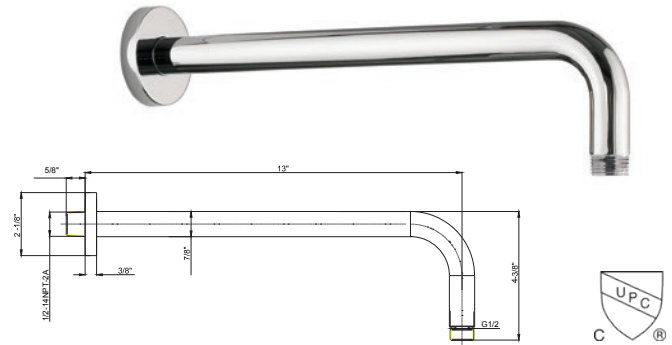
Projection: 13"

Inlet connection: 1/2" NPT male

IAPMO listed

Polished Chrome **US-FH684C** **\$105**

Satin Nickel **US-FH684V** **\$125**



MODERN 18" SHOWER ARM AND FLANGE

Solid brass

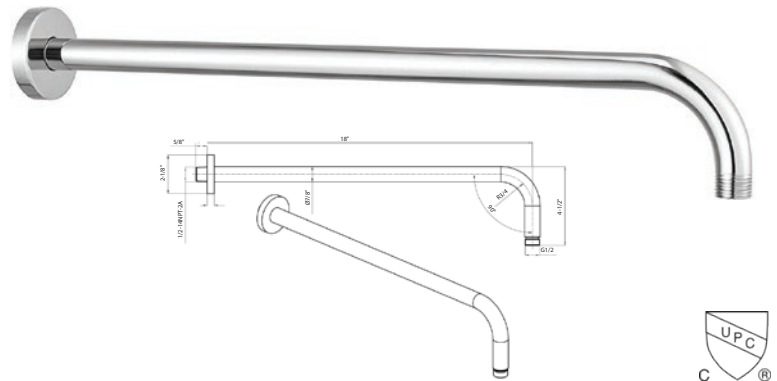
Projection: 18"

Inlet connection: 1/2" NPT male

IAPMO listed

Polished Chrome **US-FH695C** **\$145**

Satin Nickel **US-FH695V** **\$175**



MODERN SHOWER ARM AND FLANGE

Solid brass

Projection: 5-1/2"

Inlet connection: 1/2" NPT

Polished Chrome **US-PRO664C** **\$75**

Satin Nickel **US-PRO664S** **\$95**



8" CEILING-MOUNT SHOWER ARM AND FLANGE

Solid brass

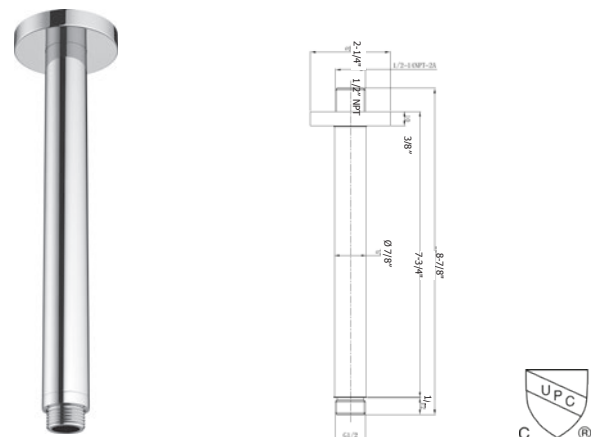
Projection: 7-3/4"

Inlet connection: 1/2" NPT male

IAPMO listed

Polished Chrome **US-PRO689C** **\$95**

Satin Nickel **US-PRO689V** **\$125**



MODERN 3 HANDSHOWER RAIL SET

Set includes Modern single-function handshower, 59" hose, Modern slide rail and Modern wall outlet

Single-function spray

Handshower includes vacuum breaker and flow restrictor

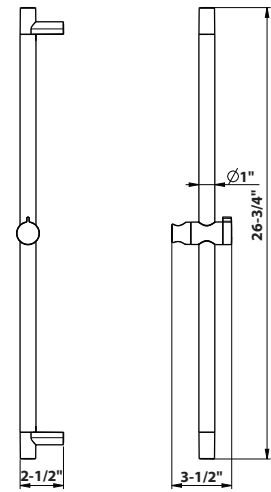
26-3/4" adjustable bar with bracket

60" decorative metal hose included

Flow rate: 1.75 GPM

Inlet connection: 1/2" NPT

Polished Chrome	US-HSS85036C	\$485
Satin Nickel	US-HSS85036V	\$765



MODERN ROUND HANDSHOWER SET WITH HOSE AND BRACKET WITH OUTLET

Single-spray

EasyClean anti-limescale nozzles

60" decorative metal hose

Wall bracket includes vacuum breaker

Flow rate: 1.75 or 2.0 GPM

Inlet connection: 1/2" NPT male

Massachusetts code approved, IAPMO listed & WaterSense compliant (2.0 GPM only)

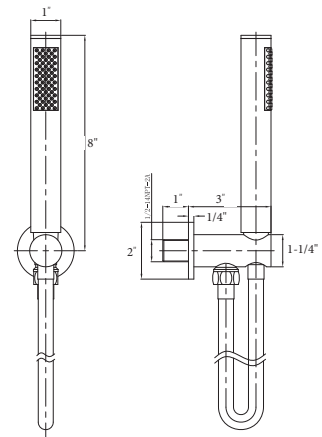
With 2.0 GPM handshower

Note: Discontinued when sold through

Polished Chrome	US-PRO963C	\$240
Satin Nickel	US-PRO963V	\$340

With 1.75 GPM handshower

Polished Chrome	US-PRO965C	\$275
Satin Nickel	US-PRO965V	\$375



MODERN ROUND HANDSHOWER

Single spray

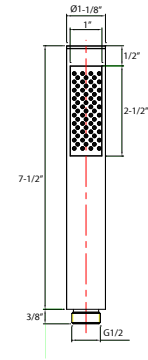
Handshower features EasyClean anti-limescale nozzles

Handshower includes vacuum breaker and flow restrictor

Flow rate: 1.75 GPM

Massachusetts code approved, IAPMO listed & CEC compliant

Polished Chrome	US-SH965C	\$95
Satin Nickel	US-SH965V	\$145



59" HANDSHOWER HOSE

Double-spiral brass hose

Length: 59"

1/2" female threads

IAPMO listed

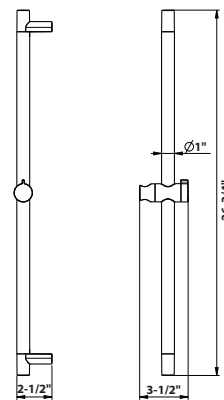
Polished Chrome	US-SH970C	\$95
Satin Nickel	US-SH970V	\$125



MODERN ROUND HANDSHOWER RAIL

Length: 26-3/4"

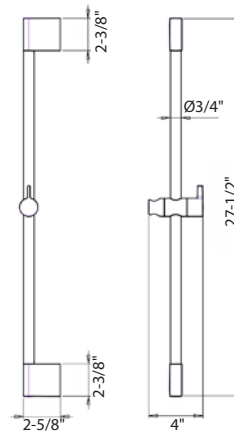
Polished Chrome	US-PRO850C	\$275
Satin Nickel	US-PRO850V	\$375



SVELTE HANDSHOWER RAIL

Length: 27-1/2"

Polished Chrome	US-SR023C	\$215
Satin Nickel	US-SR023S	\$395



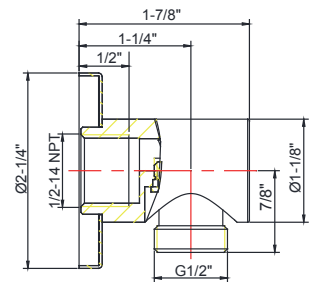
MODERN ROUND WALL OUTLET

Includes vacuum breaker

Inlet connection size: 1/2" NPT male

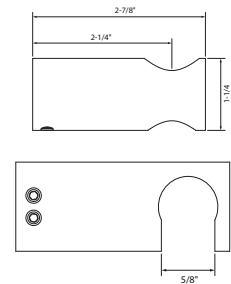
IAPMO listed

Polished Chrome	US-WL953C	\$105
Satin Nickel	US-WL953V	\$135



MODERN WALL BRACKET

Polished Chrome	US-WB963C	\$75
Satin Nickel	US-WB963S	\$85



WISP WALL TUB SPOUT

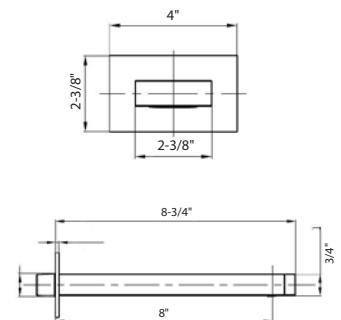
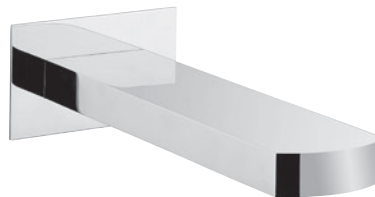
Solid brass

Spout reach: 8"

Inlet supply: 1/2" NPT male

IAPMO listed

Polished Chrome	US-WP0370WC	\$365
Satin Nickel	US-WP0370WV	\$465



WISP PAPER HOLDER

Polished Chrome	US-WP029C	\$165
Satin Nickel	US-WP029V	\$295*



WISP ROBE HOOK

Polished Chrome	US-WP021C	\$65
Satin Nickel	US-WP021V	\$195*



WISP TOWEL HOLDER

Polished Chrome	US-WP013C	\$195
Satin Nickel	US-WP013V	\$295*



WISP 24" TOWEL BAR

Polished Chrome	US-WP023C	\$335
Satin Nickel	US-WP023V	\$395*



***6-WEEK LEADTIME**

WISP



Wisp Widespread Basin Faucet in Polished Chrome
(US-WP130DPC)



Wisp Thermostatic Valve Trim in Polished Chrome
(US-WP1000RC/US-WP1500RC/US-WP2500RC)

WISP



Wisp 1701 Thermostatic Valve Rough and Trim with Volume Control/Diverter and Integrated Handshower in Polished Chrome (US-WP1701RSETC)



WISP

Wisp Floor-mount Thermostatic Tub Filler with Handshower in Polished Chrome (US-WP425TFC)

WISP

Wisp Single-lever Wall-mount Basin Faucet in Polished Chrome
(US-WP120WNC, US-120ROUGH-C)





WISP

Wisp Single-lever Wall-mount Basin Faucet in Polished Chrome
(US-WP120WNC, US-120ROUGH-C)
MPRO 28" Vanity in American Walnut (US-PRO280AW)



MPRO Knurled Single-Hole Basin Faucet in Brushed Brass
(US-PRO110DPBB-K)

MPRO



FOUR FINISHES & DISTINCTIVE KNURLED DETAILING

Combining superb function with precision design and finishes, MPRO meets the exacting demand of today's modern bathroom. Iconic definition. Versatile style.



AVAILABLE FINISHES



Polished Chrome



Matte Black



Brushed Brass



Satin Nickel

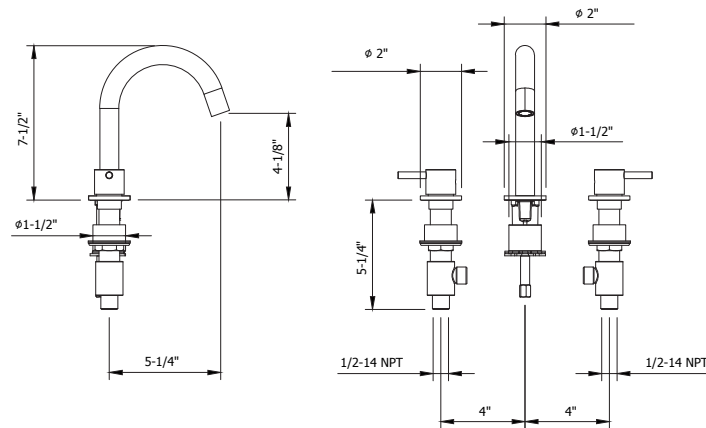
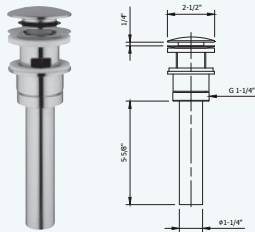
MPRO WIDESPREAD BASIN FAUCET

- Solid brass construction
- Flühs quarter-turn ceramic disc cartridges
- Push drain assembly included
- Spout reach: 5-1/4"
- Spout swivel: Yes
- Massachusetts code approved & CEC compliant

Polished Chrome	US-PRO135DPC	\$645
Matte Black	US-PRO135DPMB	\$765
Brushed Brass	US-PRO135DPBB	\$855
Satin Nickel	US-PRO135DPV	\$855



PUSH DRAIN ASSEMBLY INCLUDED



MPRO

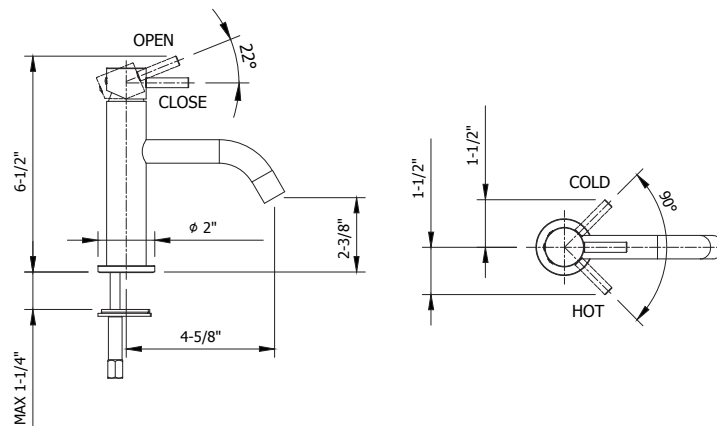
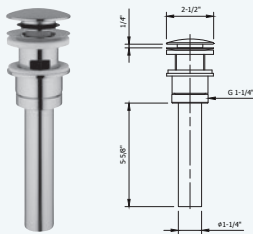
MPRO SINGLE-HOLE BASIN FAUCET

- Solid brass construction
- Kerox ceramic disc cartridge
- Push drain assembly included
- Spout reach: 4-5/8"
- Spout swivel: No
- Massachusetts code approved, IAPMO listed,
ADA compliant, CEC compliant
& WaterSense compliant

Polished Chrome	US-PRO110DPC	\$365
Matte Black	US-PRO110DPMB	\$465
Brushed Brass	US-PRO110DPBB	\$565
Satin Nickel	US-PRO110DPV	\$565



PUSH DRAIN ASSEMBLY INCLUDED



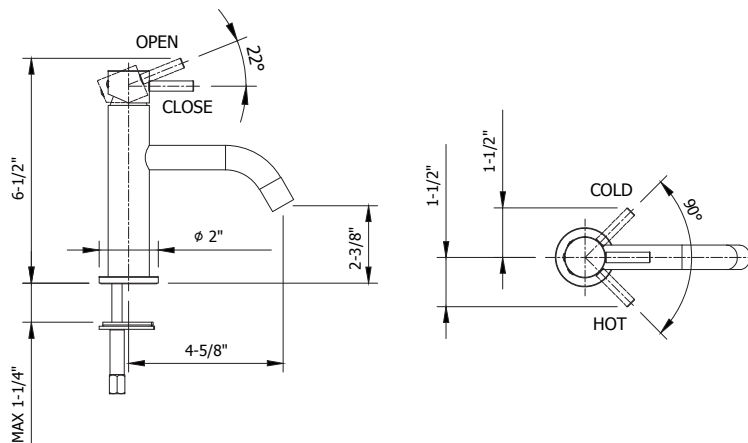
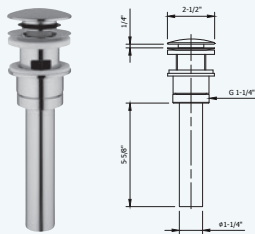
MPRO KNURLED SINGLE-HOLE BASIN FAUCET

Solid brass construction
 Kerox ceramic disc cartridge
 Push drain assembly included
 Spout reach: 4-5/8"
 Spout swivel: No
 Massachusetts code approved, IAPMO listed,
 ADA compliant, CEC compliant
 & WaterSense compliant

Polished Chrome	US-PRO110DPC-K	\$395
Matte Black	US-PRO110DPMB-K	\$515
Brushed Brass	US-PRO110DPBB-K	\$625
Satin Nickel	US-PRO110DPV-K	\$625



PUSH DRAIN ASSEMBLY INCLUDED



MPRO

MPRO WALL-MOUNT WIDESPREAD BASIN FAUCET TRIM

- Solid brass construction
- Flühs quarter-turn ceramic disc cartridges
- Push drain assembly sold separately
- Spout reach: 8-5/8"
- Spout swivel: No
- Massachusetts code approved, IAPMO listed, ADA compliant & CEC compliant

Required rough sold separately:
US-130ROUGH-2



Polished Chrome	US-PRO130WNC-2	\$325
Matte Black	US-PRO130WNMB-2	\$445
Brushed Brass	US-PRO130WNBB-2	\$495
Satin Nickel	US-PRO130WNV-2	\$495



REQUIRED ROUGH

Rough for 3-hole wall-mount basin faucet

US-130ROUGH-2 \$330



Extension Kit:
US-130ROUGH-EXT \$95

See page 406 for detailed information

RECOMMENDED WASTES

Basin push drain with overflow

Polished Chrome	US-BSW0117C	\$95
Matte Black	US-BSW0117MB	\$135
Brushed Brass	US-BSW0117BB	\$135
Satin Nickel	US-BSW0117V	\$135

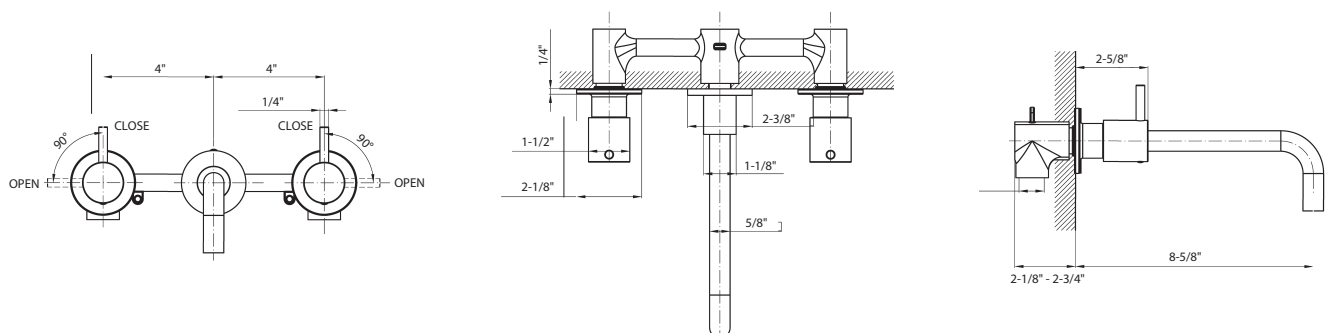


Basin push drain without overflow

Polished Chrome	US-BSW0101C	\$105
Matte Black	US-BSW0101MB	\$175
Satin Nickel	US-BSW0101V	\$275



See page 398 for detailed information



MPRO WALL-MOUNT SINGLE-LEVER BASIN FAUCET TRIM

- Solid brass construction
- Kerox ceramic disc cartridge
- Right-hand mixer handle (handle orientation cannot be changed)
- Push drain assembly sold separately
- Spout reach: 5-1/2" or 8-5/8" (two spouts are included)
- Spout swivel: No
- Massachusetts code approved, IAPMO listed, ADA compliant, CEC compliant & WaterSense compliant

Required rough sold separately: US-120ROUGH



Polished Chrome	US-PRO120WNC	\$265
Matte Black	US-PRO120WNMB	\$415
Brushed Brass	US-PRO120WNBB	\$465
Satin Nickel	US-PRO120WNV	\$465



REQUIRED ROUGH

Rough for single-lever wall-mount basin faucet



Polished Chrome	US-120ROUGH-C	\$330
Matte Black	US-120ROUGH-MB	\$330
Brushed Brass	US-120ROUGH-BB	\$330
Satin Nickel	US-120ROUGH-V	\$330

See [page 406](#) for detailed information

RECOMMENDED WASTES

Basin push drain with overflow

Polished Chrome	US-BSW0117C	\$95
Matte Black	US-BSW0117MB	\$135
Brushed Brass	US-BSW0117BB	\$135
Satin Nickel	US-BSW0117V	\$135

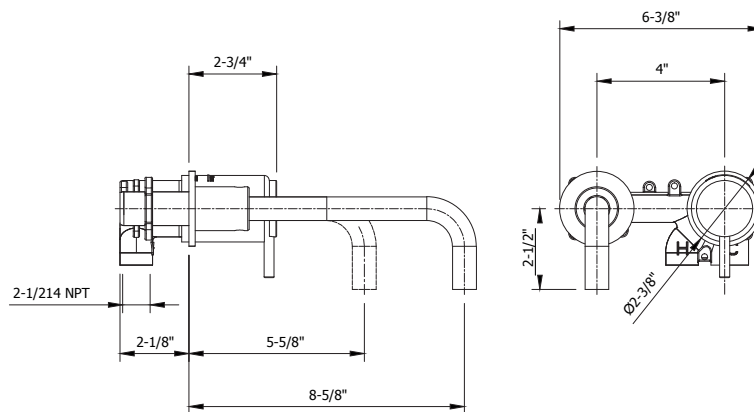


Basin push drain without overflow

Polished Chrome	US-BSW0101C	\$105
Matte Black	US-BSW0101MB	\$175
Satin Nickel	US-BSW0101V	\$275



See [page 398](#) for detailed information



MPRO FLOOR-MOUNT THERMOSTATIC TUB FILLER WITH HANDSHOWER

- Solid brass construction
- Vernet thermostatic cartridge
- Single-function handshower with vacuum breaker and 60" hose
- Spout reach: 9-3/8"
- Height to spout: 34-1/2"
- Spout swivel: Yes
- Tub filler flow rate: 5.0 GPM
- Handshower flow rate: 1.75 or 2.0 GPM
- Massachusetts code approved, IAPMO listed & CEC compliant (2.0 GPM only)
- Required rough sold separately: US-418ROUGH**

With 2.0 GPM handshower

Note: Discontinued when sold through

Polished Chrome	US-PRO418TFC	\$2160
Matte Black	US-PRO418TFMB	\$2620
Brushed Brass	US-PRO418TFBB	\$2960
Satin Nickel	US-PRO418TFV	\$2960

With 1.75 GPM handshower

Polished Chrome	US-PRO418175TFC	\$2195
Matte Black	US-PRO418175TFMB	\$2655
Brushed Brass	US-PRO418175TFBB	\$2995
Satin Nickel	US-PRO418175TFV	\$2995

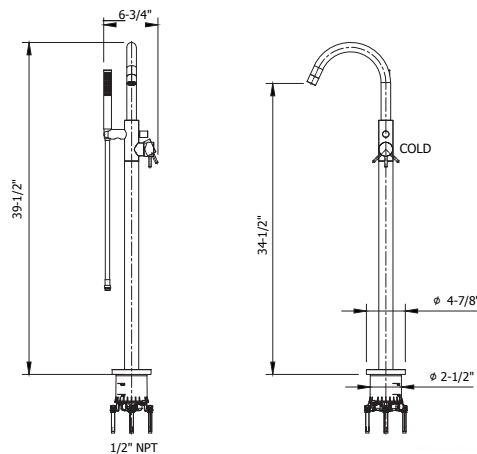


REQUIRED ROUGH

Rough for floor-mount single-hole tub filler
US-418ROUGH \$330



See page 407 for detailed information



MPRO 1000 THERMOSTATIC VALVE TRIM

Single integrated volume control for 1 water outlet

Required rough features Vernet thermostatic cartridge and Flühs volume control cartridge

The thermostatic valve senses and controls the actual water temperature and blends hot water with cold water to ensure constant, safe temperatures, preventing scalding.

Integral shut-off return valve with filters to prevent cross flow

Flow rate: 12 GPM at 60 PSI

Massachusetts code approved, IAPMO listed & ADA compliant

Required rough sold separately: US-WLBP1000R

Polished Chrome	US-PRO1000RC	\$355
Matte Black	US-PRO1000RMB	\$425
Brushed Brass	US-PRO1000RBB	\$475
Satin Nickel	US-PRO1000RV	\$475

REQUIRED ROUGH

1000 3/4" thermostatic rough with single integrated volume control

US-WLBP1000R \$395



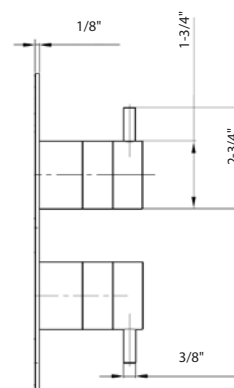
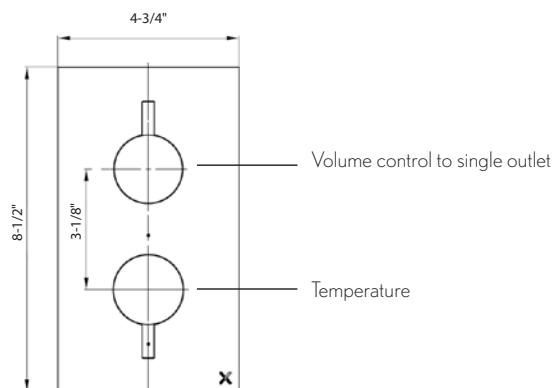
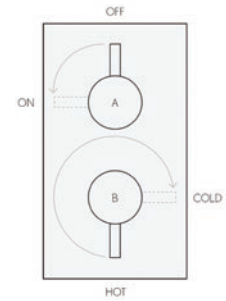
Extension kit:

Polished Chrome	US-EK101525C	\$170
Matte Black	US-EK101525MB	\$190
Brushed Brass	US-EK101525BB	\$240
Satin Nickel	US-EK101525V	\$220

See page 408 for detailed information

1FUNCTION

A - Volume control
B - Temperature



MPRO 1500 THERMOSTATIC VALVE TRIM

Integrated volume control/diverter for 2 water outlets
 Required rough features Vernet thermostatic cartridge

The thermostatic valve senses and controls the actual water temperature and blends hot water with cold water to ensure constant, safe temperatures, preventing scalding.

Integral shut-off return valve with filters to prevent cross flow

Flow rate: 11 GPM at 60 PSI

Massachusetts code approved, IAPMO listed & ADA compliant

Required rough sold separately: US-WLBP1500R

Polished Chrome	US-PRO1500RC	\$355
Matte Black	US-PRO1500RMB	\$425
Brushed Brass	US-PRO1500RBB	\$475
Satin Nickel	US-PRO1500RV	\$475

REQUIRED ROUGH

1500 3/4" thermostatic rough with volume control/diverter
US-WLBP1500R \$495



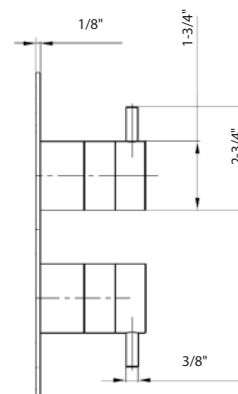
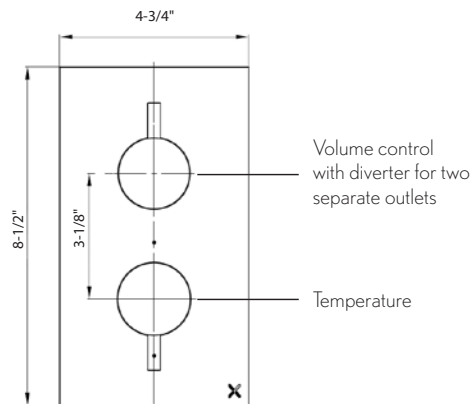
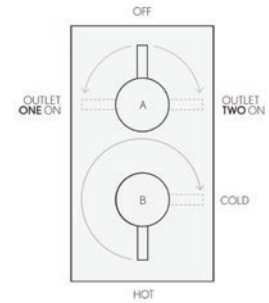
Extension kit:

Polished Chrome	US-EK101525C	\$170
Matte Black	US-EK101525MB	\$190
Brushed Brass	US-EK101525BB	\$240
Satin Nickel	US-EK101525V	\$220

See page 409 for detailed information

2 FUNCTIONS, NON-SHARED

A - Volume control / two-way diverter
 B - Temperature



MPRO 2000 THERMOSTATIC VALVE TRIM

Two integrated volume controls for 2 water outlets
 Required rough features Vernet thermostatic cartridge
 The thermostatic valve senses and controls the actual water temperature and blends hot water with cold water to ensure constant, safe temperatures, preventing scalding.
 Integral shut-off return valve with filters to prevent cross flow
 Flow rate: 13 GPM at 60 PSI
 Massachusetts code approved, IAPMO listed & ADA compliant
Required rough sold separately: US-WLBP2000R

- Polished Chrome **US-PRO2000RC \$365**
- Matte Black **US-PRO2000RMB \$425**
- Brushed Brass **US-PRO2000RBB \$495**
- Satin Nickel **US-PRO2000RV \$495**

REQUIRED ROUGH

2000 3/4" thermostatic rough with two integrated volume controls
US-WLBP2000R \$495



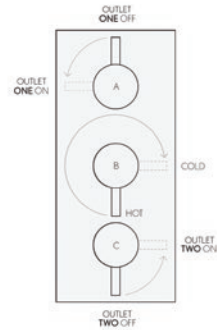
Extension kit:

- Polished Chrome **US-EK2000C \$250**
- Matte Black **US-EK2000MB \$290**
- Brushed Brass **US-EK2000BB \$360**
- Satin Nickel **US-EK2000V \$330**

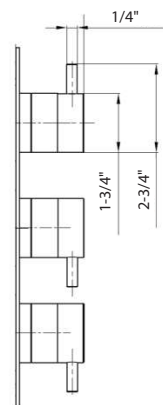
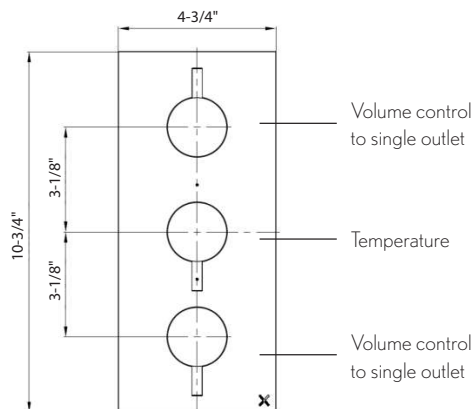
See page 410 for detailed information

2 FUNCTIONS, SHARED

- A - Volume control
- B - Temperature
- C - Volume control



MPRO



MPRO 2500 THERMOSTATIC VALVE TRIM

Integrated volume control/three-way diverter for 3 water outlets

Required rough features Vernet thermostatic cartridge

The thermostatic valve senses and controls the actual water temperature and blends hot water with cold water to ensure constant, safe temperatures, preventing scalding.

Integral shut-off return valve with filters to prevent cross flow

Flow rate: 12 GPM at 60 PSI

IAPMO listed & ADA compliant

Required rough sold separately: US-WLBP2500R

Polished Chrome	US-PRO2500RC	\$355
Matte Black	US-PRO2500RMB	\$425
Brushed Brass	US-PRO2500RBB	\$475
Satin Nickel	US-PRO2500RV	\$475

REQUIRED ROUGH

2500 3/4" thermostatic rough with integrated volume control/3-way diverter

US-WLBP2500R \$595



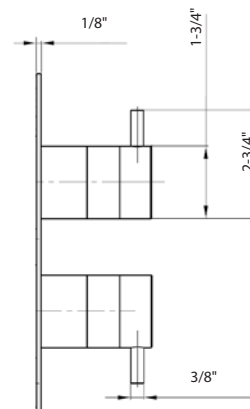
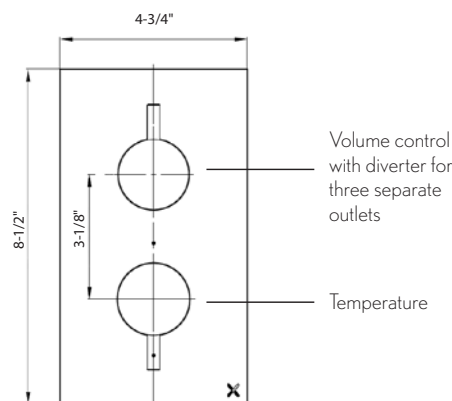
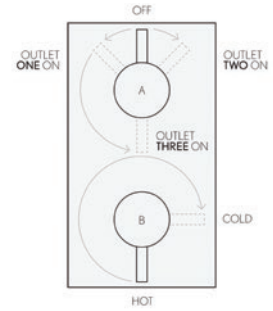
Extension kit:

Polished Chrome	US-EK101525C	\$170
Matte Black	US-EK101525MB	\$190
Brushed Brass	US-EK101525BB	\$240
Satin Nickel	US-EK101525V	\$220

See page 411 for detailed information

3 FUNCTIONS, NON-SHARED

A - Volume control/
three-way diverter
B - Temperature



MPRO 3000 THERMOSTATIC VALVE TRIM

Integrated volume control and volume control/
two-way diverter for 3 water outlets

Required rough features Vernet thermostatic cartridge

The thermostatic valve senses and controls
the actual water temperature and blends hot
water with cold water to ensure constant,
safe temperatures, preventing scalding.

Integral shut-off return valve with
filters to prevent cross flow

Flow rate: 12 GPM at 60 PSI

Massachusetts code approved,
IAPMO listed & ADA compliant

Required rough sold separately: US-WLBP3000R

Polished Chrome	US-PRO3000RC	\$365
Matte Black	US-PRO3000RMB	\$425
Brushed Brass	US-PRO3000RBB	\$495
Satin Nickel	US-PRO3000RV	\$495

REQUIRED ROUGH

3000 3/4" thermostatic rough
with integrated volume control/
2-way diverter

US-WLBP3000R \$595



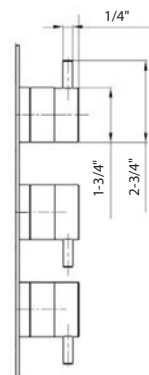
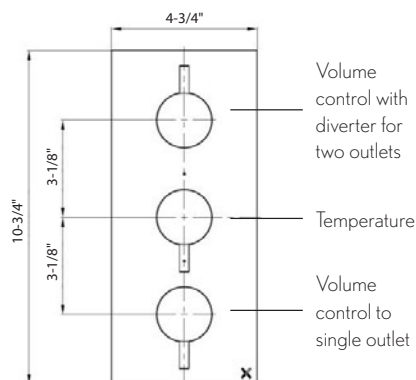
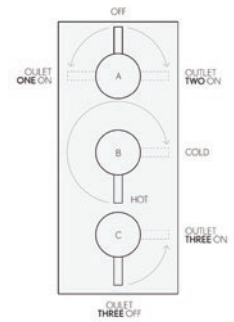
Extension kit:

Polished Chrome	US-EK2000C	\$250
Matte Black	US-EK2000MB	\$290
Brushed Brass	US-EK2000BB	\$360
Satin Nickel	US-EK2000V	\$330

See [page 412](#) for detailed information

3 FUNCTIONS, 2 OUTLETS SHARED

- A - Volume control /
two-way diverter
- B - Temperature
- C - Volume control



MPRO 1701 HORIZONTAL THERMOSTATIC ROUGH AND VALVE TRIM WITH HANDSHOWER

Set includes rough valve and trim with handshower

Trim includes a hose and elbow which are required for installation and must be on site for installation

Integrated volume control/diverter for 2 water outlets

Rough features Vernet thermostatic cartridge

The thermostatic valve senses and controls the actual water temperature and blends hot water with cold water to ensure constant, safe temperatures, preventing scalding.

Integral shut-off return valve with filters to prevent cross flow

Built-in service stops

Flow rate: 11 GPM at 60 PSI

Rough-in depth minimum: 3"

Rough-in depth maximum: 4"

Massachusetts code approved (2.0 GPM only) & IAPMO listed

Note: Icons etched on the backplate are for handshower and tub spout as standard. Backplate with icons for handshower and shower head is available upon request (US-PRO1738).

With 2.0 GPM handshower

Note: Discontinued when sold through

Polished Chrome	US-PRO1701RSETC	\$1040
Matte Black	US-PRO1701RSETMB	\$1240
Brushed Brass	US-PRO1701RSETBB	\$1390
Satin Nickel	US-PRO1701RSETV	\$1390

With 1.75 GPM handshower

Polished Chrome	US-PRO1701175RSETC	\$1075
Matte Black	US-PRO1701175RSETMB	\$1275
Brushed Brass	US-PRO1701175RSETBB	\$1425
Satin Nickel	US-PRO1701175RSETV	\$1425

ROUGH INCLUDED

1501 3/4" thermostatic rough with volume control/diverter and integrated handshower outlet
US-WLBP1501R

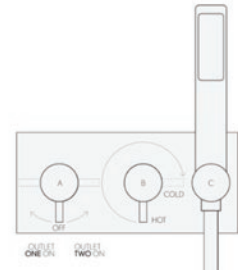


2 FUNCTIONS, NON-SHARED

A - Volume control/
three-way diverter

B - Temperature

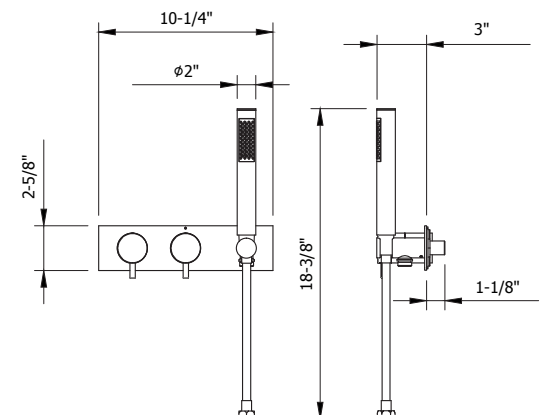
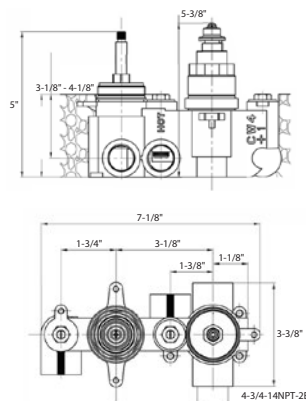
C - Integrated handshower



Standard backplate (bathtub, handshower)

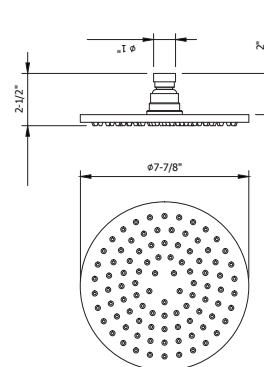


Optional backplate (shower head, handshower)



MODERN 8" RAIN HEAD

- _____ Solid brass
- _____ Single rain spray
- _____ 7-7/8" diameter
- _____ EasyClean anti-limescale nozzles
- _____ Swivel: Yes
- _____ Flow rate: 2.0 GPM
- _____ Inlet connection size: G 1/2"
(compatible with 1/2" NPT)
- _____ Massachusetts code approved & IAPMO listed

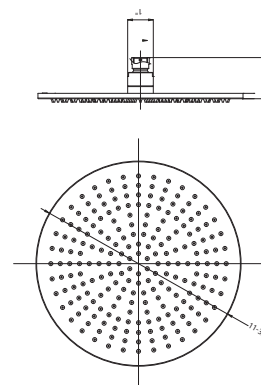


Polished Chrome	US-PRO200C	\$275
Matte Black	US-PRO200MB	\$415
Brushed Brass	US-PRO200BB	\$545
Satin Nickel	US-PRO200V	\$415



MODERN 12" RAIN HEAD

- _____ Solid brass
- _____ Single rain spray
- _____ 11-3/4" diameter
- _____ EasyClean anti-limescale nozzles
- _____ Swivel: Yes
- _____ Flow rate: 2.5 GPM
- _____ Inlet connection size: G 1/2"
(compatible with 1/2" NPT)
- _____ Massachusetts code approved & IAPMO listed



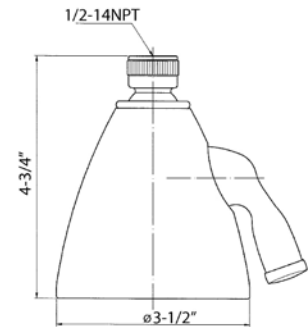
Polished Chrome	US-PRO300C	\$545
Matte Black	US-PRO300MB	\$765
Brushed Brass	US-PRO300BB	\$875
Satin Nickel	US-PRO300V	\$765



***6-WEEK LEADTIME**

ELEMENTS 8-JET SHOWER HEAD

- _____ Solid brass
- _____ Adjustable spray - wide to narrow rain
- _____ 3-1/2" diameter
- _____ Anti-limescale nozzles
- _____ Swivel: Yes
- _____ Flow rate: 1.75 GPM
- _____ Inlet connection size: 1/2" NPT
- _____ Massachusetts code approved & IAPMO listed

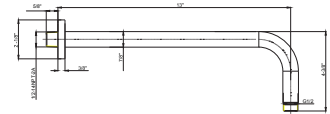


Polished Chrome	US-SH08C	\$275
Matte Black	US-SH08MB	\$375
Brushed Brass	US-SH08BB	\$395*
Satin Nickel	US-SH08S	\$375



MODERN 13" SHOWER ARM AND FLANGE

- _____ Solid brass
- _____ Projection: 13"
- _____ Inlet connection: 1/2" NPT male
- _____ IAPMO listed

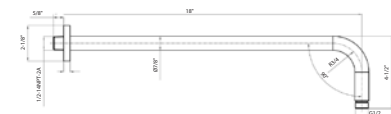


Polished Chrome	US-FH684C	\$105
Matte Black	US-FH684MB	\$125
Brushed Brass	US-FH684BB	\$145
Satin Nickel	US-FH684V	\$125



MODERN 18" SHOWER ARM AND FLANGE

- _____ Solid brass
- _____ Projection: 18"
- _____ Inlet connection: 1/2" NPT male
- _____ IAPMO listed



Polished Chrome	US-FH695C	\$145
Matte Black	US-FH695MB	\$175
Brushed Brass	US-FH695BB	\$195
Satin Nickel	US-FH695V	\$175



***6-WEEK LEADTIME**

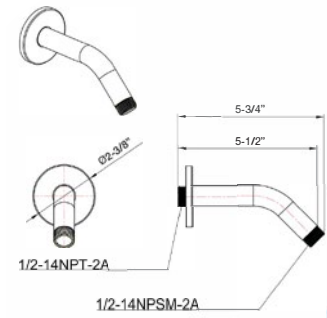
MODERN SHOWER ARM AND FLANGE

Solid brass

Projection: 5-1/2"

Inlet connection: 1/2" NPT

Polished Chrome	US-PRO664C	\$75
Matte Black	US-PRO664MB	\$95*
Brushed Brass	US-PRO664BB	\$95*
Satin Nickel	US-PRO664S	\$95



8" CEILING-MOUNT SHOWER ARM AND FLANGE

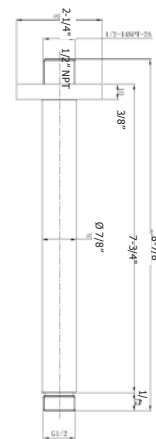
Solid brass

Projection: 7-3/4"

Inlet connection: 1/2" NPT male

IAPMO listed

Polished Chrome	US-PRO689C	\$95
Matte Black	US-PRO689MB	\$125
Brushed Brass	US-PRO689BB	\$145
Satin Nickel	US-PRO689V	\$125



MPRO



***6-WEEK LEADTIME**

MODERN ROUND HANDSHOWER SET WITH HOSE AND BRACKET WITH OUTLET

- Single-spray
- EasyClean anti-limescale nozzles
- 60" decorative metal hose
- Wall bracket includes vacuum breaker
- Flow rate: 1.75 or 2.0 GPM
- Inlet connection: 1/2" NPT male
- Massachusetts code approved, IAPMO listed & CEC compliant (2.0 GPM only)

With 2.0 GPM handshower

Note: Discontinued when sold through

Polished Chrome	US-PRO963C	\$240
Matte Black	US-PRO963MB	\$290
Brushed Brass	US-PRO963BB	\$400
Satin Nickel	US-PRO963V	\$340

With 1.75 GPM handshower

Polished Chrome	US-PRO965C	\$275
Matte Black	US-PRO965MB	\$325
Brushed Brass	US-PRO965BB	\$435
Satin Nickel	US-PRO965V	\$375



SVELTE 3 HANDSHOWER RAIL SET

Set includes: Modern single-function handshower, 59" hose, Svelte slide rail and Modern wall outlet

- Single-function spray
- Handshower includes vacuum breaker and flow restrictor
- 27-1/2" adjustable bar with bracket
- 60" decorative metal hose included
- Flow rate: 1.75 GPM
- Inlet connection: 1/2" NPT

Polished Chrome	US-HSS02336C	\$485
Matte Black	US-HSS02336MB	\$625
Brushed Brass	US-HSS02336BB	\$795
Satin Nickel	US-HSS02336V	\$775



MODERN ROUND HANDSHOWER

Single spray

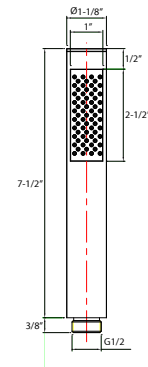
Handshower features EasyClean anti-limescale nozzles

Handshower includes vacuum breaker and flow restrictor

Flow rate: 1.75 GPM

Massachusetts code approved, IAPMO listed & CEC compliant

Polished Chrome	US-SH965C	\$95
Matte Black	US-SH965MB	\$125
Brushed Brass	US-SH965BB	\$145
Satin Nickel	US-SH965V	\$145



59" HANDSHOWER HOSE

Double-spiral brass hose

Length: 59"

1/2" female threads

IAPMO listed

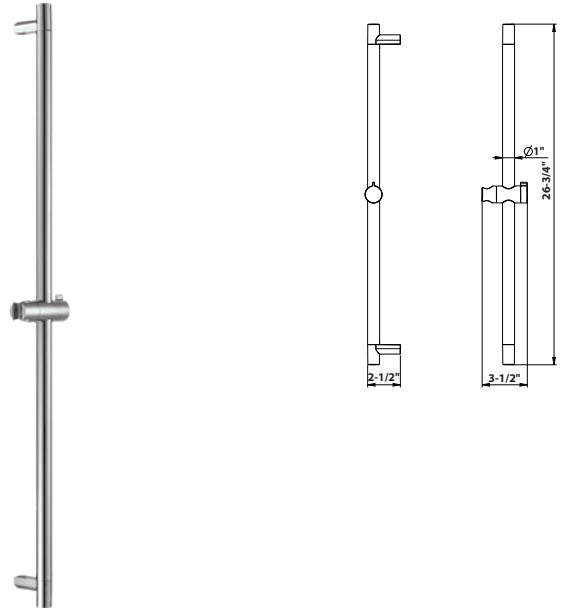
Polished Chrome	US-SH970C	\$95
Matte Black	US-SH970MB	\$125
Brushed Brass	US-SH970BB	\$175
Satin Nickel	US-SH970V	\$125



MODERN ROUND HANDSHOWER RAIL

Length: 26-3/4"

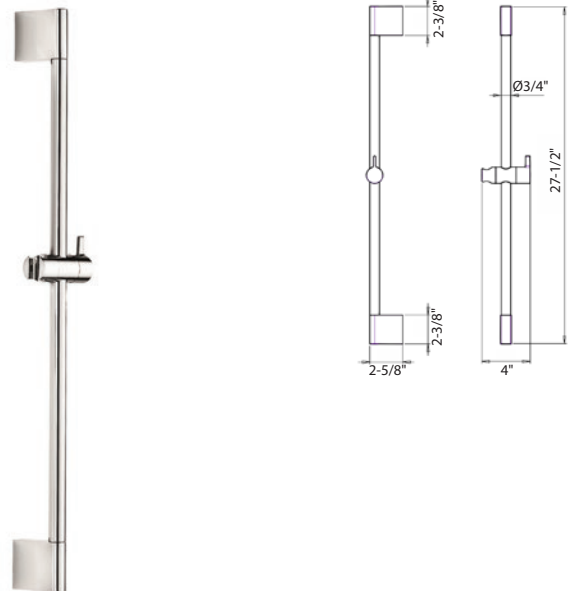
Polished Chrome	US-PRO850C	\$275
Matte Black	US-PRO850MB	\$365
Satin Nickel	US-PRO850V	\$375



SVELTE HANDSHOWER RAIL

Length: 27-1/2"

Polished Chrome	US-SR023C	\$215
Matte Black	US-SR023MB	\$355
Brushed Brass	US-SR040BB	\$435
Satin Nickel	US-SR023S	\$395



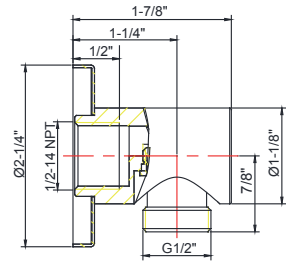
MODERN ROUND WALL OUTLET

Includes vacuum breaker

Inlet connection size: 1/2" NPT male

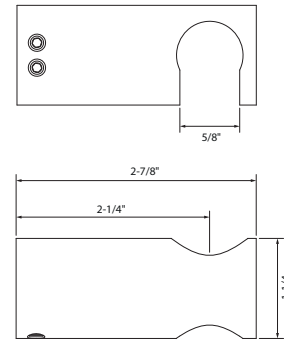
IAPMO listed

Polished Chrome	US-WL953C	\$105
Matte Black	US-WL953MB	\$135
Brushed Brass	US-WL953BB	\$145
Satin Nickel	US-WL953V	\$135



MODERN WALL BRACKET

Polished Chrome	US-WB963C	\$75
Satin Nickel	US-WB963S	\$85



MPRO WALL TUB SPOUT

Solid brass

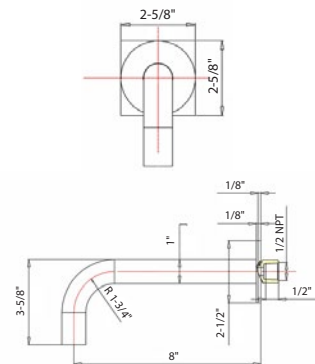
Spout reach: 8"

Includes both round and square flanges

Inlet connection: 1/2" NPT female

Massachusetts code approved & IAPMO listed

Polished Chrome	US-PRO0370WC	\$245
Matte Black	US-PRO0370WMB	\$295
Brushed Brass	US-PRO0370WBB	\$315
Satin Nickel	US-PRO0370WV	\$315



MPRO PAPER HOLDER

Polished Chrome	US-PRO029C	\$95
Matte Black	US-PRO029MB	\$125
Brushed Brass	US-PRO029BB	\$135
Satin Nickel	US-PRO029V	\$135



MPRO ROBE HOOK

Polished Chrome	US-PRO021C	\$45
Matte Black	US-PRO021MB	\$65
Brushed Brass	US-PRO021BB	\$75
Satin Nickel	US-PRO021V	\$75



MPRO TOWEL HOLDER

Polished Chrome	US-PRO013C	\$105
Matte Black	US-PRO013MB	\$145
Brushed Brass	US-PRO013BB	\$165
Satin Nickel	US-PRO013V	\$165



MPRO 23" TOWEL BAR

Polished Chrome	US-PRO024C	\$145
Matte Black	US-PRO024MB	\$195
Brushed Brass	US-PRO024BB	\$215
Satin Nickel	US-PRO024V	\$215





Modern 8" Rain Head in Polished Chrome (US-PRO200C)



Modern Round Handshower Set in Matte Black
(US-PRO963MB)



MPRO 1000/1500/2500 Thermostatic Valve in Matte Black
(US-PRO1000RMB/US-WLBP1000R)
(US-PRO1500RMB/US-WLBP1500R)
(US-PRO2500RMB/US-WLBP2500R)



Modern Handshower in Brushed Brass (US-SH965BB)



MPRO

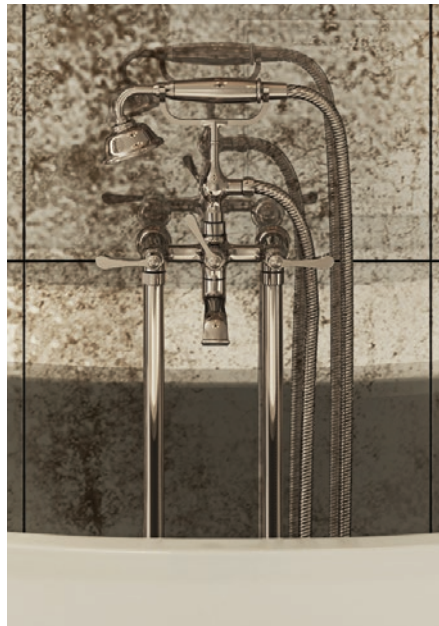
MPRO 1701 Horizontal Thermostatic Set with Integrated Handshower in Brushed Brass (US-PRO1701RSETBB)
Modern 12" Rain Head in Brushed Brass (US-PRO300BB)
and 13" Shower Arm in Brushed Brass (US-FH684BB)



Berea Widespread Basin Faucet in Polished Nickel (11-08-PN)

Classic 25" Polished Nickel Console with Three-hole Basin
(US-CL253CSN)

BEREA

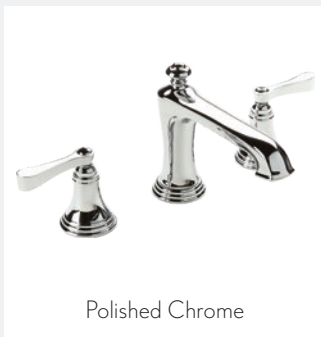


BEREA ANSWERS TRADITION WITH WARMTH AND PRECISION

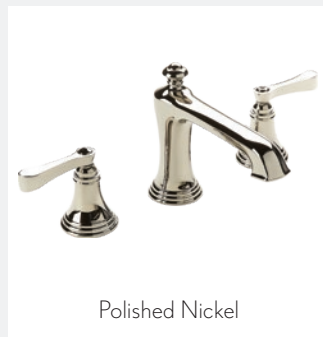
Shape and texture harmonize in each detail of Bera to complete
a balanced and peaceful space.



AVAILABLE FINISHES



Polished Chrome



Polished Nickel



Satin Nickel

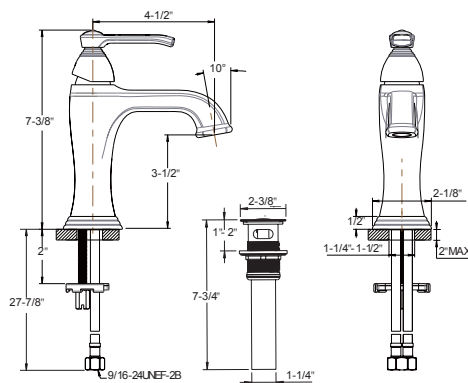
BEREA SINGLE-HOLE BASIN FAUCET

- _____ Solid brass construction
- _____ Kerox ceramic disc cartridge
- _____ Push drain assembly included
- _____ Spout reach: 4-1/2"
- _____ Spout swivel: No
- _____ 4" cover plate available (sold separately)
- _____ Massachusetts code approved,
IAPMO listed & WaterSense compliant

Polished Chrome	11-01-PC	\$425
Polished Nickel	11-01-PN	\$425
Satin Nickel	11-01-SN	\$425



BEREA



BEREA DECK-MOUNT TUB FAUCET WITH HANDSHOWER TRIM

- Solid brass construction
- Flühs quarter-turn ceramic disc cartridges
- Dual-function handshower (rain and massage) with vacuum breaker and 60" hose
- Spout reach: 9"
- Spout swivel: No
- Tub filler flow rate: 11 GPM
- Handshower flow rate: 1.75 or 2.5 GPM
- Massachusetts code approved & IAPMO listed (2.5 GPM only)
- Required rough sold separately: DTHS-R-RGH**

With 2.5 GPM handshower

Polished Chrome	11-03-T-PC	\$1395
Polished Nickel	11-03-T-PN	\$1395
Satin Nickel	11-03-T-SN	\$1395

To order the 1.75 GPM model, please insert "175-" after the "T-".



REQUIRED ROUGH

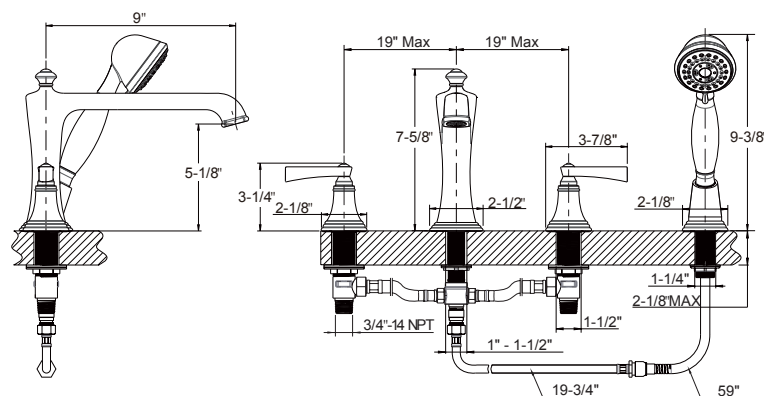
Deck tub set with handshower rough
DTHS-R-RGH \$430



See [page 419](#) for detailed information



BEREA



BEREA FLOOR-MOUNT TUB FILLER WITH HANDSHOWER

Solid brass construction

Flühs quarter-turn ceramic disc cartridges

Single-function handshower with vacuum breaker and 60" hose

Spout reach: 8-1/2"

Height to spout: 31" - 31-1/4"

Spout swivel: Yes

Tub filler flow rate: 11 GPM

Handshower flow rate: 1.75 or 2.5 GPM

Massachusetts code approved & IAPMO listed (2.5 GPM only)

Rough included

With 2.5 GPM handshower

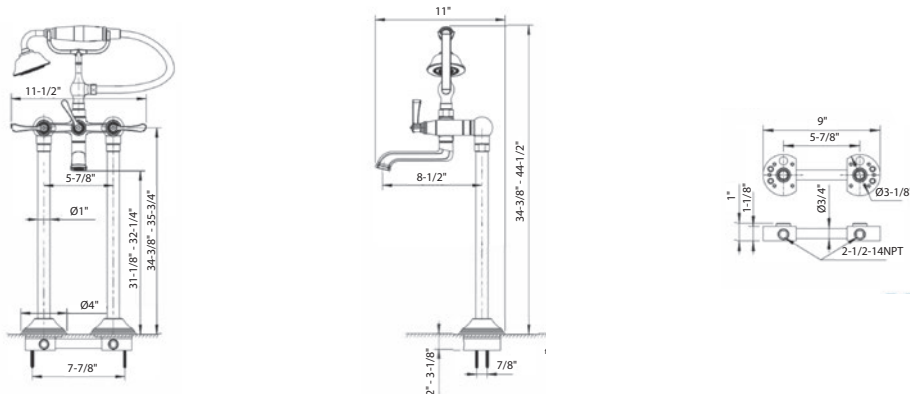
Polished Chrome **11-04-PC** **\$2095**

Polished Nickel **11-04-PN** **\$2095**

Satin Nickel **11-04-SN** **\$2095**

To order the 1.75 GPM model, please insert "175-" after "04-".

Note: See page 306 for the Belgravia 1.75 GPM handshower that is supplied with this set.



BEREA THERMOSTATIC VALVE TRIM

Temperature control only;
volume control(s) sold separately

Required rough features Vernet thermostatic cartridge

The thermostatic valve senses and controls the actual water temperature and blends hot water with cold water to ensure constant, safe temperatures, preventing scalding.

Integral shut-off return valve with filters to prevent cross flow

Flow rate: 12 GPM at 45 PSI

Massachusetts code approved & IAPMO listed

Required rough sold separately: TH-RGH

Polished Chrome	11-16-T-PC	\$325
Polished Nickel	11-16-T-PN	\$325
Satin Nickel	11-16-T-SN	\$325

TEMPERATURE CONTROL ONLY

This valve is a mixer only and requires separate volume control(s).

See [page 418](#) for detailed information



REQUIRED ROUGH

3/4" thermostatic valve rough
TH-RGH \$400



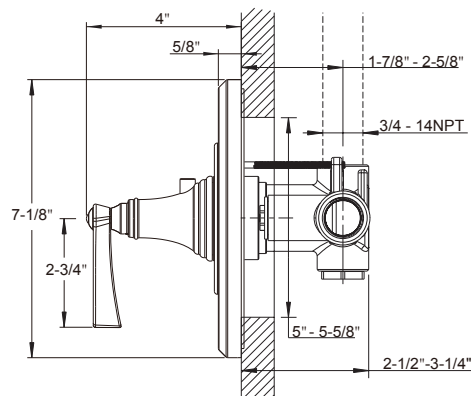
Extension kit:

Polished Chrome	9Q1172CP-PC	\$120
Polished Nickel	9Q1172RN-PN	\$120
Satin Nickel	9Q1172AP-SN	\$120

See [page 415](#) for detailed information



BEREA



BEREA VOLUME CONTROL TRIM

Trim is compatible with roughs for the volume control

Volume control controls on/off and volume functions for a single component in a shower system

Volume control features Flühs quarter-turn ceramic disc cartridge

Massachusetts code approved & IAPMO listed

Required rough (sold separately):

VC-RGH - Volume control

Polished Chrome	11-17-T-PC	\$225
Polished Nickel	11-17-T-PN	\$225
Satin Nickel	11-17-T-SN	\$225



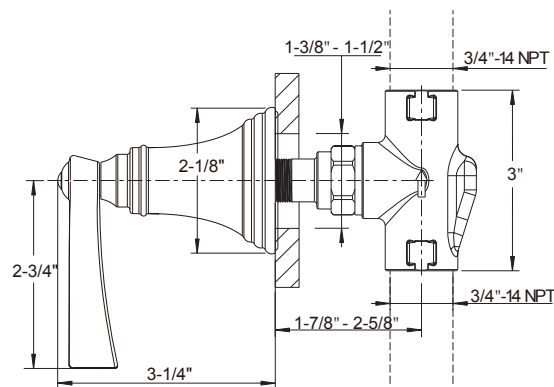
REQUIRED ROUGH

3/4" Volume control rough
VC-RGH **\$120**



Extension kit:
5T1C0319NT + 5P0C0582NT **\$47**

See page 418 for detailed information



BEREA DUAL-CONTROL THERMOSTATIC VALVE TRIM WITH VOLUME CONTROL

Single integrated volume control for 1 water outlet

Required rough features Vernet thermostatic cartridge and Flühs volume control cartridge

The thermostatic valve senses and controls the actual water temperature and blends hot water with cold water to ensure constant, safe temperatures, preventing scalding.

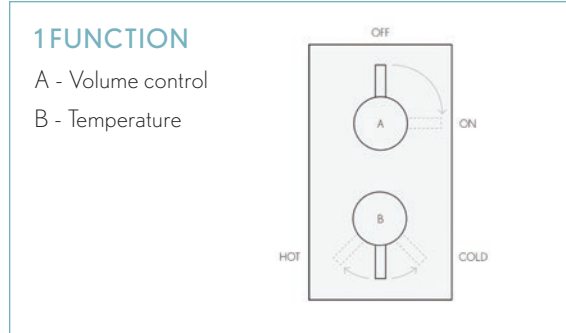
Integral shut-off return valve with filters to prevent cross flow

Flow rate: 10-12 GPM at 45 PSI

Massachusetts code approved & IAPMO listed

Required rough sold separately: TH1-RGH

Polished Chrome	11-19-T-PC	\$445
Polished Nickel	11-19-T-PN	\$445
Satin Nickel	11-19-T-SN	\$445



REQUIRED ROUGH

Dual-control thermostatic valve rough
TH1-RGH \$400



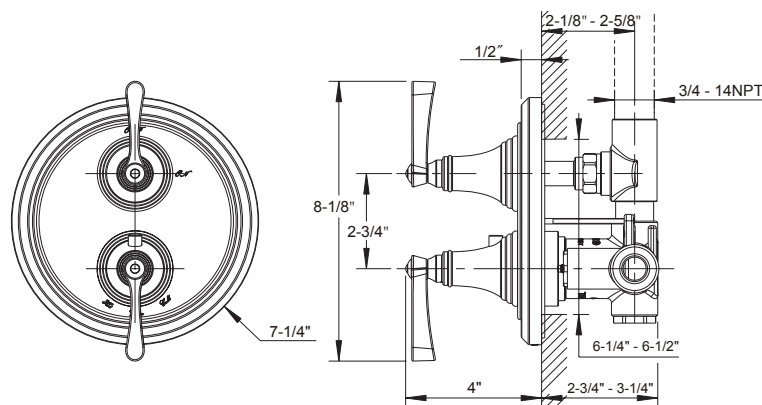
Extension kit:

Polished Chrome	9Q242000CP	\$215
Polished Nickel	9Q242000RN	\$215
Satin Nickel	9Q242000AP	\$215

See [page 413](#) for detailed information



BEREA



BEREA DUAL-CONTROL THERMOSTATIC VALVE TRIM WITH VOLUME CONTROL AND DIVERTER

Integrated volume control/diverter for 2 water outlets

Required rough features Vernet thermostatic cartridge

The thermostatic valve senses and controls the actual water temperature and blends hot water with cold water to ensure constant, safe temperatures, preventing scalding.

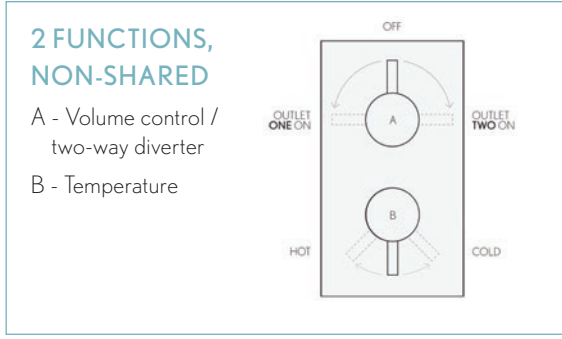
Integral shut-off return valve with filters to prevent cross flow

Flow rate: 12 GPM at 45 PSI

Massachusetts code approved & IAPMO listed

Required rough sold separately: TH2-RGH

Polished Chrome	11-20-T-PC	\$445
Polished Nickel	11-20-T-PN	\$445
Satin Nickel	11-20-T-SN	\$445



REQUIRED ROUGH

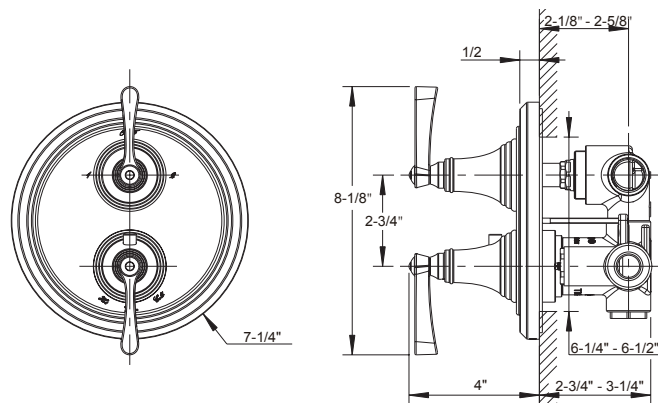
Dual-control thermostatic valve rough
TH2-RGH \$520



Extension kit:

Polished Chrome	9Q242000CP	\$215
Polished Nickel	9Q242000RN	\$215
Satin Nickel	9Q242000AP	\$215

See page 414 for detailed information



BEREA PRESSURE-BALANCE VALVE TRIM

One water outlet

Kerox pressure-balance cartridge

Pressure-balance cartridge maintains constant temperature in response to changes to hot and cold supply

Flow rate: 3-5 GPM at 45 PSI

Massachusetts code approved & IAPMO listed

Required rough sold separately: PBS-RGH

1 FUNCTION
with temperature control

Polished Chrome	11-15P-T-PC	\$225
Polished Nickel	11-15P-T-PN	\$225
Satin Nickel	11-15P-T-SN	\$225



REQUIRED ROUGH

Pressure-balance shower valve rough
PBS-RGH \$270

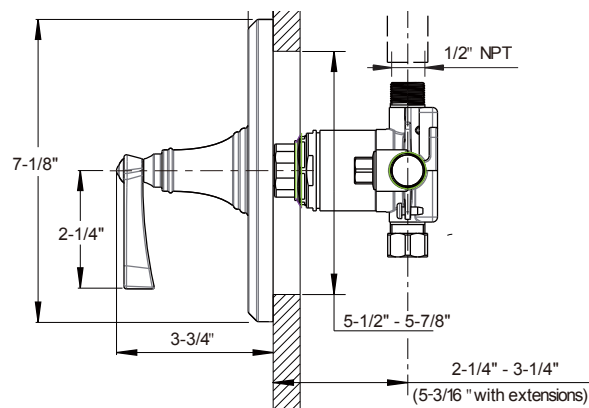


Extension kit:
5T1C0319NT + 5P0C0582NT \$47

See [page 416](#) for detailed information



BEREA



BEREA PRESSURE-BALANCE VALVE WITH DIVERTER TRIM

Two water outlets

Diverter alternates water flow between 2 outlets: tub spout/shower head, tub spout/handshower or shower head/handshower

Kerox pressure-balance cartridge

Pressure-balance cartridge maintains constant temperature in response to changes to hot and cold supply

Flow rate: 3-5 GPM at 45 PSI

This valve supplies water to the bottom outlet first, therefore the water outlet (shower head, handshower, wall spout) that is chosen as the default needs to be piped to the bottom outlet.

Massachusetts code approved & IAPMO listed

Required rough sold separately: PBTS-RGH

**2 FUNCTIONS,
NON-SHARED**

- Two-way diverter
- Temperature

Polished Chrome	11-14P-T-PC	\$245
Polished Nickel	11-14P-T-PN	\$245
Satin Nickel	11-14P-T-SN	\$245



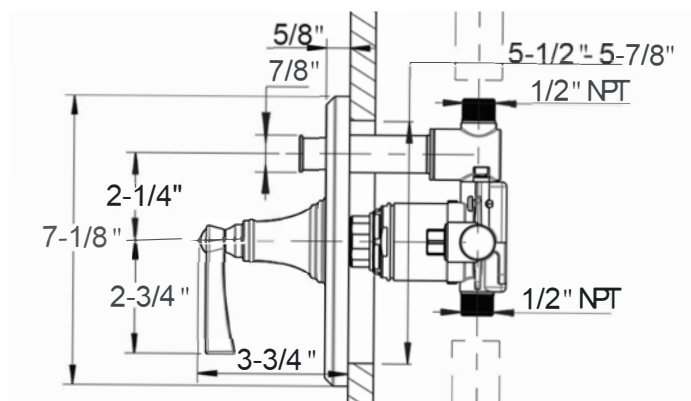
REQUIRED ROUGH

Pressure-balance shower valve with diverter rough
PBTS-RGH \$290



Extension kit:
5T1C0319NT + 5P0C0582NT \$47

See [page 417](#) for detailed information



BEREA PRESSURE-BALANCE SHOWER SET TRIM

Set includes pressure-balance shower valve trim with lever handle and shower head with arm and flange

Shower head features adjustable five-function spray

Shower head flow rate: 1.75 or 2.0 GPM

Kerox pressure-balance cartridge

Pressure-balance cartridge maintains constant temperature in response to changes to hot and cold supply

Rough flow rate: 3-5 GPM at 45 PSI

Massachusetts code approved, IAPMO listed & WaterSense compliant (2.0 GPM only)

Required rough sold separately: PBS-RGH



With 2.0 GPM shower head

Polished Chrome **11-15-T-PC** **\$325**

Polished Nickel **11-15-T-PN** **\$325**

Satin Nickel **11-15-T-SN** **\$325**

To order the 1.75 GPM model, please insert "175-" after the "15-".

REQUIRED ROUGH

Pressure-balance shower valve rough

PBS-RGH **\$270**



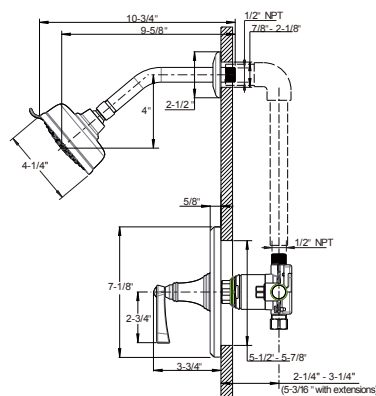
Extension kit:

5T1C0319NT + 5P0C0582NT **\$47**

See [page 416](#) for detailed information



BEREA



BEREA DIVERTER TRIM

Trim is compatible with roughs for the two-way and three-way diverters

Diverters alternate water flow between two or three water outlets.

Note: Diverters do not start, stop or control water flow.

Diverters feature Kerox diverter cartridge

Massachusetts code approved & IAPMO listed

Required rough (sold separately):

DIV-RGH - Two-way diverter

or

3DV-RGH - Three-way diverter

Polished Chrome	11-17-T-PC	\$225
Polished Nickel	11-17-T-PN	\$225
Satin Nickel	11-17-T-SN	\$225



REQUIRED ROUGH

3/4" Two-way diverter rough
DIV-RGH \$240

or

1/2" Three-way diverter rough
3DV-RGH \$200



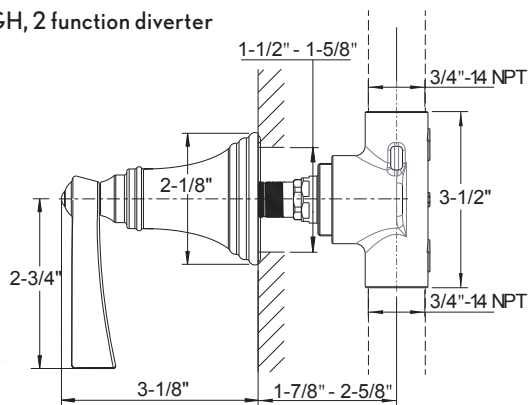
Extension kit:

5T1C0319NT + 5P0C0582NT \$47

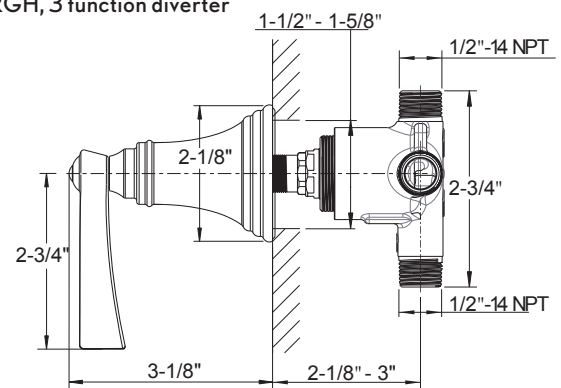
See page 418 for detailed information



With DIV-RGH, 2 function diverter



With 3DV-RGH, 3 function diverter



BEREA PRESSURE-BALANCE TUB AND SHOWER SET TRIM

Set includes pressure-balance shower valve with diverter trim with lever handle, shower head with arm and flange and wall tub spout

Shower head features adjustable five-function spray

Shower head flow rate: 1.75 or 2.0 GPM

Kerox pressure-balance cartridge

Pressure-balance cartridge maintains constant temperature in response to changes to hot and cold supply

Rough flow rate: 3-5 GPM at 45 PSI

Massachusetts code approved, IAPMO listed & WaterSense compliant (2.0 GPM only)

Required rough sold separately: PBTS-RGH

With 2.0 GPM shower head

Polished Chrome	11-14-T-PC	\$395
Polished Nickel	11-14-T-PN	\$395
Satin Nickel	11-14-T-SN	\$395

To order the 1.75 GPM model, please insert "175-" after the "14-".



REQUIRED ROUGH

Pressure-balance shower valve with diverter rough
PBTS-RGH \$290



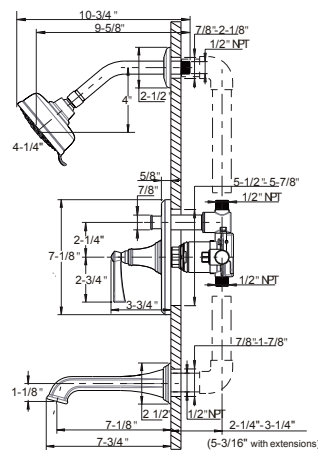
Extension kit:

5T1C0319NT + 5P0C0582NT \$47

See [page 417](#) for detailed information

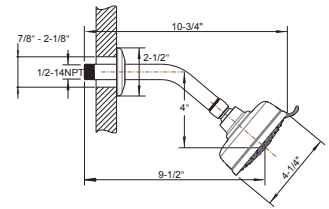


BEREA



BEREA SHOWER HEAD WITH ARM AND FLANGE

Three spray functions - rain, aerated jet and massage
 4-1/4" diameter
 EasyClean anti-limescale nozzles
 Swivel: Yes
 Flow rate: 1.75 or 2.0 GPM
 Inlet connection: 1/2" NPT male
 IAPMO listed
 Massachusetts code approved
 & WaterSense compliant (2.0 GPM only)
 CEC compliant (1.75 GPM only)



2.0 GPM

Polished Chrome	11-21-PC	\$155
Polished Nickel	11-21-PN	\$155
Satin Nickel	11-21-SN	\$155

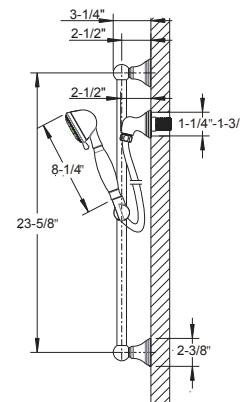
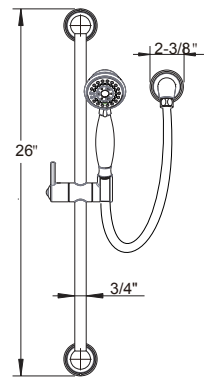
1.75 GPM

Polished Chrome	11-22-PC	\$155
Polished Nickel	11-22-PN	\$155
Satin Nickel	11-22-SN	\$155



BEREA HANDSHOWER RAIL SET

Set includes handshower, hose, slide rail and wall outlet
 1.75 GPM model- Tri-function spray:
 rain, aerated jet, and massage
 2.5 GPM model- Dual-function spray: rain and massage
 Handshower features EasyClean anti-limescale nozzles
 Handshower includes vacuum breaker and flow restrictor
 26" adjustable bar with bracket
 Flow rate: 1.75 or 2.5 GPM
 Inlet connection: 1/2" NPT or 3/4" NPT
 (adapter included)
 Massachusetts code approved (2.5 GPM only)
 IAPMO listed



With 2.5 GPM handshower

Polished Chrome	11-31-PC	\$695
Polished Nickel	11-31-PN	\$695
Satin Nickel	11-31-SN	\$695

With 1.75 GPM handshower

Polished Chrome	11-30-PC	\$695
Polished Nickel	11-30-PN	\$695
Satin Nickel	11-30-SN	\$695

Note: See page 308 for 1.75 GPM handshower supplied with this set.



BEREA

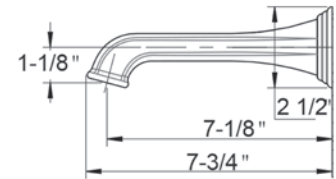
BEREA WALL TUB SPOUT

Solid brass

Spout reach: 7-1/8"

Inlet connection: 1/2" NPT

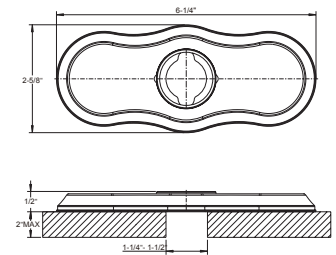
Polished Chrome	11-WTS-PC	\$225
Polished Nickel	11-WTS-PN	\$225
Satin Nickel	11-WTS-SN	\$225



BEREA COVER PLATE

4" centerset cover plate

Polished Chrome	9Q1169CP-PC	\$39
Polished Nickel	9Q1169RN-PN	\$39
Satin Nickel	9Q1169AP-SN	\$39



BEREA PAPER HOLDER / TOWEL RING

Polished Chrome	11-58-PC	\$95
Polished Nickel	11-58-PN	\$95
Satin Nickel	11-58-SN	\$95



BEREA ROBE HOOK

Polished Chrome	11-51-PC	\$65
Polished Nickel	11-51-PN	\$65
Satin Nickel	11-51-SN	\$65



BEREA 18" TOWEL BAR

Polished Chrome	11-65-PC	\$115
Polished Nickel	11-65-PN	\$115
Satin Nickel	11-65-SN	\$115



BEREA 24" TOWEL BAR

Polished Chrome	11-66-PC	\$135
Polished Nickel	11-66-PN	\$135
Satin Nickel	11-66-SN	\$135





Berea Paper Holder in Polished Nickel
(11-58-PN)

Balthazar Bathtub with Black Exterior (US-N25BCS)

Berea Floor-mount Tub Filler with Handshower in Polished Nickel (11-04-PN)

Berea Pressure-balance Shower Set Trim in Polished Nickel (11-15-T-PN)

Berea Robe Hook in Polished Nickel (11-51-PN)



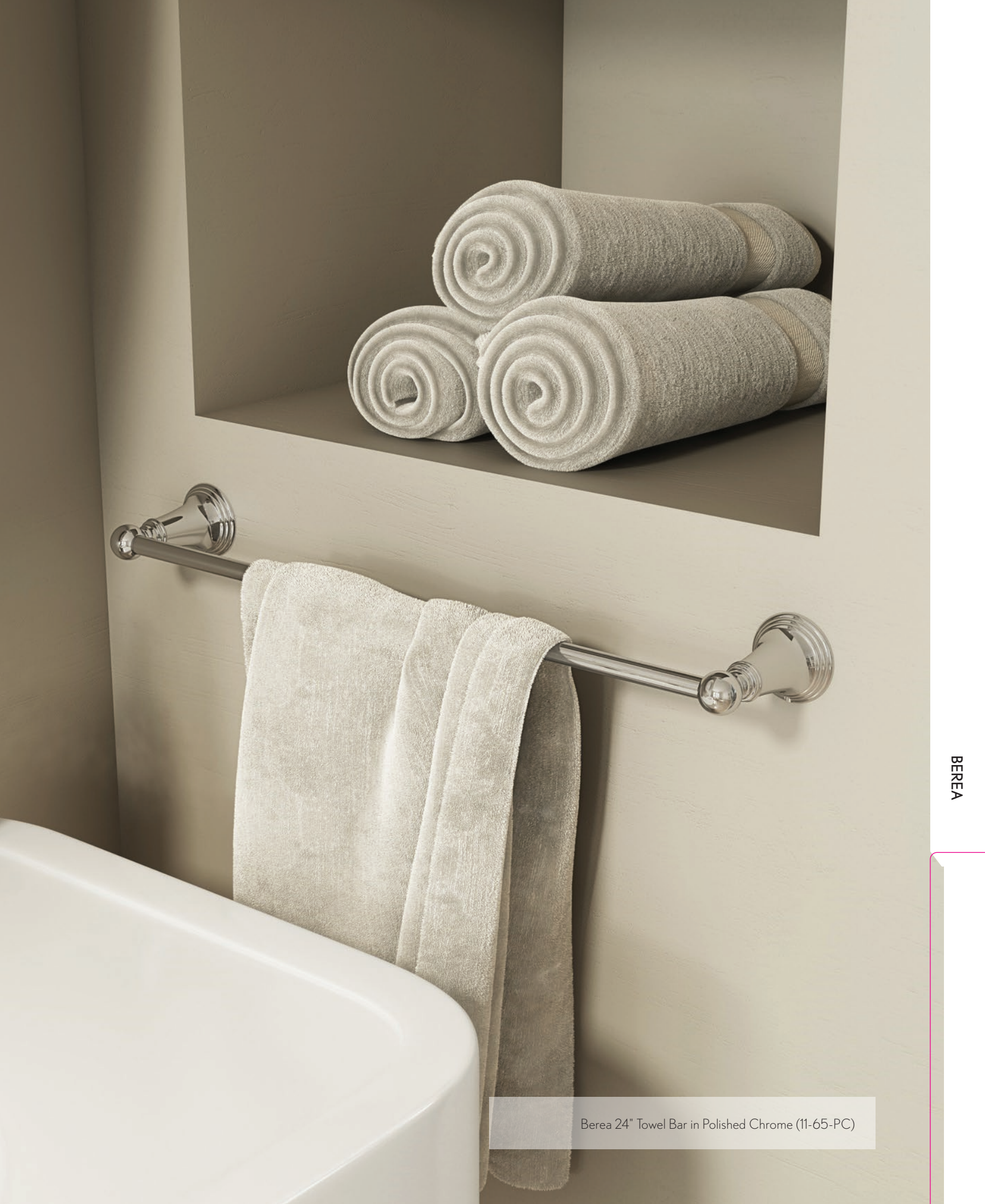


Arcade 36" Pedestal Basin (US-ARC363PB)
Berea Widespread Basin Faucet in Polished Chrome (11-08-PC)
Berea Paper Holder in Polished Chrome (11-58-PC)
Berea 24" Towel Bar in Polished Chrome (11-65-PC)

BEREA



Beria Dual-control Thermostatic Valve with Volume Control
in Polished Nickel (11-19-T-PN)



Berea 24" Towel Bar in Polished Chrome (11-65-PC)



LEYDEN

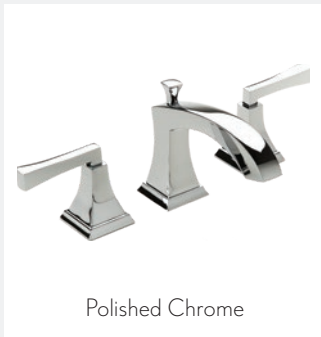


NATURE'S BEAUTY AND POWER INTERPRETED

With bold footings and a tapered design, Leyden expresses the majesty of water and light, movement and reflection. Strong yet simple, Leyden speaks to your aptitude and agility for style and functionality.



AVAILABLE FINISHES



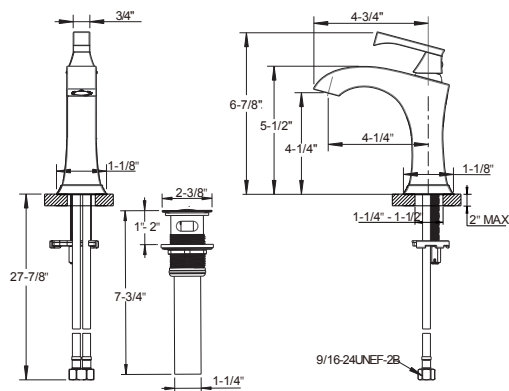
HANDLE OPTIONS



LEYDEN SINGLE-HOLE BASIN FAUCET

- _____ Solid brass construction
- _____ Kerox ceramic disc cartridge
- _____ Push drain assembly included
- _____ Spout reach: 4-1/2"
- _____ Spout swivel: No
- _____ 4" cover plate available (sold separately)
- _____ Massachusetts code approved,
IAPMO listed & WaterSense compliant

Polished Chrome	14-01-PC	\$425
Polished Nickel	14-01-PN	\$425
Satin Nickel	14-01-SN	\$425



LEYDEN

LEYDEN WIDESPREAD BASIN FAUCET

Solid brass construction

Flühs quarter-turn ceramic disc cartridges

Push drain assembly included

Spout reach: 5-1/2"

Spout swivel: No

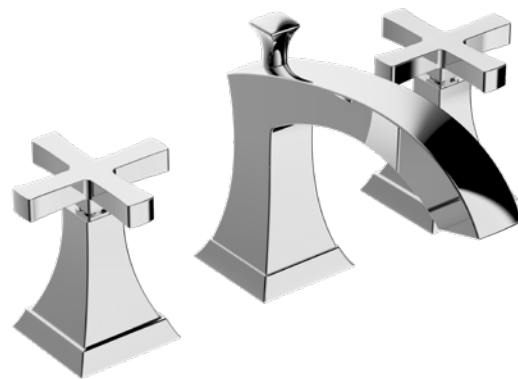
Massachusetts code approved, IAPMO listed
& WaterSense compliant (Lever handle only)

Cross Handle

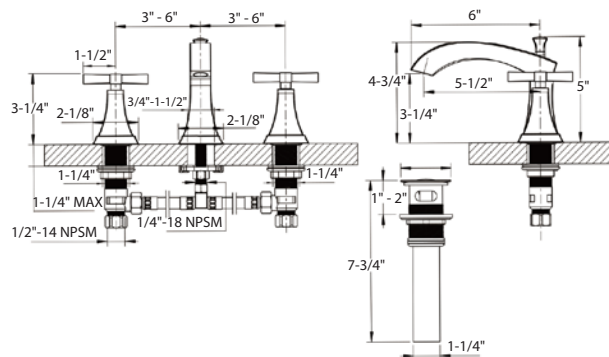
Polished Chrome	14X-08-PC	\$495
Polished Nickel	14X-08-PN	\$495
Satin Nickel	14X-08-SN	\$495

Lever Handle

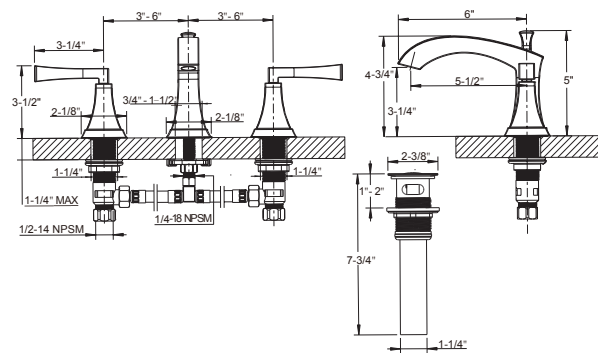
Polished Chrome	14-08-PC	\$495
Polished Nickel	14-08-PN	\$495
Satin Nickel	14-08-SN	\$495



Cross Handles



Lever Handles



LEYDEN DECK TUB FAUCET WITH HANDSHOWER TRIM

- Solid brass construction
- Flühs quarter-turn ceramic disc cartridges
- Single-function handshower with vacuum breaker and 60" hose
- Spout reach: 9"
- Spout swivel: No
- Tub filler flow rate: 11 GPM
- Handshower flow rate: 1.75 or 2.5 GPM
- IAPMO listed (2.5 GPM with Lever handle only)
- Required rough sold separately: DTHS-R-RGH**



Cross Handle with 2.5 GPM handshower

Polished Chrome	14X-03-T-PC	\$1395
Polished Nickel	14X-03-T-PN	\$1395
Satin Nickel	14X-03-T-SN	\$1395

To order the 1.75 GPM model, please insert "175-" after the "03-".

Note: See page 307 for the 1.75 GPM handshower supplied with this set.

Lever Handle with 2.5 GPM handshower

Polished Chrome	14-03-T-PC	\$1395
Polished Nickel	14-03-T-PN	\$1395
Satin Nickel	14-03-T-SN	\$1395

To order the 1.75 GPM model, please insert "175-" after the "03-".

Note: See page 307 for the 1.75 GPM handshower supplied with this set.



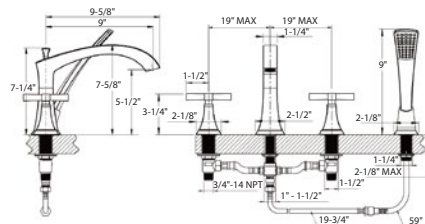
REQUIRED ROUGH

Deck tub set with handshower rough
DTHS-R-RGH \$430

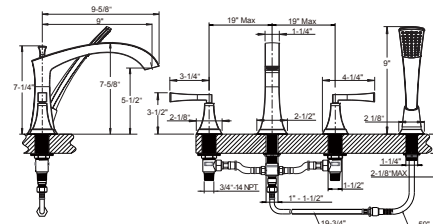


See page 419 for detailed information

Cross Handles



Lever Handles



LEYDEN FLOOR-MOUNT TUB FILLER WITH HANDSHOWER

Solid brass construction

Kerox ceramic disc cartridge

Single-function handshower with vacuum breaker and 60" hose

Spout reach: 8-1/2"

Height to spout: 30-1/2" - 32-3/4"

Spout swivel: No

Tub filler flow rate: 6 GPM

Handshower flow rate: 1.75 or 2.5 GPM

Massachusetts code approved & IAPMO listed (2.5 GPM only)

Rough included

With 2.5 GPM handshower

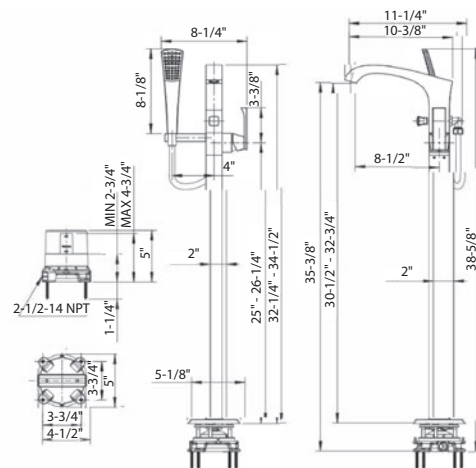
Polished Chrome **14-05-PC** **\$2395**

Polished Nickel **14-05-PN** **\$2395**

Satin Nickel **14-05-SN** **\$2395**

To order the 1.75 GPM model, please insert "175-" after the "05-".

Note: See page 307 for the 1.75 GPM handshower supplied with this set.



LEYDEN THERMOSTATIC VALVE TRIM

Temperature control only;
volume control(s) sold separately

Required rough features Vernet thermostatic cartridge

The thermostatic valve senses and controls the actual water temperature and blends hot water with cold water to ensure constant, safe temperatures, preventing scalding.

Integral shut-off return valve with filters to prevent cross flow

Flow rate: 12 GPM at 45 PSI

Massachusetts code approved & IAPMO listed
(Lever handle only)

Required rough sold separately: TH-RGH

Cross Handle

Polished Chrome	14X-16-T-PC	\$325
Polished Nickel	14X-16-T-PN	\$325
Satin Nickel	14X-16-T-SN	\$325

Lever Handle

Polished Chrome	14-16-T-PC	\$325
Polished Nickel	14-16-T-PN	\$325
Satin Nickel	14-16-T-SN	\$325

TEMPERATURE CONTROL ONLY

This valve is a mixer only and requires separate volume control(s).

See page 418 for detailed information



REQUIRED ROUGH

3/4" thermostatic valve rough
TH-RGH \$400

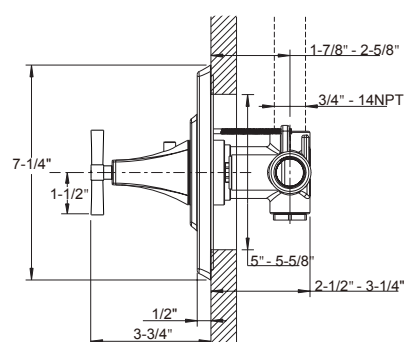


Extension kit:

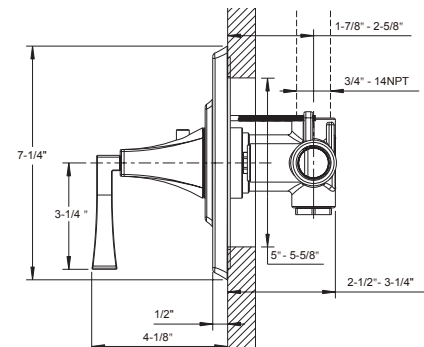
Polished Chrome	9Q1172CP-PC	\$120
Polished Nickel	9Q1172RN-PN	\$120
Satin Nickel	9Q1172AP-SN	\$120

See page 415 for detailed information

Cross Handles



Lever Handles



LEYDEN VOLUME CONTROL TRIM

Trim is compatible with roughs for the volume control

Volume control controls on/off and volume functions for a single component in a shower system

Volume control features Flühs quarter-turn ceramic disc cartridge

Massachusetts code approved & IAPMO listed (Lever handle only)

Required rough (sold separately):

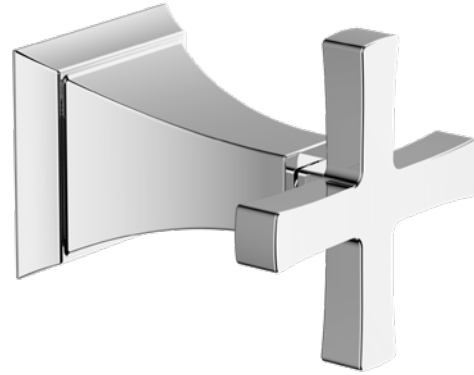
VC-RGH - Volume control

Cross Handle

Polished Chrome	14X-17-T-PC	\$225
Polished Nickel	14X-17-T-PN	\$225
Satin Nickel	14X-17-T-SN	\$225

Lever Handle

Polished Chrome	14-17-T-PC	\$225
Polished Nickel	14-17-T-PN	\$225
Satin Nickel	14-17-T-SN	\$225



REQUIRED ROUGH

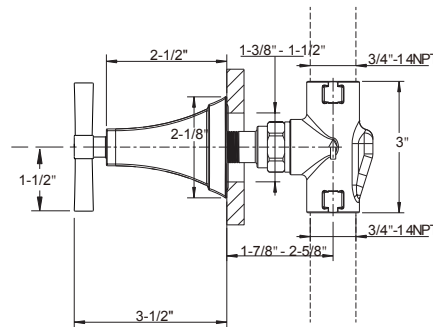
3/4" Volume control rough
VC-RGH **\$120**



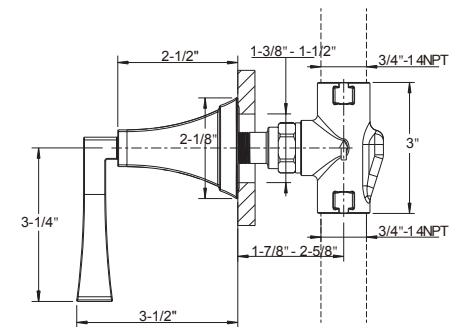
Extension kit:
5T1C0319NT + 5P0C0582NT **\$47**

See page 418 for detailed information

Cross Handles



Lever Handles



LEYDEN DUAL-CONTROL THERMOSTATIC VALVE TRIM WITH VOLUME CONTROL

Single integrated volume control for 1 water outlet

Required rough features Vernet thermostatic cartridge and Flühs volume control cartridge

The thermostatic valve senses and controls the actual water temperature and blends hot water with cold water to ensure constant, safe temperatures, preventing scalding.

Integral shut-off return valve with filters to prevent cross flow

Flow rate: 10-12 GPM at 45 PSI

Massachusetts code approved & IAPMO listed (Lever handle only)

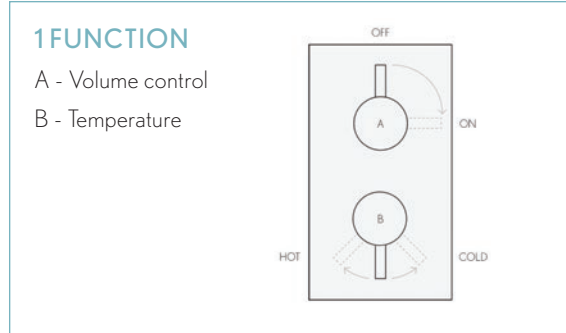
Required rough sold separately: TH1-RGH

Cross Handle

Polished Chrome	14X-19-T-PC	\$445
Polished Nickel	14X-19-T-PN	\$445
Satin Nickel	14X-19-T-SN	\$445

Lever Handle

Polished Chrome	14-19-T-PC	\$445
Polished Nickel	14-19-T-PN	\$445
Satin Nickel	14-19-T-SN	\$445



REQUIRED ROUGH

Dual-control thermostatic valve rough
TH1-RGH \$400

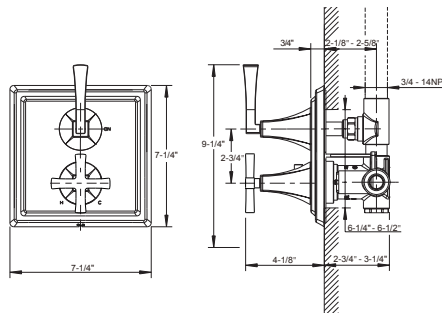


Extension kit:

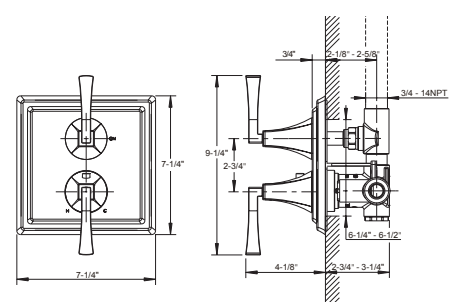
Polished Chrome	9Q242000CP	\$215
Polished Nickel	9Q242000RN	\$215
Satin Nickel	9Q242000AP	\$215

See page 413 for detailed information

Cross Handles



Lever Handles



LEYDEN DUAL-CONTROL THERMOSTATIC VALVE TRIM WITH VOLUME CONTROL AND DIVERTER

Integrated volume control/diverter for 2 water outlets

Required rough features Vernet thermostatic cartridge

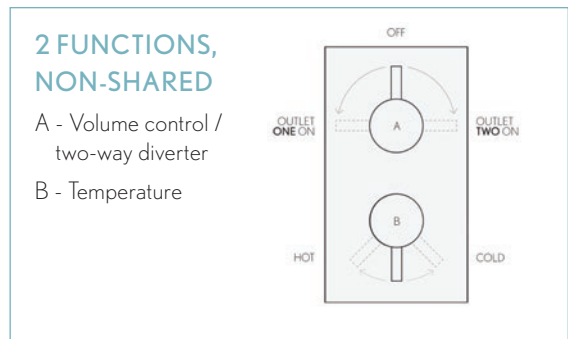
The thermostatic valve senses and controls the actual water temperature and blends hot water with cold water to ensure constant, safe temperatures, preventing scalding.

Integral shut-off return valve with filters to prevent cross flow

Flow rate: 12 GPM at 45 PSI

Massachusetts code approved & IAPMO listed (Lever handle only)

Required rough sold separately: TH2-RGH



Cross Handle

Polished Chrome	14X-20-T-PC	\$445
Polished Nickel	14X-20-T-PN	\$445
Satin Nickel	14X-20-T-SN	\$445

Lever Handles

Polished Chrome	14-20-T-PC	\$445
Polished Nickel	14-20-T-PN	\$445
Satin Nickel	14-20-T-SN	\$445



LEYDEN

REQUIRED ROUGH

Dual-control thermostatic valve rough
TH2-RGH \$520

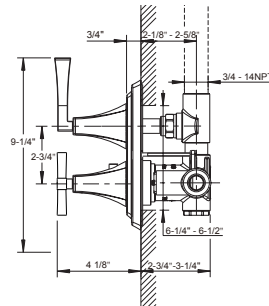
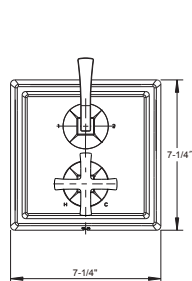


Extension kit:

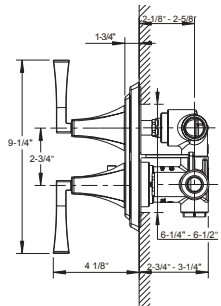
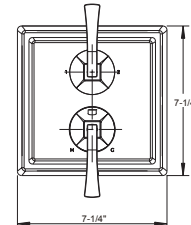
Polished Chrome	9Q242000CP	\$215
Polished Nickel	9Q242000RN	\$215
Satin Nickel	9Q242000AP	\$215

See page 414 for detailed information

Cross Handles



Lever Handles



LEYDEN PRESSURE-BALANCE VALVE TRIM

One water outlet
 Kerox pressure-balance cartridge
 Pressure-balance cartridge maintains constant temperature in response to changes to hot and cold supply
 Flow rate: 3-5 GPM at 45 PSI
 Massachusetts code approved & IAPMO listed (Lever handle only)
Required rough sold separately: PBS-RGH

1FUNCTION
 with temperature control

Cross Handle

Polished Chrome	14X-15P-T-PC	\$225
Polished Nickel	14X-15P-T-PN	\$225
Satin Nickel	14X-15P-T-SN	\$225

Lever Handle

Polished Chrome	14-15P-T-PC	\$225
Polished Nickel	14-15P-T-PN	\$225
Satin Nickel	14-15P-T-SN	\$225



REQUIRED ROUGH

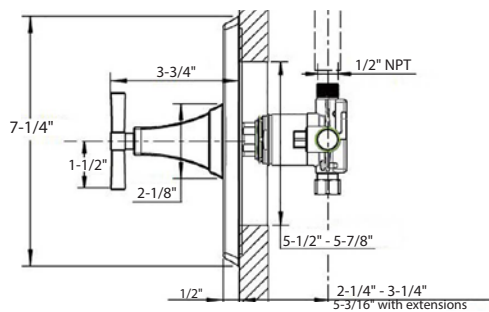
Pressure-balance shower valve rough
PBS-RGH \$270



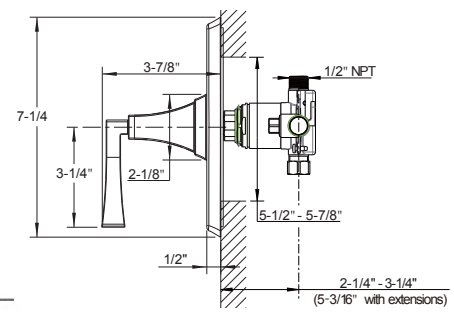
Extension kit:
5T1C0319NT + 5P0C0582NT \$47

See page 416 for detailed information

Cross Handles



Lever Handles



LEYDEN PRESSURE-BALANCE VALVE WITH DIVERTER TRIM

Two water outlets

Diverter alternates water flow between 2 outlets: tub spout/shower head, tub spout/handshower or shower head/handshower

Kerox pressure-balance cartridge

Pressure-balance cartridge maintains constant temperature in response to changes to hot and cold supply

Flow rate: 3-5 GPM at 45 PSI

Massachusetts code approved & IAPMO listed (Lever handle only)

Required rough sold separately: PBTS-RGH

**2 FUNCTIONS,
NON-SHARED**

- Two-way diverter
- Temperature

Cross Handle

Polished Chrome	14X-14P-T-PC	\$245
Polished Nickel	14X-14P-T-PN	\$245
Satin Nickel	14X-14P-T-SN	\$245

Lever Handle

Polished Chrome	14-14P-T-PC	\$245
Polished Nickel	14-14P-T-PN	\$245
Satin Nickel	14-14P-T-SN	\$245



REQUIRED ROUGH

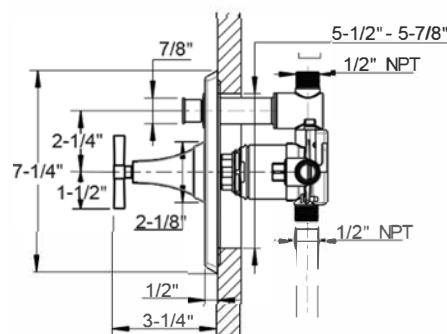
Pressure-balance shower valve with diverter rough
PBTS-RGH \$290



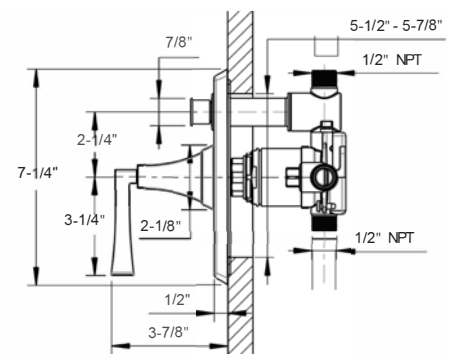
Extension kit:
5T1C0319NT + 5P0C0582NT \$47

See page 417 for detailed information

Cross Handles



Lever Handles



LEYDEN PRESSURE-BALANCE SHOWER SET TRIM

Set includes pressure-balance shower valve trim with lever handle and shower head with arm and flange

Shower head features adjustable five-function spray

Shower head flow rate: 1.75 or 2.0 GPM

Kerox pressure-balance cartridge

Pressure-balance cartridge maintains constant temperature in response to changes to hot and cold supply

Rough flow rate: 3-5 GPM at 45 PSI

Massachusetts code approved, IAPMO listed & WaterSense compliant (2.0 GPM with Lever handle only)

Required rough sold separately: PBS-RGH

Cross Handle with 2.0 GPM shower head

Polished Chrome	14X-15-T-PC	\$325
Polished Nickel	14X-15-T-PN	\$325
Satin Nickel	14X-15-T-SN	\$325

To order the 1.75 GPM model, please insert "175-" after the "15-".

Lever Handle with 2.0 GPM shower head

Polished Chrome	14-15-T-PC	\$325
Polished Nickel	14-15-T-PN	\$325
Satin Nickel	14-15-T-SN	\$325

To order the 1.75 GPM model, please insert "175-" after the "15-".



REQUIRED ROUGH

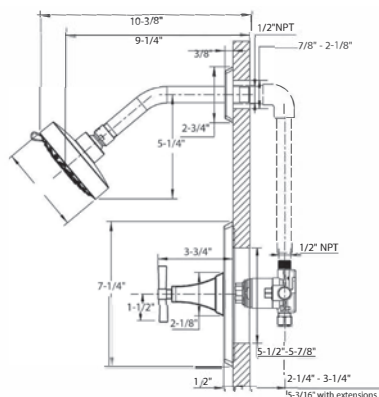
Pressure-balance shower valve rough
PBS-RGH \$270



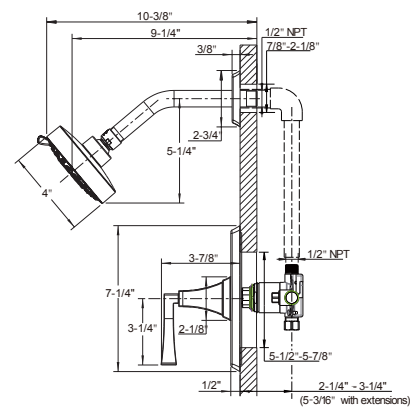
Extension kit:
5T1C0319NT + 5P0C0582NT \$47

See page 416 for detailed information

Cross Handles



Lever Handles



LEYDEN PRESSURE-BALANCE TUB AND SHOWER SET TRIM

Set includes pressure-balance shower valve with diverter trim with lever handle, shower head with arm and flange and wall tub spout

Shower head features adjustable five-function spray

Shower head flow rate: 1.75 or 2.0 GPM

Kerox pressure-balance cartridge

Pressure-balance cartridge maintains constant temperature in response to changes to hot and cold supply

Rough flow rate: 3-5 GPM at 45 PSI

Massachusetts code approved, IAPMO listed & WaterSense compliant (2.0 GPM with Lever handle only)

Required rough sold separately: PBTS-RGH



- Cross Handle with 2.0 GPM shower head**
- Polished Chrome **14X-14-T-PC** **\$395**
 - Polished Nickel **14X-14-T-PN** **\$395**
 - Satin Nickel **14X-14-T-SN** **\$395**

To order the 1.75 GPM model, please insert "175-" after the "14-".

- Lever Handle with 2.0 GPM shower head**
- Polished Chrome **14-14-T-PC** **\$395**
 - Polished Nickel **14-14-T-PN** **\$395**
 - Satin Nickel **14-14-T-SN** **\$395**

To order the 1.75 GPM model, please insert "175-" after the "14-14-".



LEYDEN

REQUIRED ROUGH

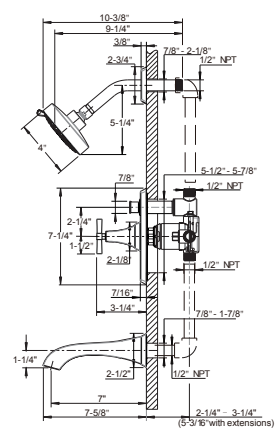
Pressure-balance shower valve with diverter rough
PBTS-RGH \$290



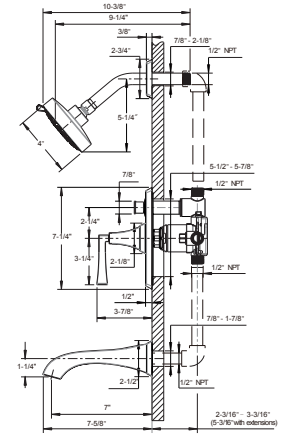
Extension kit:
5T1C0319NT + 5P0C0582NT \$47

See page 417 for detailed information

Cross Handles



Lever Handles



LEYDEN DIVERTER TRIM

Trim is compatible with roughs for the two-way and three-way diverters.

Diverters alternate water flow between two or three water outlets.

Note: Diverters do not start, stop or control water flow.

Diverters feature Kerox diverter cartridge

Massachusetts code approved & IAPMO listed (Lever handle only)

Required rough (sold separately):

DIV-RGH - Two-way diverter

or

3DV-RGH - Three-way diverter

Cross Handle

Polished Chrome **14X-17-T-PC** **\$225**

Polished Nickel **14X-17-T-PN** **\$225**

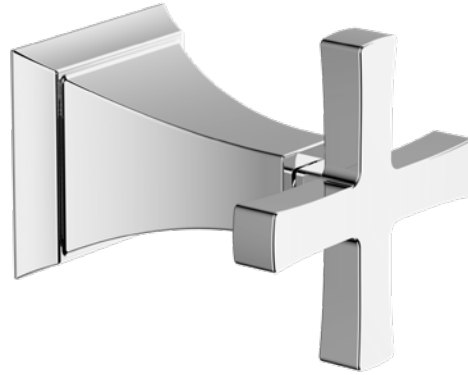
Satin Nickel **14X-17-T-SN** **\$225**

Lever Handle

Polished Chrome **14-17-T-PC** **\$225**

Polished Nickel **14-17-T-PN** **\$225**

Satin Nickel **14-17-T-SN** **\$225**



REQUIRED ROUGH

3/4" Two-way diverter rough

DIV-RGH **\$240**

or

1/2" Three-way diverter rough

3DV-RGH **\$200**

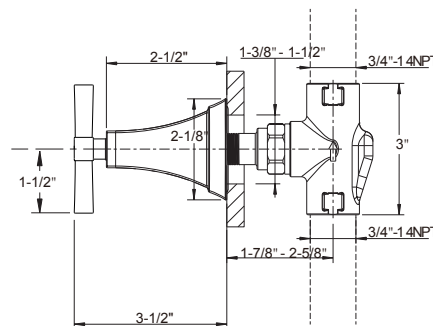
Extension kit:

5T1C0319NT + 5P0C0582NT **\$47**

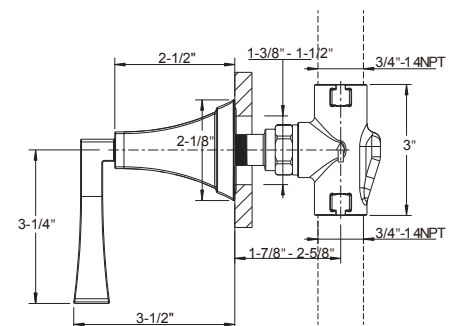
See page 418 for detailed information



Cross Handles

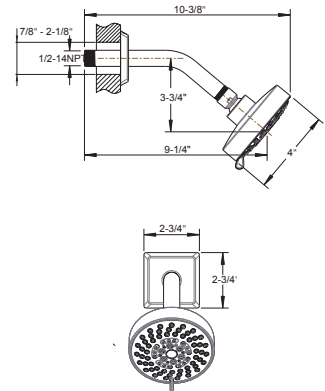


Lever Handles



LEYDEN SHOWER HEAD WITH ARM AND FLANGE

Three spray functions - rain, aerated jet and massage
 4" diameter
 EasyClean anti-limescale nozzles
 Swivel: Yes
 Flow rate: 1.75 or 2.0 GPM
 Inlet connection: 1/2" NPT male
 IAPMO listed
 Massachusetts code approved
 & WaterSense compliant (2.0 GPM only)
 CEC compliant (1.75 GPM only)



2.0 GPM

Polished Chrome	14-21-PC	\$155
Polished Nickel	14-21-PN	\$155
Satin Nickel	14-21-SN	\$155

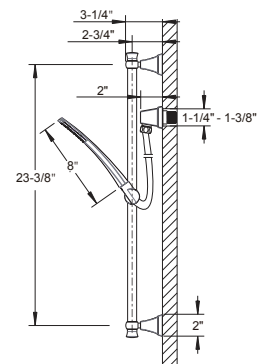
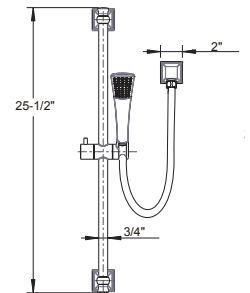
1.75 GPM

Polished Chrome	14-22-PC	\$155
Polished Nickel	14-22-PN	\$155
Satin Nickel	14-22-SN	\$155



LEYDEN HANDSHOWER RAIL SET

Set includes handshower, hose, slide rail and wall outlet
 Single-function spray: rain
 Handshower features EasyClean anti-limescale nozzles
 Handshower includes vacuum breaker and flow restrictor
 25-1/2" adjustable bar with bracket
 Flow rate: 1.75 or 2.5 GPM
 Inlet connection: 1/2" NPT or 3/4" NPT
 (adapter included)
 Massachusetts code approved (2.5 GPM only)
 IAPMO listed



With 2.5 GPM handshower

Polished Chrome	14-31-PC	\$695
Polished Nickel	14-31-PN	\$695
Satin Nickel	14-31-SN	\$695

With 1.75 GPM handshower

Polished Chrome	14-30-PC	\$695
Polished Nickel	14-30-PN	\$695
Satin Nickel	14-30-SN	\$695

Note: See page 307 for the 1.75 GPM handshower supplied with this set.



LEYDEN HANDSHOWER

Single function spray

Handshower features EasyClean anti-limescale nozzles

Handshower includes vacuum breaker and flow restrictor

Maximum flow rate: 1.75 or 2.5 GPM

Massachusetts code approved, IAPMO listed, CEC compliant & WaterSense compliant (1.75 GPM only)

With 2.5 GPM handshower

Note: Discontinued when sold through

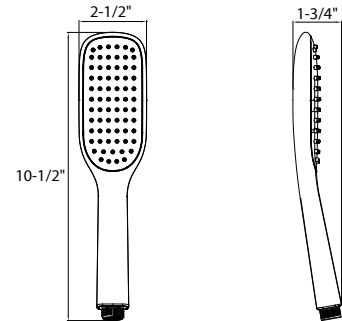
Polished Chrome	14-38-PC	\$110
Polished Nickel	14-38-PN	\$110
Satin Nickel	14-38-SN	\$110

With 1.75 GPM handshower

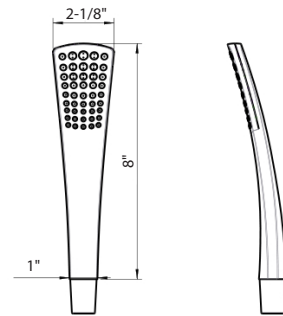
Polished Chrome	14-37-PC	\$110
Polished Nickel	14-37-PN	\$110
Satin Nickel	14-37-SN	\$110



14-37



14-38



59" HANDSHOWER HOSE

Double-spiral brass hose

Length: 59"

1/2" female threads

Polished Chrome	9Q242500CP	\$99
Polished Nickel	9Q242500RN	\$99
Satin Nickel	9Q242500AP	\$99



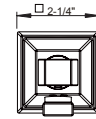
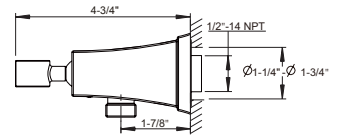
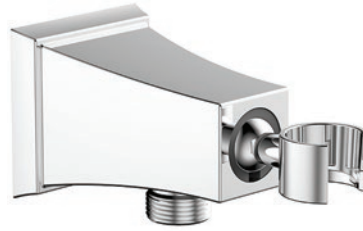
LEYDEN WALL BRACKET WITH OUTLET

Includes vacuum breaker

Inlet connection size: 1/2" NPT male

IAPMO listed

Polished Chrome	14-35-PC	\$195
Polished Nickel	14-35-PN	\$195
Satin Nickel	14-35-SN	\$195



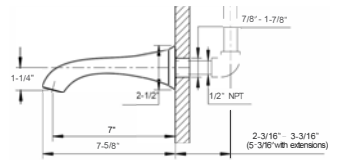
LEYDEN WALL TUB SPOUT

Solid brass

Spout reach: 7"

Inlet connection size: 1/2" NPT

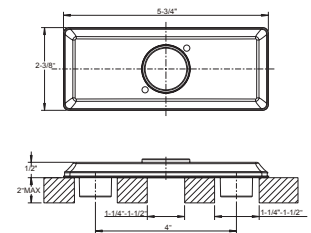
Polished Chrome	14-WTS-PC	\$255
Polished Nickel	14-WTS-PN	\$255
Satin Nickel	14-WTS-SN	\$255



COVER PLATE

4" centerset cover plate

Polished Chrome	9Q1170CP-PC	\$39
Polished Nickel	9Q1170RN-PN	\$39
Satin Nickel	9Q1170AP-SN	\$39



LEYDEN PAPER HOLDER / TOWEL RING

Polished Chrome	14-58-PC	\$95
Polished Nickel	14-58-PN	\$95
Satin Nickel	14-58-SN	\$95



LEYDEN ROBE HOOK

Polished Chrome	14-51-PC	\$65
Polished Nickel	14-51-PN	\$65
Satin Nickel	14-51-SN	\$65



LEYDEN 18" TOWEL BAR

Polished Chrome	14-65-PC	\$115
Polished Nickel	14-65-PN	\$115
Satin Nickel	14-65-SN	\$115



LEYDEN 24" TOWEL BAR

Polished Chrome	14-66-PC	\$135
Polished Nickel	14-66-PN	\$135
Satin Nickel	14-66-SN	\$135



LEYDEN



Leyden Floor-mount Tub Filler in Satin Nickel
(14-05-SN)



LEYDEN

Leyden Widespread Basin Faucet with Cross Handles
in Polished Chrome (14X-08-PC)

LEYDEN



Leyden Handshower Rail Set in Polished Chrome (14-31-PC)



Leyden Floor-mount Tub Filler in Polished Chrome (14-05-PC)



DARBY

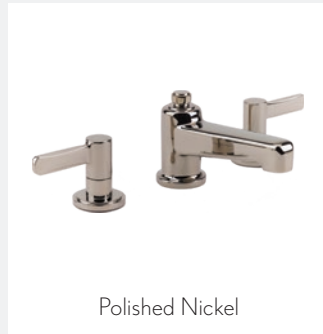
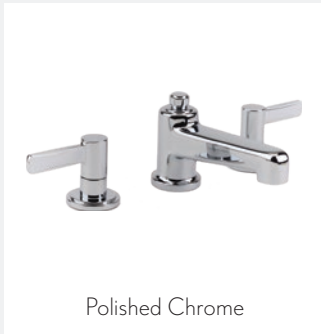


CLASSIC MEETS ART DECO IN A STATEMENT OF DISTINCTIVE LUXURY

Inspired by the columns of early-Renaissance concert harps, Darby's solid, barrel-shaped form and clean fluid lines echo Old World elegance with contemporary sophistication.



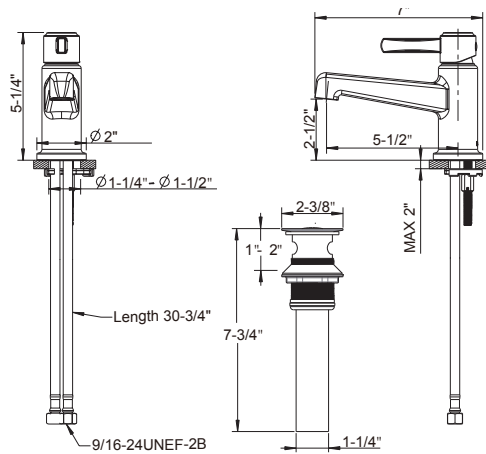
AVAILABLE FINISHES



DARBY SINGLE-HOLE BASIN FAUCET

- _____ Solid brass construction
- _____ Kerox ceramic disc cartridge
- _____ Push drain assembly included
- _____ Spout reach: 5-1/2"
- _____ Spout swivel: No
- _____ 4" cover plate available (sold separately)
- _____ Massachusetts code approved,
IAPMO listed & WaterSense compliant

Polished Chrome	15-01-PC	\$425
Polished Nickel	15-01-PN	\$425
Satin Nickel	15-01-SN	\$425

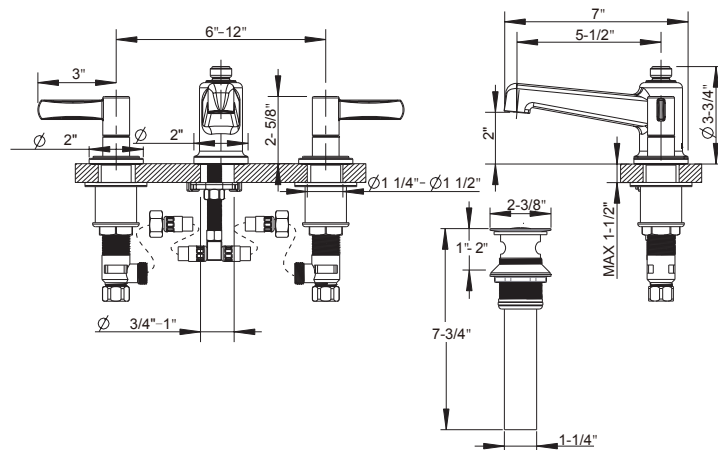


DARBY

DARBY WIDESPREAD BASIN FAUCET

- Solid brass construction
- Flühs quarter-turn ceramic disc cartridges
- Push drain assembly included
- Spout reach: 5-1/2"
- Spout swivel: No
- Massachusetts code approved,
IAPMO listed & WaterSense compliant

Polished Chrome	15-08-PC	\$495
Polished Nickel	15-08-PN	\$495
Satin Nickel	15-08-SN	\$495



DARBY DECK-MOUNT TUB FAUCET WITH HANDSHOWER TRIM

- Solid brass construction
 - Flühs quarter-turn ceramic disc cartridges
 - 1.75 GPM model handshower features
 - 3 sprays (rain, aerated, massage)
 - 2.0 GPM model handshower features
 - 2 sprays (rain and massage)
 - Handshower includes vacuum breaker and 60" hose
 - Spout reach: 9-1/2"
 - Spout swivel: No
 - Tub filler flow rate: 13 GPM
 - Handshower flow rate: 1.75 or 2.0 GPM
 - Massachusetts code approved, IAPMO listed & WaterSense compliant (2.0 GPM only)
- Required rough sold separately: DTHS-S-RGH**

With 2.0 GPM handshower

Polished Chrome	15-03-T-PC	\$1595
Polished Nickel	15-03-T-PN	\$1595
Satin Nickel	15-03-T-SN	\$1595

To order the 1.75 GPM model, please insert "175-" after the "03-".

Note: See page 308 for the 1.75 GPM handshower supplied with this set.



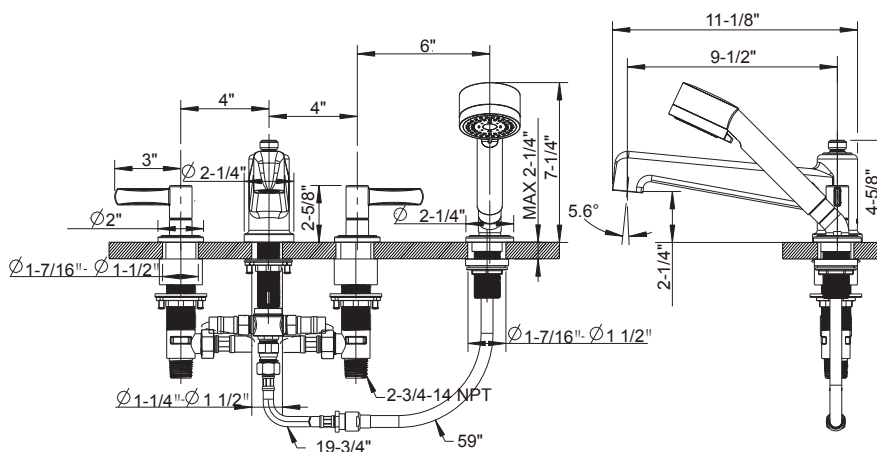
REQUIRED ROUGH

Deck tub set with handshower rough

DTHS-S-RGH \$430



See page 419 for detailed information



DARBY FLOOR-MOUNT TUB FILLER WITH HANDSHOWER

Solid brass construction

Kerox ceramic disc cartridge

Single-function handshower with vacuum breaker and 60" hose

Spout reach: 8-1/2"

Height to spout: 29-3/4" - 32"

Spout swivel: No

Tub filler flow rate: 6 GPM

Handshower flow rate: 1.75 or 2.5 GPM

Massachusetts code approved & IAPMO listed (2.5 GPM only)

Rough included

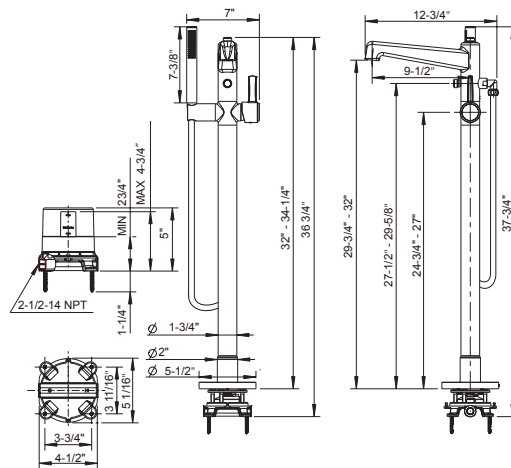
With 2.5 GPM handshower

Polished Chrome **15-05-PC** **\$2495**

Polished Nickel **15-05-PN** **\$2495**

Satin Nickel **15-05-SN** **\$2495**

To order the 1.75 GPM model, please insert "175-" after the "05-".



DARBY THERMOSTATIC VALVE TRIM

Temperature control only;
volume control(s) sold separately

Required rough features Vernet thermostatic cartridge

The thermostatic valve senses and controls the actual water temperature and blends hot water with cold water to ensure constant, safe temperatures, preventing scalding.

Integral shut-off return valve with filters to prevent cross flow

Flow rate: 12 GPM at 45 PSI

Massachusetts code approved & IAPMO listed

Required rough sold separately: TH-RGH

Polished Chrome	15-16-T-PC	\$325
Polished Nickel	15-16-T-PN	\$325
Satin Nickel	15-16-T-SN	\$325

TEMPERATURE CONTROL ONLY

This valve is a mixer only and requires separate volume control(s).

See page 418 for detailed information



REQUIRED ROUGH

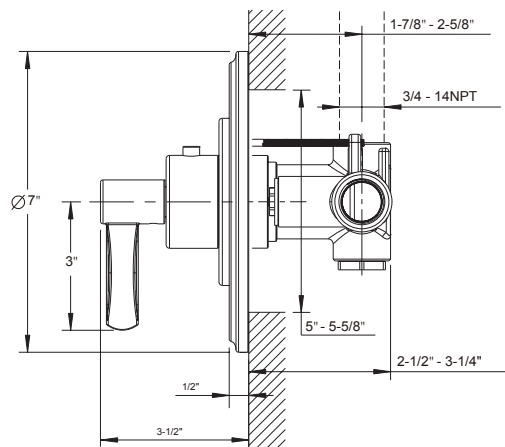
3/4" thermostatic valve rough
TH-RGH \$400



Extension kit:

Polished Chrome	9Q1172CP-PC	\$120
Polished Nickel	9Q1172RN-PN	\$120
Satin Nickel	9Q1172AP-SN	\$120

See page 415 for detailed information



DARBY VOLUME CONTROL TRIM

Trim is compatible with roughs for the volume control

Volume control controls on/off and volume functions for a single component in a shower system

Volume control features Flühs quarter-turn ceramic disc cartridge

Massachusetts code approved & IAPMO listed

Required rough (sold separately):

VC-RGH - Volume control

Polished Chrome	15-17-T-PC	\$225
Polished Nickel	15-17-T-PN	\$225
Satin Nickel	15-17-T-SN	\$225



REQUIRED ROUGH

3/4" Volume control rough
VC-RGH **\$120**

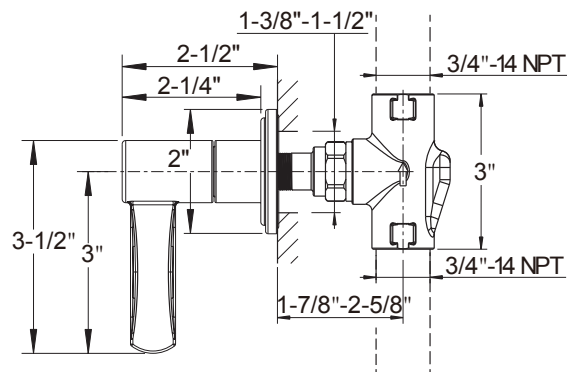


Extension kit:
5T1C0319NT + 5P0C0582NT **\$47**

See [page 418](#) for detailed information



with VC-RGH valves, volume control



DARBY DUAL-CONTROL THERMOSTATIC VALVE TRIM WITH VOLUME CONTROL

Single integrated volume control for 1 water outlet

Required rough features Vernet thermostatic cartridge and Flühs volume control cartridge

The thermostatic valve senses and controls the actual water temperature and blends hot water with cold water to ensure constant, safe temperatures, preventing scalding.

Integral shut-off return valve with filters to prevent cross flow

Flow rate: 10-12 GPM at 45 PSI

Massachusetts code approved & IAPMO listed

Required rough sold separately: TH1-RGH

Polished Chrome	15-19-T-PC	\$445
Polished Nickel	15-19-T-PN	\$445
Satin Nickel	15-19-T-SN	\$445

REQUIRED ROUGH

Dual-control thermostatic valve rough
TH1-RGH \$400



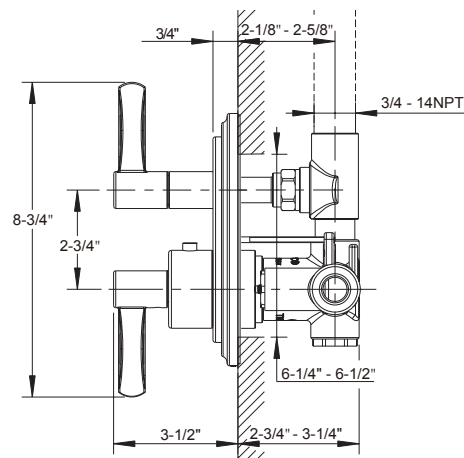
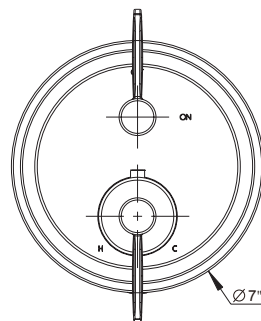
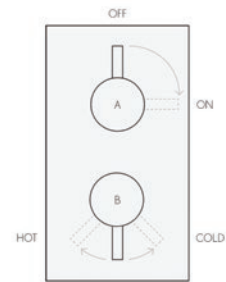
Extension kit:

Polished Chrome	9Q242000CP	\$215
Polished Nickel	9Q242000RN	\$215
Satin Nickel	9Q242000AP	\$215

See [page 413](#) for detailed information

1FUNCTION

A - Volume control
B - Temperature



DARBY DUAL-CONTROL THERMOSTATIC VALVE TRIM WITH VOLUME CONTROL AND DIVERTER

Integrated volume control/diverter for 2 water outlets

Required rough features Vernet thermostatic cartridge

The thermostatic valve senses and controls the actual water temperature and blends hot water with cold water to ensure constant, safe temperatures, preventing scalding.

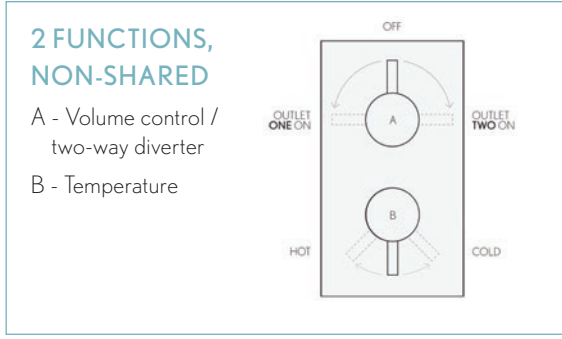
Integral shut-off return valve with filters to prevent cross flow

Flow rate: 12 GPM at 45 PSI

Massachusetts code approved & IAPMO listed

Required rough sold separately: TH2-RGH

Polished Chrome	15-20-T-PC	\$445
Polished Nickel	15-20-T-PN	\$445
Satin Nickel	15-20-T-SN	\$445



REQUIRED ROUGH

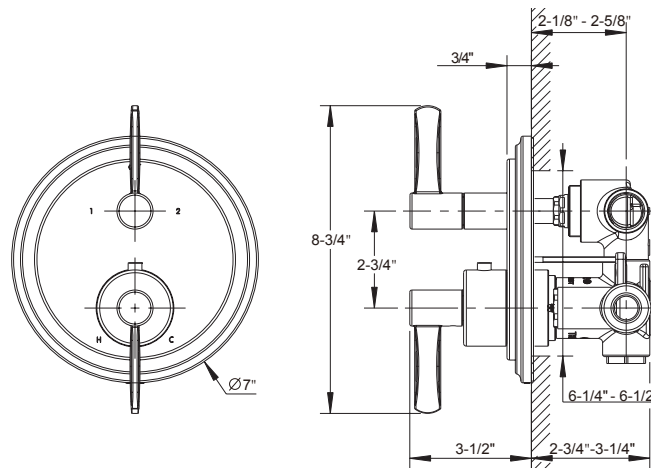
Dual-control thermostatic valve rough
TH2-RGH \$520



Extension kit:

Polished Chrome	9Q242000CP	\$215
Polished Nickel	9Q242000RN	\$215
Satin Nickel	9Q242000AP	\$215

See page 414 for detailed information



DARBY PRESSURE-BALANCE VALVE TRIM

One water outlet

Kerox pressure-balance cartridge

Pressure-balance cartridge maintains constant temperature in response to changes to hot and cold supply

Flow rate: 3-5 GPM at 45 PSI

Massachusetts code approved & IAPMO listed

Required rough sold separately: PBS-RGH

1 FUNCTION
with temperature control

Polished Chrome	15-15P-T-PC	\$225
Polished Nickel	15-15P-T-PN	\$225
Satin Nickel	15-15P-T-SN	\$225



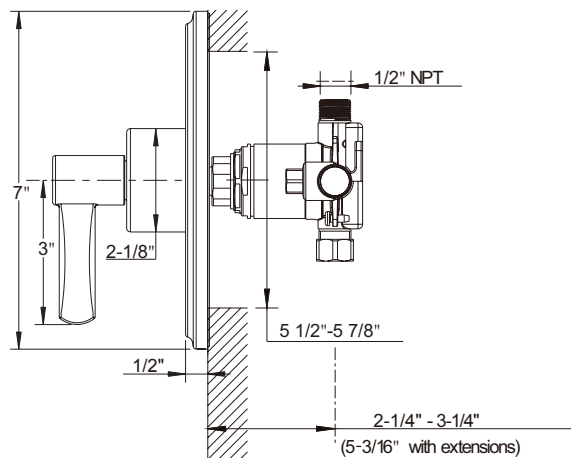
REQUIRED ROUGH

Pressure-balance shower valve rough
PBS-RGH \$270



Extension kit:
5T1C0319NT + 5P0C0582NT \$47

See [page 416](#) for detailed information



DARBY PRESSURE-BALANCE VALVE WITH DIVERTER TRIM

Two water outlets

Diverter alternates water flow between 2 outlets: tub spout/shower head, tub spout/handshower or shower head/handshower

Kerox pressure-balance cartridge

Pressure-balance cartridge maintains constant temperature in response to changes to hot and cold supply

Flow rate: 3-5 GPM at 45 PSI

Massachusetts code approved & IAPMO listed

Required rough sold separately: PBTS-RGH

**2 FUNCTIONS,
NON-SHARED**

- Two-way diverter
- Temperature

Polished Chrome	15-14P-T-PC	\$245
Polished Nickel	15-14P-T-PN	\$245
Satin Nickel	15-14P-T-SN	\$245



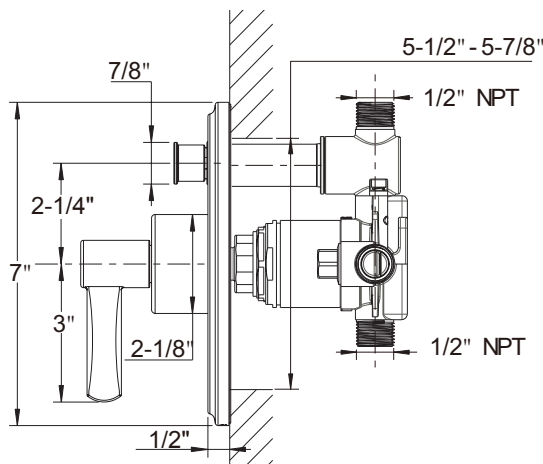
REQUIRED ROUGH

Pressure-balance shower valve with diverter rough
PBTS-RGH \$290



Extension kit:
5T1C0319NT + 5P0C0582NT \$47

See [page 417](#) for detailed information



DARBY PRESSURE-BALANCE SHOWER SET TRIM

Set includes pressure-balance shower valve trim with lever handle and shower head with arm and flange

Shower head features adjustable five-function spray

Shower head flow rate: 1.75 or 2.0 GPM

Kerox pressure-balance cartridge

Pressure-balance cartridge maintains constant temperature in response to changes to hot and cold supply

Rough flow rate: 3-5 GPM at 45 PSI

Massachusetts code approved, IAPMO listed & WaterSense compliant (2.0 GPM only)

Required rough sold separately: PBS-RGH

With 2.0 GPM shower head

Polished Chrome 15-15-T-PC **\$325**

Polished Nickel 15-15-T-PN **\$325**

Satin Nickel 15-15-T-SN **\$325**

To order the 1.75 GPM model, please insert "175-" after the "15-".



REQUIRED ROUGH

Pressure-balance shower valve rough

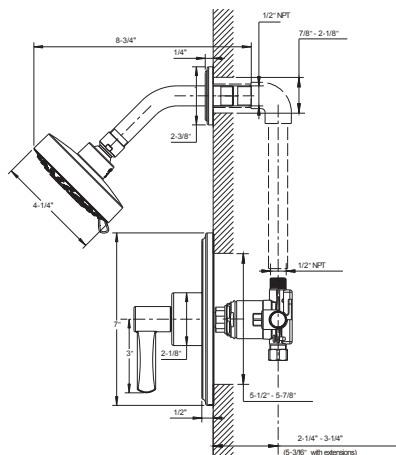
PBS-RGH **\$270**



Extension kit:

5T1C0319NT + 5P0C0582NT **\$47**

See [page 416](#) for detailed information



DARBY PRESSURE-BALANCE TUB AND SHOWER SET TRIM

Set includes pressure-balance shower valve with diverter trim with lever handle, shower head with arm and flange and wall tub spout

Shower head features adjustable five-function spray

Shower head flow rate: 1.75 or 2.0 GPM

Kerox pressure-balance cartridge

Pressure-balance cartridge maintains constant temperature in response to changes to hot and cold supply

Rough flow rate: 3-5 GPM at 45 PSI

Massachusetts code approved, IAPMO listed & WaterSense compliant (2.0 GPM only)

Required rough sold separately: PBTS-RGH



With 2.0 GPM shower head

Polished Chrome	15-14-T-PC	\$475
Polished Nickel	15-14-T-PN	\$475
Satin Nickel	15-14-T-SN	\$475

To order the 1.75 GPM model, please insert "175-" after the "14-".

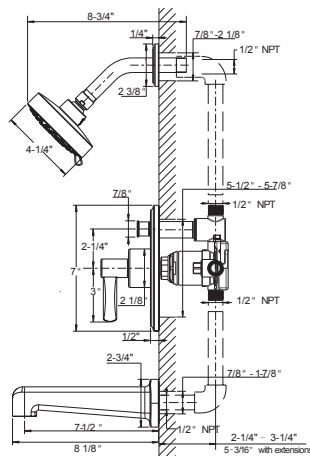
REQUIRED ROUGH

Pressure-balance shower valve with diverter rough
PBTS-RGH \$290



Extension kit:
5T1C0319NT + 5P0C0582NT \$47

See page 417 for detailed information



DARBY DIVERTER TRIM

Trim is compatible with roughs for the two-way and three-way diverters

Diverters alternate water flow between two or three water outlets.

Note: Diverters do not start, stop or control water flow.

Diverters feature Kerox diverter cartridge

Massachusetts code approved & IAPMO listed

Required rough (sold separately):

DIV-RGH - Two-way diverter

or

3DV-RGH - Three-way diverter

Polished Chrome	15-17-T-PC	\$225
Polished Nickel	15-17-T-PN	\$225
Satin Nickel	15-17-T-SN	\$225



REQUIRED ROUGH

3/4" Two-way diverter rough

DIV-RGH \$240

or

1/2" Three-way diverter rough

3DV-RGH \$200



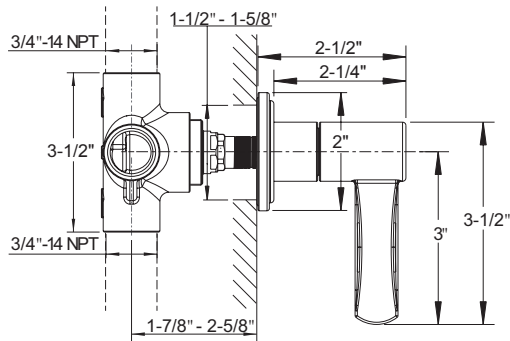
Extension kit:

5T1C0319NT + 5P0C0582NT \$47

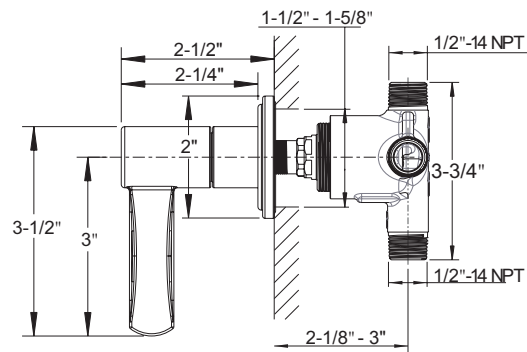
See [page 418](#) for detailed information



With DIV-RGH, 2 function diverter



With 3DV-RGH, 3 function diverter



DARBY SHOWER HEAD WITH ARM AND FLANGE

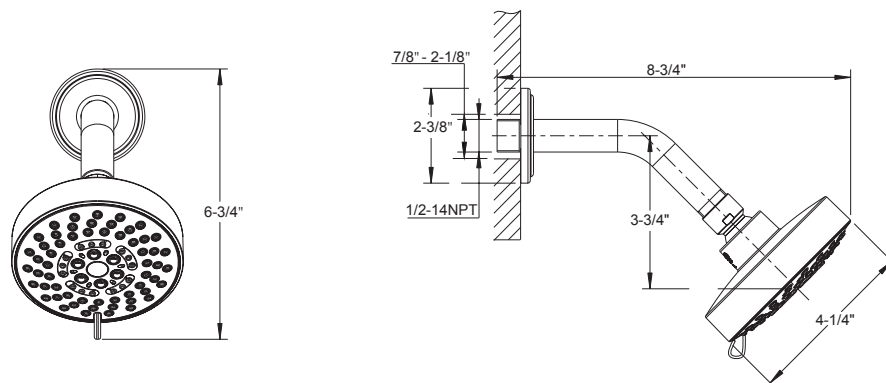
Three spray functions - rain, aerated jet and massage
 4-1/4" diameter
 EasyClean anti-limescale nozzles
 Swivel: Yes
 Flow rate: 1.75 or 2.0 GPM
 Inlet connection: 1/2" NPT male
 IAPMO listed
 Massachusetts code approved
 & WaterSense compliant (2.0 GPM only)
 CEC compliant (1.75 GPM only)

2.0 GPM

Polished Chrome	15-21-PC	\$155
Polished Nickel	15-21-PN	\$155
Satin Nickel	15-21-SN	\$155

1.75 GPM

Polished Chrome	15-22-PC	\$155
Polished Nickel	15-22-PN	\$155
Satin Nickel	15-22-SN	\$155



DARBY HANDSHOWER RAIL SET

Set includes handshower, hose,
slide rail and wall outlet

Dual-function spray: rain and massage

Handshower features EasyClean
anti-limescale nozzles

Handshower includes vacuum
breaker and flow restrictor

26" adjustable bar with bracket

Flow rate: 1.75 or 2.0 GPM

Inlet connection: 1/2" NPT female

Massachusetts code approved &
WaterSense compliant (2.0 GPM only)

IAPMO listed

With 2.0 GPM handshower

Polished Chrome 15-31-PC \$695

Polished Nickel 15-31-PN \$695

Satin Nickel 15-31-SN \$695

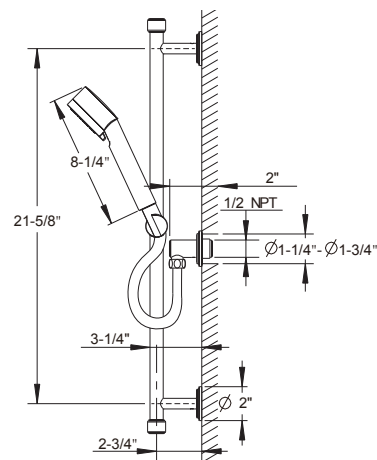
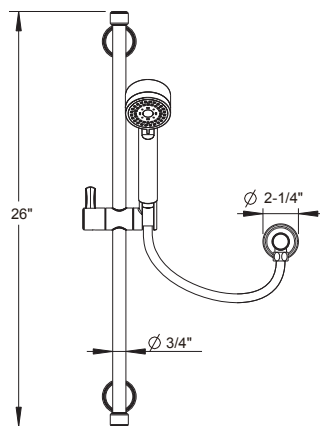
With 1.75 GPM handshower

Polished Chrome 15-30-PC \$695

Polished Nickel 15-30-PN \$695

Satin Nickel 15-30-SN \$695

Note: See page 308 for the 1.75 GPM handshower
supplied with this set.



DARBY HANDSHOWER

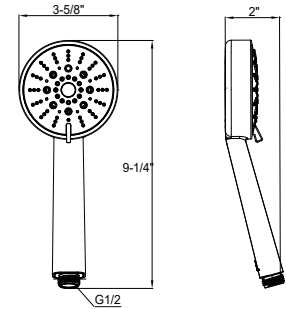
Dual function spray

Handshower features EasyClean anti-limescale nozzles

Handshower includes vacuum breaker and flow restrictor

Maximum flow rate: 1.75 GPM

Massachusetts code approved, IAPMO listed, CEC compliant & WaterSense compliant



Polished Chrome	15-37-PC	\$110
Polished Nickel	15-37-PN	\$110
Satin Nickel	15-37-SN	\$110



59" HANDSHOWER HOSE

Double-spiral brass hose

Length: 59"

1/2" female threads

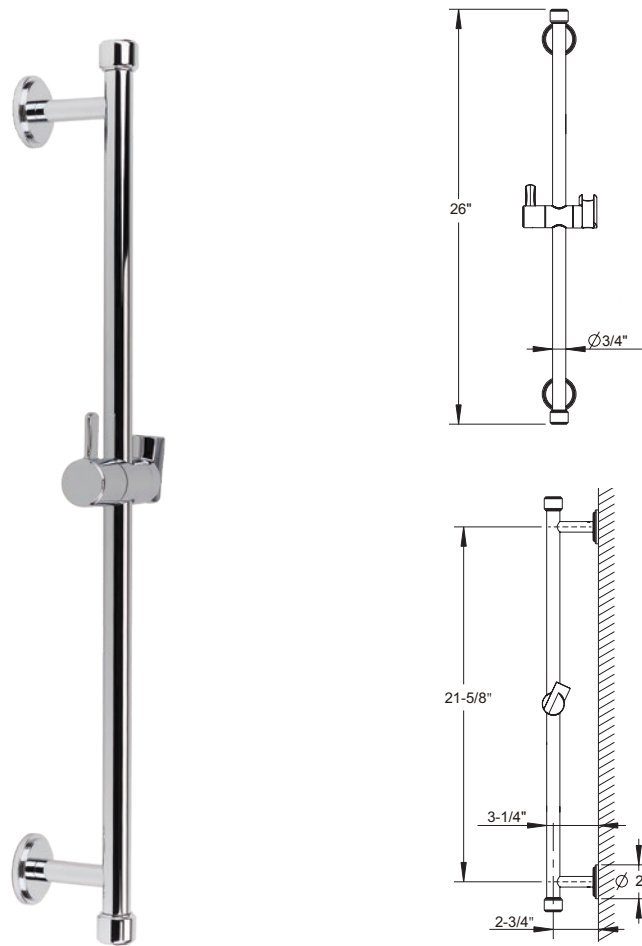


Polished Chrome	9Q242500CP	\$99
Polished Nickel	9Q242500RN	\$99
Satin Nickel	9Q242500AP	\$99

DARBY HANDSHOWER RAIL

26" adjustable bar with bracket

Polished Chrome	15-32-PC	\$455
Polished Nickel	15-32-PN	\$455
Satin Nickel	15-32-SN	\$455



DARBY WALL TUB SPOUT

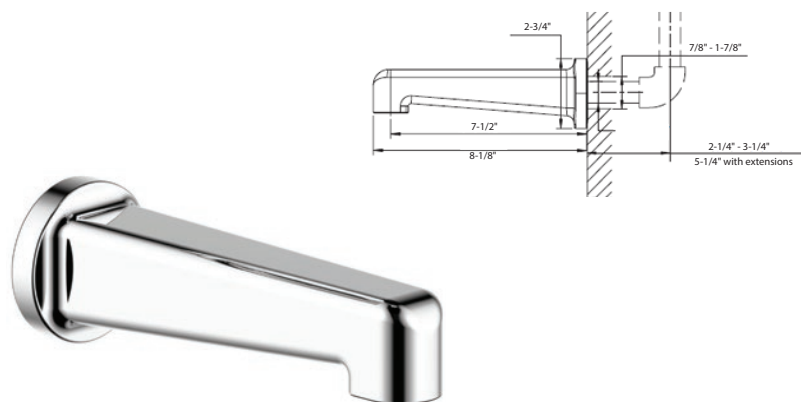
Solid brass

Spout reach: 7-1/2"

Inlet connection: 1/2" NPT female

IAPMO listed

Polished Chrome	15-WTS-PC	\$285
Polished Nickel	15-WTS-PN	\$285
Satin Nickel	15-WTS-SN	\$285



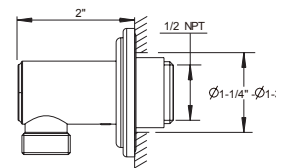
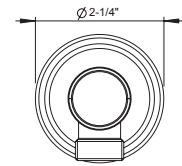
DARBY WALL OUTLET

Includes vacuum breaker

Inlet connection size: 1/2" NPT male

Massachusetts code approved & IAPMO listed

Polished Chrome	15-33-PC	\$175
Polished Nickel	15-33-PN	\$175
Satin Nickel	15-33-SN	\$175



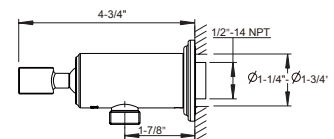
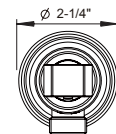
DARBY WALL BRACKET WITH OUTLET

Includes vacuum breaker

Inlet connection size: 1/2" NPT male

Massachusetts code approved & IAPMO listed

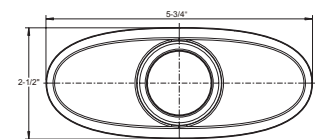
Polished Chrome	15-35-PC	\$195
Polished Nickel	15-35-PN	\$195
Satin Nickel	15-35-SN	\$195



COVER PLATE

4" centerset cover plate

Polished Chrome	9Q1168CP-PC	\$39
Polished Nickel	9Q1168RN-PN	\$39
Satin Nickel	9Q1168AP-SN	\$39



DARBY PAPER HOLDER

Polished Chrome	15-59-PC	\$115
Polished Nickel	15-59-PN	\$115
Satin Nickel	15-59-SN	\$115

**DARBY ROBE HOOK**

Polished Chrome	15-51-PC	\$65
Polished Nickel	15-51-PN	\$65
Satin Nickel	15-51-SN	\$65

**DARBY TOWEL RING**

Polished Chrome	15-55-PC	\$125
Polished Nickel	15-55-PN	\$125
Satin Nickel	15-55-SN	\$125

**DARBY 18" TOWEL BAR**

Polished Chrome	15-65-PC	\$135
Polished Nickel	15-65-PN	\$135
Satin Nickel	15-65-SN	\$135

Note: Bar cannot be cut

**DARBY 24" TOWEL BAR**

Polished Chrome	15-66-PC	\$155
Polished Nickel	15-66-PN	\$155
Satin Nickel	15-66-SN	\$155

Note: Bar cannot be cut





Darby Widespread Basin Faucet in Polished Nickel (15-08-PN)

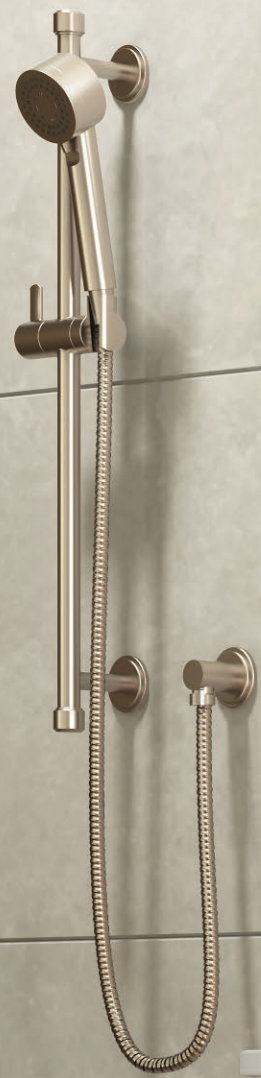
MPRO 39" Vanity in American Walnut (US-PRO393AW)

Darby Towel Ring in Polished Nickel (15-55-PN)



Darby Robe Hook in Satin Nickel
(15-51-SN)

- Darby Floor-mount Tub Filler in Polished Nickel (15-05-PN)
- Darby Thermostatic Valve Trim in Polished Nickel (15-16-T-PN)
- Darby Robe Hook in Polished Nickel (15-51-PN)
- Darby Handshower Rail Set in Polished Nickel (15-30-PN)





ARTISTS HO
GILES

DARBY



Taos Widespread Basin Faucets in Matte Black (17-08-MB)

MPRO 28" Basin (US-PRO283)

Taos Paper Holder/Towel Ring in Matte Black (17-58-MB)

TAOS

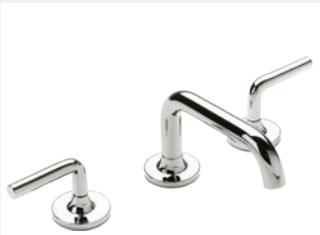


ESSENTIAL. PURE. FORM.

Inspired by the mid-century modern classic, Eero Saarinen's Tulip table, Taos embodies a simplistic and organic elegance. With arching, structural curves and clean lines, Taos takes center stage with a heightened yet soft aesthetic.



AVAILABLE FINISHES



Polished Chrome



Polished Nickel



Satin Nickel



Matte Black

TAOS SINGLE-HOLE BASIN FAUCET

Solid brass construction

Kerox ceramic disc cartridge

Push drain assembly included

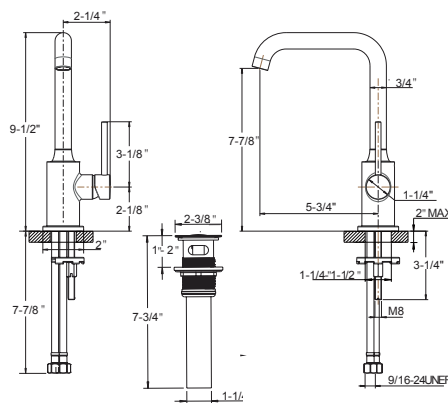
Spout reach: 5-3/4"

Spout swivel: No

4" cover plate available (sold separately)

Massachusetts code approved,
IAPMO listed & WaterSense compliant

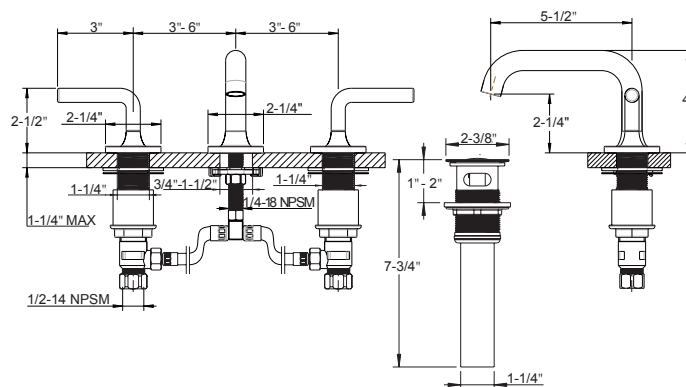
Polished Chrome	17-01-PC	\$425
Polished Nickel	17-01-PN	\$425
Satin Nickel	17-01-SN	\$425
Matte Black	17-01-MB	\$425



TAOS WIDESPREAD BASIN FAUCET

- Solid brass construction
- Flühs quarter-turn ceramic disc cartridges
- Push drain assembly included
- Spout reach: 5-1/2"
- Spout swivel: No
- Massachusetts code approved,
IAPMO listed & WaterSense compliant

Polished Chrome	17-08-PC	\$495
Polished Nickel	17-08-PN	\$495
Satin Nickel	17-08-SN	\$495
Matte Black	17-08-MB	\$495



TAOS DECK-MOUNT TUB FAUCET WITH HANDSHOWER TRIM

- Solid brass construction
 - Flühs quarter-turn ceramic disc cartridges
 - Single-function handshower with vacuum breaker and 60" hose
 - Spout reach: 9"
 - Spout swivel: No
 - Tub filler flow rate: 11 GPM
 - Handshower flow rate: 1.75 or 2.5 GPM
 - Massachusetts code approved & IAPMO listed (2.5 GPM only)
- Required rough sold separately: DTHS-S-RGH**

With 2.5 GPM handshower
Note: discontinued when sold through

Polished Chrome	17-03-T-PC	\$1360
Polished Nickel	17-03-T-PN	\$1360
Satin Nickel	17-03-T-SN	\$1360

With 1.75 GPM handshower

Polished Chrome	17-03-T-175-PC	\$1395
Polished Nickel	17-03-T-175-PN	\$1395
Satin Nickel	17-03-T-175-SN	\$1395

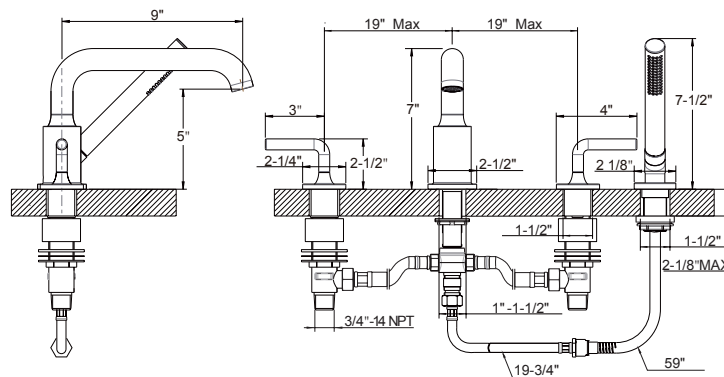


REQUIRED ROUGH

Deck tub set with handshower rough
DTHS-S-RGH \$430



See [page 419](#) for detailed information



TAOS FLOOR-MOUNT TUB FILLER WITH HANDSHOWER

- Solid brass construction
- Kerox ceramic disc cartridge
- Single-function handshower with vacuum breaker and 60" hose
- Spout reach: 9"
- Height to spout: 33-3/4" - 35-7/8"
- Spout swivel: Yes
- Tub filler flow rate: 7 GPM
- Handshower flow rate: 1.75 or 2.5 GPM
- Massachusetts code approved & IAPMO listed (2.5 GPM only)
- Rough included



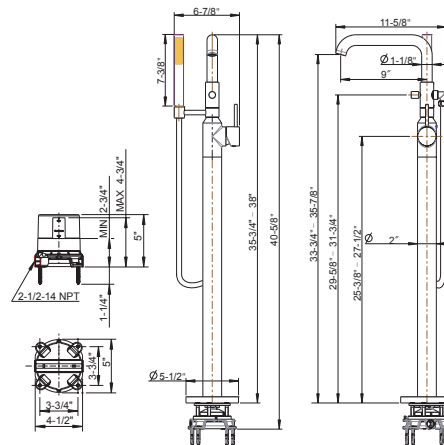
With 2.5 GPM handshower

Note: discontinued when sold through

Polished Chrome	17-05-PC	\$1660
Polished Nickel	17-05-PN	\$1660
Satin Nickel	17-05-SN	\$1660
Matte Black	17-05-MB	\$1660

With 1.75 GPM handshower

Polished Chrome	17-05-175-PC	\$1695
Polished Nickel	17-05-175-PN	\$1695
Satin Nickel	17-05-175-SN	\$1695
Matte Black	17-05-175-MB	\$1695



TAOS THERMOSTATIC VALVE TRIM

Temperature control only;
volume control(s) sold separately

Required rough features Vernet thermostatic cartridge

The thermostatic valve senses and controls the actual water temperature and blends hot water with cold water to ensure constant, safe temperatures, preventing scalding.

Integral shut-off return valve with filters to prevent cross flow

Flow rate: 12 GPM at 45 PSI

Massachusetts code approved & IAPMO listed

Required rough sold separately: TH-RGH

Polished Chrome	17-16-T-PC	\$325
Polished Nickel	17-16-T-PN	\$325
Satin Nickel	17-16-T-SN	\$325
Matte Black	17-16-T-MB	\$325

TEMPERATURE CONTROL ONLY

This valve is a mixer only and requires separate volume control(s).

See [page 418](#) for detailed information



REQUIRED ROUGH

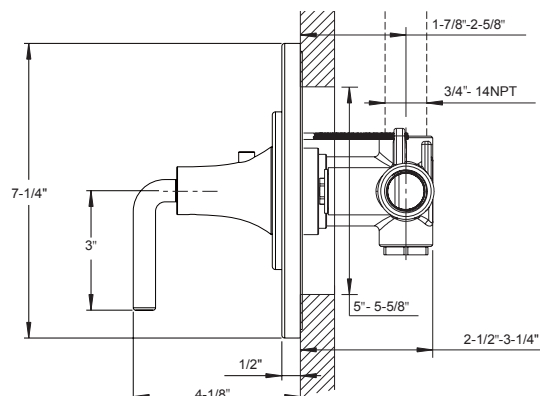
3/4" thermostatic valve rough
TH-RGH **\$400**



Extension kit:

Polished Chrome	9Q1172CP-PC	\$120
Polished Nickel	9Q1172RN-PN	\$120
Satin Nickel	9Q1172AP-SN	\$120
Matte Black	9Q1172MB	\$120

See [page 415](#) for detailed information



TAOS VOLUME CONTROL TRIM

Trim is compatible with roughs for the volume control

Volume control controls on/off and volume functions for a single component in a shower system

Volume control features Flühs quarter-turn ceramic disc cartridge

Massachusetts code approved & IAPMO listed

Required rough (sold separately):

VC-RGH - Volume control

Polished Chrome	17-17-T-PC	\$225
Polished Nickel	17-17-T-PN	\$225
Satin Nickel	17-17-T-SN	\$225
Matte Black	17-17-T-MB	\$225



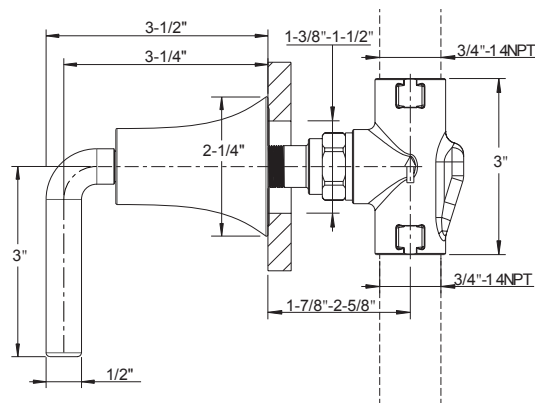
REQUIRED ROUGH

3/4" Volume control rough
VC-RGH **\$120**



Extension kit:
5T1C0319NT + 5P0C0582NT **\$47**

See [page 418](#) for detailed information



TAOS DUAL-CONTROL THERMOSTATIC VALVE TRIM WITH VOLUME CONTROL

Single integrated volume control for 1 water outlet

Required rough features Vernet thermostatic cartridge and Flühs volume control cartridge

The thermostatic valve senses and controls the actual water temperature and blends hot water with cold water to ensure constant, safe temperatures, preventing scalding.

Integral shut-off return valve with filters to prevent cross flow

Flow rate: 10-12 GPM at 45 PSI

Massachusetts code approved & IAPMO listed

Required rough sold separately: TH1-RGH

Polished Chrome	17-19-T-PC	\$445
Polished Nickel	17-19-T-PN	\$445
Satin Nickel	17-19-T-SN	\$445
Matte Black	Not available	

REQUIRED ROUGH

Dual-control thermostatic valve rough
TH1-RGH \$400



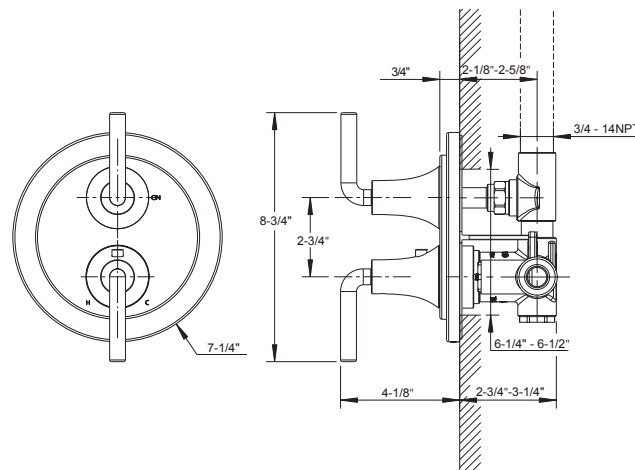
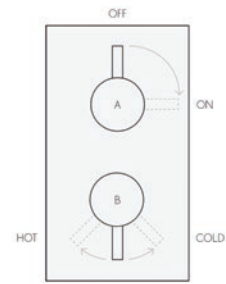
Extension kit:

Polished Chrome	9Q242000CP	\$215
Polished Nickel	9Q242000RN	\$215
Satin Nickel	9Q242000AP	\$215

See [page 413](#) for detailed information

1FUNCTION

A - Volume control
B - Temperature



TAOS DUAL-CONTROL THERMOSTATIC VALVE TRIM WITH VOLUME CONTROL AND DIVERTER

Integrated volume control/diverter for 2 water outlets

Required rough features Vernet thermostatic cartridge

The thermostatic valve senses and controls the actual water temperature and blends hot water with cold water to ensure constant, safe temperatures, preventing scalding.

Integral shut-off return valve with filters to prevent cross flow

Flow rate: 12 GPM at 45 PSI

Massachusetts code approved & IAPMO listed

Required rough sold separately: TH2-RGH

Polished Chrome	17-20-T-PC	\$445
Polished Nickel	17-20-T-PN	\$445
Satin Nickel	17-20-T-SN	\$445
Matte Black	17-20-T-MB	\$445

REQUIRED ROUGH

Dual-control thermostatic valve rough
TH2-RGH \$520



Extension kit:

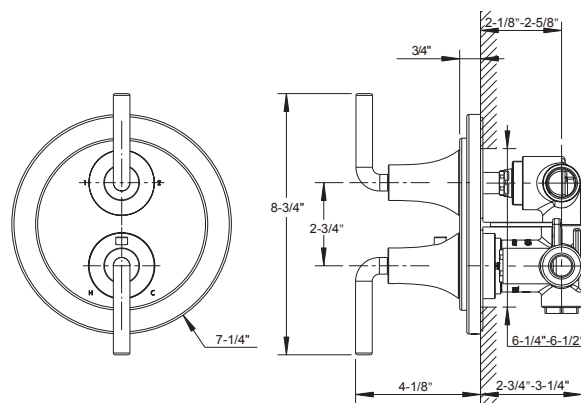
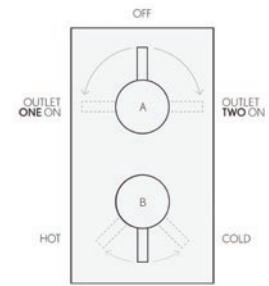
Polished Chrome	9Q242000CP	\$215
Polished Nickel	9Q242000RN	\$215
Satin Nickel	9Q242000AP	\$215
Matte Black	9Q242000MB	\$215

See page 414 for detailed information

2 FUNCTIONS, NON-SHARED

A - Volume control / two-way diverter

B - Temperature



TAOS PRESSURE-BALANCE VALVE TRIM

One water outlet
 Kerox pressure-balance cartridge
 Pressure-balance cartridge maintains constant temperature in response to changes to hot and cold supply
 Flow rate: 3-5 GPM at 45 PSI
 Massachusetts code approved & IAPMO listed
Required rough sold separately: PBS-RGH


1 FUNCTION
 with temperature control

Polished Chrome	17-15P-T-PC	\$225
Polished Nickel	17-15P-T-PN	\$225
Satin Nickel	17-15P-T-SN	\$225
Matte Black	17-15P-T-MB	\$225



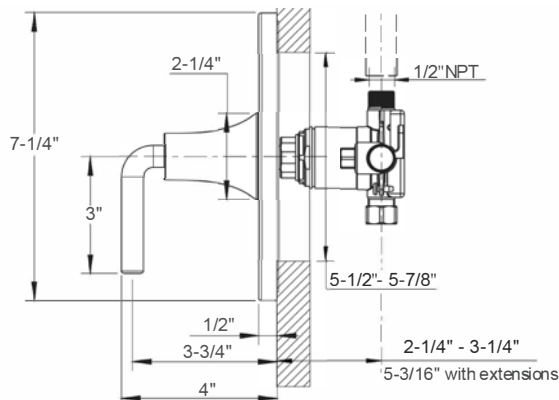
REQUIRED ROUGH

Pressure-balance shower valve rough
PBS-RGH \$270



Extension kit:
5T1C0319NT + 5P0C0582NT \$47

See [page 416](#) for detailed information



TAOS PRESSURE-BALANCE VALVE WITH DIVERTER TRIM

Two water outlets

Diverter alternates water flow between 2 outlets: tub spout/shower head, tub spout/handshower or shower head/handshower

Kerox pressure-balance cartridge

Pressure-balance cartridge maintains constant temperature in response to changes to hot and cold supply

Flow rate: 3-5 GPM at 45 PSI

Massachusetts code approved & IAPMO listed

Required rough sold separately: PBTS-RGH

**2 FUNCTIONS,
NON-SHARED**

- Two-way diverter
- Temperature

Polished Chrome	17-14P-T-PC	\$245
Polished Nickel	17-14P-T-PN	\$245
Satin Nickel	17-14P-T-SN	\$245
Matte Black	17-14P-T-MB	\$245



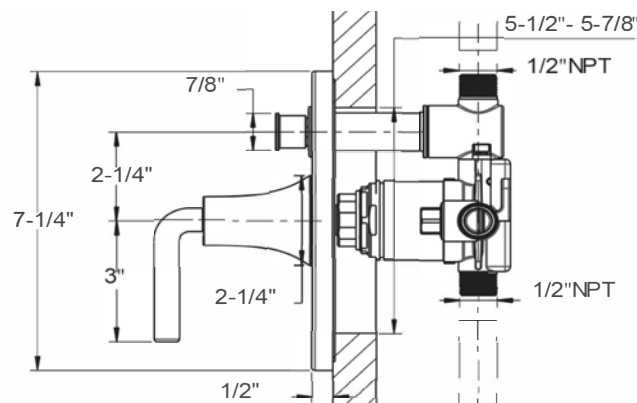
REQUIRED ROUGH

Pressure-balance shower valve with diverter rough
PBTS-RGH \$290



Extension kit:
5T1C0319NT + 5P0C0582NT \$47

See [page 417](#) for detailed information



TAOS PRESSURE-BALANCE SHOWER SET TRIM

Set includes pressure-balance shower valve trim with lever handle and shower head with arm and flange

Shower head features adjustable five-function spray

Shower head flow rate: 1.75 or 2.0 GPM

Kerox pressure-balance cartridge

Pressure-balance cartridge maintains constant temperature in response to changes to hot and cold supply

Rough flow rate: 3-5 GPM at 45 PSI

Massachusetts code approved, IAPMO listed & WaterSense compliant (2.0 GPM only)

Required rough sold separately: PBS-RGH

With 2.0 GPM shower head

Polished Chrome	17-15-T-PC	\$325
Polished Nickel	17-15-T-PN	\$325
Satin Nickel	17-15-T-SN	\$325
Matte Black	17-15-T-MB	\$325

To order the 1.75 GPM model, please insert "175-" after the "15-".



REQUIRED ROUGH

Pressure-balance shower valve rough

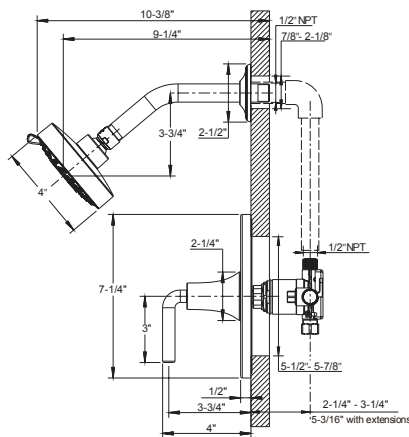
PBS-RGH \$270



Extension kit:

5T1C0319NT + 5P0C0582NT \$47

See page 416 for detailed information



TAOS PRESSURE-BALANCE TUB AND SHOWER SET TRIM

Set includes pressure-balance shower valve with diverter trim with lever handle, shower head with arm and flange and wall tub spout

Shower head features adjustable five-function spray

Shower head flow rate: 1.75 or 2.0 GPM

Kerox pressure-balance cartridge

Pressure-balance cartridge maintains constant temperature in response to changes to hot and cold supply

Rough flow rate: 3-5 GPM at 45 PSI

Massachusetts code approved, IAPMO listed & WaterSense compliant (2.0 GPM only)

Required rough sold separately: PBTS-RGH

With 2.0 GPM shower head

Polished Chrome	17-14-T-PC	\$395
Polished Nickel	17-14-T-PN	\$395
Satin Nickel	17-14-T-SN	\$395
Matte Black	17-14-T-MB	\$395

To order the 1.75 GPM model, please insert "175-" after the "14-".



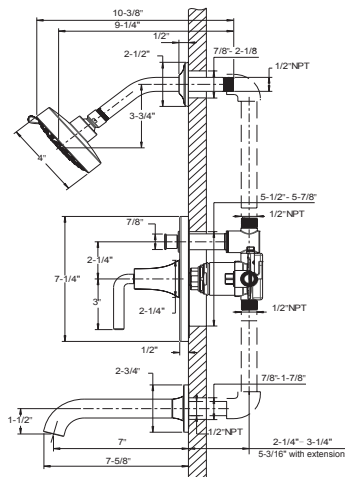
REQUIRED ROUGH

Pressure-balance shower valve with diverter rough
PBTS-RGH \$290



Extension kit:
5T1C0319NT + 5P0C0582NT \$47

See page 417 for detailed information



TAOS DIVERTER TRIM

Trim is compatible with roughs for the two-way and three-way diverters

Diverters alternate water flow between two or three water outlets.

Note: Diverters do not start, stop or control water flow

Diverters feature Kerox diverter cartridge

Massachusetts code approved & IAPMO listed

Required rough (sold separately):

DIV-RGH - Two-way diverter

or

3DV-RGH - Three-way diverter

Polished Chrome	17-17-T-PC	\$225
Polished Nickel	17-17-T-PN	\$225
Satin Nickel	17-17-T-SN	\$225
Matte Black	17-17-T-MB	\$225



REQUIRED ROUGH

3/4" Two-way diverter rough

DIV-RGH \$240

or

1/2" Three-way diverter rough

3DV-RGH \$200



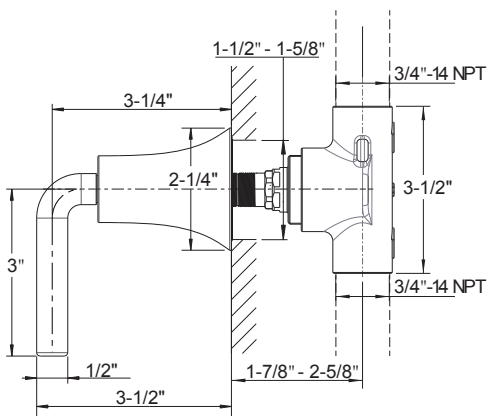
Extension kit:

5T1C0319NT + 5P0C0582NT \$47

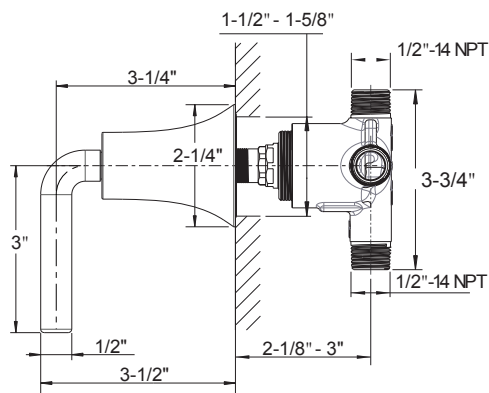
See page 418 for detailed information



With DIV-RGH, 2 function diverter



With 3DV-RGH, 3 function diverter



TAOS SHOWER HEAD WITH ARM AND FLANGE

Three spray functions - rain, aerated jet and massage

4" diameter

EasyClean anti-limescale nozzles

Swivel: Yes

Flow rate: 1.75 or 2.0 GPM

Inlet connection: 1/2" NPT male

IAPMO listed, Massachusetts code approved,
& WaterSense compliant (2.0 GPM only)

CEC compliant (1.75 GPM only)

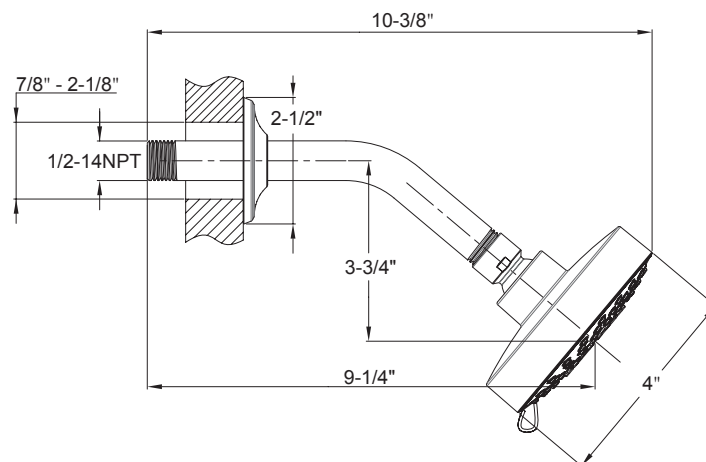


2.0 GPM

Polished Chrome	17-21-PC	\$155
Polished Nickel	17-21-PN	\$155
Satin Nickel	17-21-SN	\$155
Matte black	17-21-MB	\$155

1.75 GPM

Polished Chrome	17-22-PC	\$155
Polished Nickel	17-22-PN	\$155
Satin Nickel	17-22-SN	\$155
Matte black	17-22-MB	\$155



TAOS HANDSHOWER RAIL SET

Set includes handshower, hose, slide rail and wall outlet

Single-function spray: rain

Handshower features EasyClean anti-limescale nozzles

Handshower includes vacuum breaker and flow restrictor

24" adjustable bar with bracket

Flow rate: 1.75 or 2.5 GPM

Inlet connection: 1/2" NPT or 3/4" NPT (adapter included)

Massachusetts code approved (2.5 GPM only)

IAPMO listed



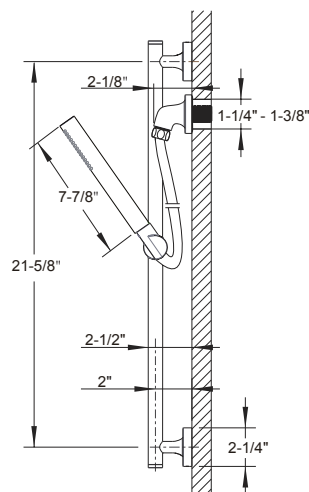
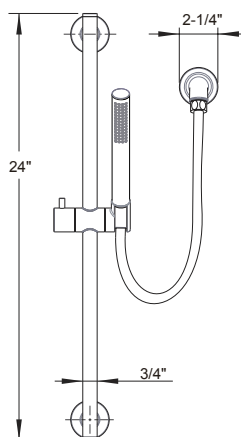
With 2.5 GPM handshower

Note: discontinued when sold through

Polished Chrome	17-31-PC	\$660
Polished Nickel	17-31-PN	\$660
Satin Nickel	17-31-SN	\$660
Matte Black	17-31-MB	\$660

With 1.75 GPM handshower

Polished Chrome	17-30-PC	\$695
Polished Nickel	17-30-PN	\$695
Satin Nickel	17-30-SN	\$695
Matte Black	17-30-MB	\$695



MODERN HANDSHOWER

Single spray

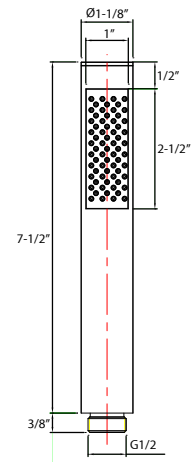
Handshower features EasyClean anti-limescale nozzles

Handshower includes vacuum breaker and flow restrictor

Flow rate: 1.75 GPM

Massachusetts code approved, IAPMO listed & CEC compliant

Polished Chrome	US-SH965C	\$95
Polished Nickel	US-SH965N	\$115
Satin Nickel	US-SH965V	\$145
Matte Black	US-SH965MB	\$125



59" HANDSHOWER HOSE

Double-spiral brass hose

Length: 59"

1/2" female threads

IAPMO listed (US-SH970 only)

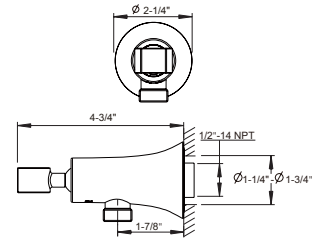
Polished Chrome	9Q242500CP	\$99
Polished Nickel	9Q242500RN	\$99
Satin Nickel	9Q242500AP	\$99
Matte Black	US-SH970MB	\$125



TAOS WALL BRACKET WITH OUTLET

Includes vacuum breaker
 Inlet connection size: 1/2" NPT male
 IAPMO listed

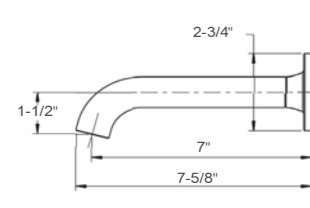
Polished Chrome	17-35-PC	\$195
Polished Nickel	17-35-PN	\$195
Satin Nickel	17-35-SN	\$195
Matte Black	17-35-MB	\$195



TAOS WALL TUB SPOUT

Solid brass
 Spout reach: 7"
 Inlet connection size: 1/2" NPT

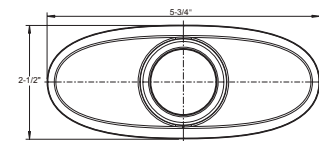
Polished Chrome	17-WTS-PC	\$215
Polished Nickel	17-WTS-PN	\$215
Satin Nickel	17-WTS-SN	\$215
Matte Black	17-WTS-MB	\$215



COVER PLATE

4" centerset cover plate

Polished Chrome	9Q1168CP-PC	\$39
Polished Nickel	9Q1168RN-PN	\$39
Satin Nickel	9Q1168AP-SN	\$39



TAOS PAPER HOLDER / TOWEL RING

Polished Chrome	17-58-PC	\$95
Polished Nickel	17-58-PN	\$95
Satin Nickel	17-58-SN	\$95
Matte Black	17-58-MB	\$95



TAOS ROBE HOOK

Polished Chrome	17-51-PC	\$65
Polished Nickel	17-51-PN	\$65
Satin Nickel	17-51-SN	\$65
Matte Black	17-51-MB	\$65



TAOS 18" TOWEL BAR

Polished Chrome	17-65-PC	\$115
Polished Nickel	17-65-PN	\$115
Satin Nickel	17-65-SN	\$115
Matte Black	17-65-MB	\$115



Note: Bar cannot be cut

TAOS 24" TOWEL BAR

Polished Chrome	17-66-PC	\$135
Polished Nickel	17-66-PN	\$135
Satin Nickel	17-66-SN	\$135
Matte Black	17-66-MB	\$135



Note: Bar cannot be cut



Taos Floor-mount Tub Filler in Matte Black (17-05-MB)



Taos Widespread Basin Faucet in Satin Nickel (17-08-SN)
MPRO 39" Basin and Vanity in Driftwood (US-PRO393DW)



Taos Handshower Rail Set in Matte Black (17-31-MB)
Taos Pressure-Balance Valve With Diverter Trim in Matte Black
(17-14P-T-MB)
Taos Shower Head With Arm and Flange in Matte Black
(17-21-MB)



Taos Widespread Basin Faucets in Polished Nickel (17-08-PN)
MPRO 28" Basins (US-PRO393)
Taos Paper Holder / Towel Ring in Polished Nickel (17-58-PN)





MPRO Towel Holder in Polished Chrome (US-PRO013C)

ACCESSORIES



UNITING FORM AND FUNCTION
TO COMPLETE THE BATHROOM
DESIGN OF YOUR DREAMS.

Belgravia Accessories

BELGRAVIA PAPER HOLDER

Polished Chrome	US-BL029C	\$95
Polished Nickel	US-BL029N	\$105

**BELGRAVIA ROBE HOOK**

Polished Chrome	US-BL022C	\$65
Polished Nickel	US-BL022N	\$75

**BELGRAVIA TOWEL RING**

Polished Chrome	US-BL013C	\$95
Polished Nickel	US-BL013N	\$115

**BELGRAVIA 24" TOWEL BAR**

Polished Chrome	US-BL023C	\$165
Polished Nickel	US-BL023N	\$225



Note: Bar cannot be cut

BEREA PAPER HOLDER / TOWEL RING

Polished Chrome	11-58-PC	\$95
Polished Nickel	11-58-PN	\$95
Satin Nickel	11-58-SN	\$95

**BEREA ROBE HOOK**

Polished Chrome	11-51-PC	\$65
Polished Nickel	11-51-PN	\$65
Satin Nickel	11-51-SN	\$65

**BEREA 18" TOWEL BAR**

Polished Chrome	11-65-PC	\$115
Polished Nickel	11-65-PN	\$115
Satin Nickel	11-65-SN	\$115

**BEREA 24" TOWEL BAR**

Polished Chrome	11-66-PC	\$135
Polished Nickel	11-66-PN	\$135
Satin Nickel	11-66-SN	\$135



Darby Accessories

DARBY PAPER HOLDER

Polished Chrome	15-59-PC	\$115
Polished Nickel	15-59-PN	\$115
Satin Nickel	15-59-SN	\$115

**DARBY ROBE HOOK**

Polished Chrome	15-51-PC	\$65
Polished Nickel	15-51-PN	\$65
Satin Nickel	15-51-SN	\$65

**DARBY TOWEL RING**

Polished Chrome	15-55-PC	\$125
Polished Nickel	15-55-PN	\$125
Satin Nickel	15-55-SN	\$125

**DARBY 18" TOWEL BAR**

Polished Chrome	15-65-PC	\$135
Polished Nickel	15-65-PN	\$135
Satin Nickel	15-65-SN	\$135

Note: Bar cannot be cut

**DARBY 24" TOWEL BAR**

Polished Chrome	15-66-PC	\$155
Polished Nickel	15-66-PN	\$155
Satin Nickel	15-66-SN	\$155

Note: Bar cannot be cut



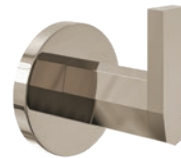
HEIR PAPER HOLDER

Brushed Brass	18-58-BB	\$175
Polished Nickel	18-58-PN	\$175



HEIR ROBE HOOK

Brushed Brass	18-51-BB	\$125
Polished Nickel	18-51-PN	\$125



HEIR TOWEL RING

Brushed Brass	18-55-BB	\$175
Polished Nickel	18-55-PN	\$175



HEIR 24" TOWEL BAR

Brushed Brass	18-66-BB	\$355
Polished Nickel	18-66-PN	\$355



Leyden Accessories

LEYDEN PAPER HOLDER / TOWEL RING

Polished Chrome	14-58-PC	\$95
Polished Nickel	14-58-PN	\$95
Satin Nickel	14-58-SN	\$95



LEYDEN ROBE HOOK

Polished Chrome	14-51-PC	\$65
Polished Nickel	14-51-PN	\$65
Satin Nickel	14-51-SN	\$65



LEYDEN 18" TOWEL BAR

Polished Chrome	14-65-PC	\$115
Polished Nickel	14-65-PN	\$115
Satin Nickel	14-65-SN	\$115



LEYDEN 24" TOWEL BAR

Polished Chrome	14-66-PC	\$135
Polished Nickel	14-66-PN	\$135
Satin Nickel	14-66-SN	\$135



MPRO PAPER HOLDER

Polished Chrome	US-PRO029C	\$95
Matte Black	US-PRO029MB	\$125
Brushed Brass	US-PRO029BB	\$135
Satin Nickel	US-PRO029V	\$135

**MPRO ROBE HOOK**

Polished Chrome	US-PRO021C	\$45
Matte Black	US-PRO021MB	\$65
Brushed Brass	US-PRO021BB	\$75
Satin Nickel	US-PRO021V	\$75

**MPRO TOWEL HOLDER**

Polished Chrome	US-PRO013C	\$105
Matte Black	US-PRO013MB	\$145
Brushed Brass	US-PRO013BB	\$165
Satin Nickel	US-PRO013V	\$165

**MPRO 23" TOWEL BAR**

Polished Chrome	US-PRO024C	\$145
Matte Black	US-PRO024MB	\$195
Brushed Brass	US-PRO024BB	\$215
Satin Nickel	US-PRO024V	\$215



Taos Accessories

TAOS PAPER HOLDER / TOWEL RING

Polished Chrome	17-58-PC	\$95
Polished Nickel	17-58-PN	\$95
Satin Nickel	17-58-SN	\$95
Matte Black	17-58-MB	\$95



TAOS ROBE HOOK

Polished Chrome	17-51-PC	\$65
Polished Nickel	17-51-PN	\$65
Satin Nickel	17-51-SN	\$65
Matte Black	17-51-MB	\$65



TAOS 18" TOWEL BAR

Polished Chrome	17-65-PC	\$115
Polished Nickel	17-65-PN	\$115
Satin Nickel	17-65-SN	\$115
Matte Black	17-65-MB	\$115



Note: Bar cannot be cut

TAOS 24" TOWEL BAR

Polished Chrome	17-66-PC	\$135
Polished Nickel	17-66-PN	\$135
Satin Nickel	17-66-SN	\$135
Matte Black	17-66-MB	\$135



Note: Bar cannot be cut

UNION PAPER HOLDER

Polished Chrome	US-UN029C	\$225
Unlacquered Brass	US-UN029B	\$225
Matte Black	US-UN029MB	\$265*
Brushed Black Chrome	US-UN029BBC	\$285
Brushed Nickel	US-UN029BN	\$285



UNION ROBE HOOK

Polished Chrome	US-UN022C	\$125
Unlacquered Brass	US-UN022B	\$125
Matte Black	US-UN022MB	\$135*
Brushed Black Chrome	US-UN022BBC	\$155
Brushed Nickel	US-UN022BN	\$155



UNION 9" TOWEL HOLDER

Polished Chrome	US-UN013C	\$225
Unlacquered Brass	US-UN013B	\$225
Matte Black	US-UN013MB	\$275*
Brushed Black Chrome	US-UN013BBC	\$295
Brushed Nickel	US-UN013BN	\$295



Note: Bar cannot be cut

UNION 20" TOWEL BAR

Polished Chrome	US-UN023C	\$325
Unlacquered Brass	US-UN023B	\$325
Matte Black	US-UN023MB	\$415*
Brushed Black Chrome	US-UN023BBC	\$425
Brushed Nickel	US-UN023BN	\$425



Note: Bar cannot be cut

***12-WEEK LEADTIME**

Union Accessories

UNION WALL-MOUNT SOAP DISPENSER

Polished Chrome	US-UN011C	\$325
Unlacquered Brass	US-UN011B	\$325
Matte Black	US-UN011MB	\$395*
Brushed Black Chrome	US-UN011BBC	\$425
Brushed Nickel	US-UN011BN	\$425



UNION WALL-MOUNT TOILET BRUSH AND HOLDER

Polished Chrome	US-UN025C	\$635
Unlacquered Brass	US-UN025B	\$635
Matte Black	US-UN025MB	\$795*
Brushed Black Chrome	US-UN025BBC	\$765
Brushed Nickel	US-UN025BN	\$765



*12-WEEK LEADTIME

WALDORF PAPER HOLDER

Polished Chrome	US-WF029C	\$215
Polished Nickel	US-WF029N	\$265

**WALDORF ROBE HOOK**

Polished Chrome	US-WF021C	\$95
Polished Nickel	US-WF021N	\$115

**WALDORF TOWEL RING**

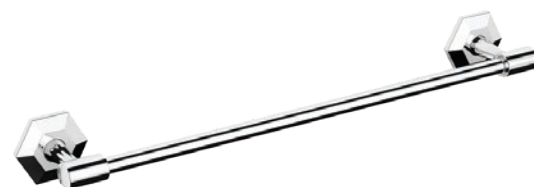
Polished Chrome	US-WF013C	\$135
Polished Nickel	US-WF013N	\$165

**WALDORF 18" TOWEL BAR**

Polished Chrome	US-WF023C	\$265
Polished Nickel	US-WF023N	\$315

**WALDORF 24" TOWEL BAR**

Polished Chrome	US-WF026C	\$275
Polished Nickel	US-WF026N	\$325



Wisp Accessories

WISP PAPER HOLDER

Polished Chrome	US-WP029C	\$165
Satin Nickel	US-WP029V	\$295*



WISP ROBE HOOK

Polished Chrome	US-WP021C	\$65
Satin Nickel	US-WP021V	\$195*



WISP TOWEL HOLDER

Polished Chrome	US-WP013C	\$195
Satin Nickel	US-WP013V	\$295*



WISP 24" TOWEL BAR

Polished Chrome	US-WP023C	\$335
Satin Nickel	US-WP023V	\$395*



*6-WEEK LEADTIME



Taos Robe Hook in Satin Nickel (17-51-SN)



SHOWERING



SOLID BRASS CONSTRUCTION COMBINED WITH EXPERT ENGINEERING

Delivering seamless movement of water in a refined collection. An extensive range of shower heads, shower arms, handsets and hoses ensures the very best in performance and functionality to create a highly luxurious experience that is uniquely tailored to the individual.

Rain heads

INFINITY 15" WATER PANEL

Solid stainless steel

Generous, luxurious Rain spray

144 individual jets

Size: 15" x 15"

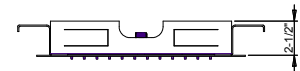
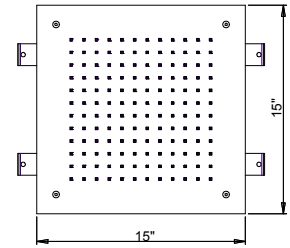
EasyClean anti-limescale nozzles

Maximum flow rate: 2.2 GPM

Inlet connection: G 1/2" (compatible with 1/2" NPT)

CSA listed, Massachusetts code approved

Mirrored Stainless	US-SP380MS	\$2095
Brushed Stainless	US-SP380BS	\$2295
Matte Black	US-SP380MB	\$2295



INFINITY 20" WATER PANEL

Solid stainless steel

Generous, luxurious Rain spray

144 individual jets

Size: 20" x 20"

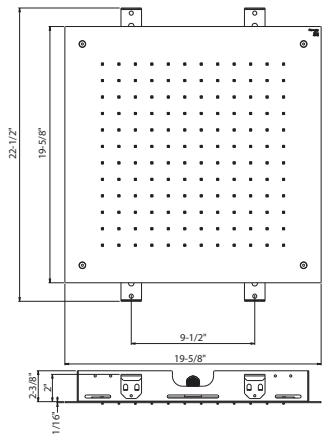
EasyClean anti-limescale nozzles

Flow rate: 2.3 GPM

Inlet connection: G 1/2" (compatible with 1/2" NPT)

CSA listed, Massachusetts code approved

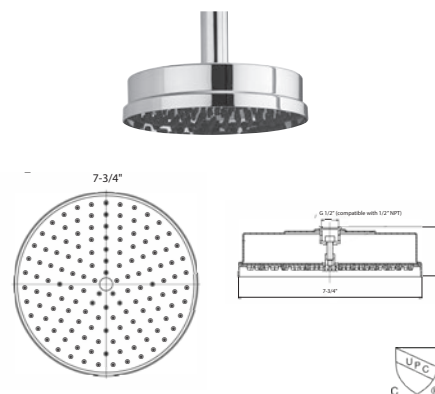
Mirrored Stainless	US-SP500MS	\$2495
Brushed Stainless	US-SP500BS	\$2695
Matte Black	US-SP500MB	\$2695



WALDORF 8" RAIN HEAD

Solid brass
 Single rain spray
 8" diameter
 EasyClean anti-limescale nozzles
 Swivel: No
 Flow rate: 2.5 GPM
 Inlet connection: G 1/2" (compatible with 1/2" NPT)
 Massachusetts code approved & IAPMO listed

Polished Chrome	US-WF08C_EC	\$525
Polished Nickel	US-WF08N_EC	\$575
Satin Nickel	US-WF08S_EC	\$575*
Unlacquered Brass	US-WF08B_EC	\$525*



WALDORF 12" RAIN HEAD

Solid brass
 Single rain spray
 12" diameter
 EasyClean anti-limescale nozzles
 Swivel: No
 Flow rate: 2.5 GPM
 Inlet connection: G 1/2" (compatible with 1/2" NPT)
 Massachusetts code approved & IAPMO listed

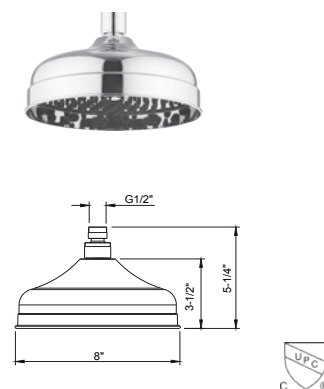
Polished Chrome	US-WF12C	\$775
Polished Nickel	US-WF12N	\$845
Satin Nickel	US-WF12S	\$845*
Unlacquered Brass	US-WF12B	\$775*



BELGRAVIA 8" RAIN HEAD

Solid brass
 Single rain spray
 7-3/4" diameter
 EasyClean anti-limescale nozzles
 Swivel: No
 Flow rate: 2.5 GPM
 Inlet connection: G 1/2" (compatible with 1/2" NPT)
 Massachusetts code approved & IAPMO listed

Polished Chrome	US-FH08C_EC	\$475
Polished Nickel	US-FH08N_EC	\$525
Satin Nickel	US-FH08S_EC	\$565*
Unlacquered Brass	US-FH08B_EC	\$525*



BELGRAVIA 12" RAIN HEAD

Solid brass
 Single rain spray
 11-3/4" diameter
 Swivel: No
 Flow rate: 2.5 GPM
 Inlet connection: G 1/2" (compatible with 1/2" NPT)
 Massachusetts code approved & IAPMO listed

Polished Chrome	US-FH12C	\$655
Polished Nickel	US-FH12N	\$725
Satin Nickel	US-FH12S	\$795*
Unlacquered Brass	US-FH12B	\$725*



*12-WEEK LEADTIME

Rain heads

ARCADE 9" AIR BOOST RAIN HEAD

Featuring air boost technology which infuses the water with air creating droplets that are dense but light and soft, while maintaining superior pressure

Single rain spray

9-1/4" diameter

Swivel: Yes

Flow rate: 1.75 GPM

Inlet connection: G 1/2" (compatible with 1/2" NPT)

Massachusetts code approved & IAPMO listed

Polished Chrome

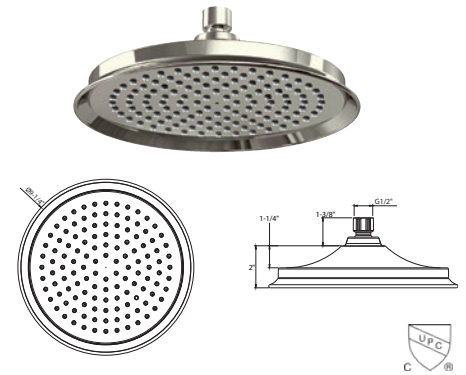
US-ARCV17C

\$225

Polished Nickel

US-ARCV17N

\$275



ARCADE 13" AIR BOOST RAIN HEAD

Featuring air boost technology which infuses the water with air creating droplets that are dense but light and soft, while maintaining superior pressure

Single rain spray

13" diameter

EasyClean anti-limescale nozzles

Swivel: Yes

Flow rate: 1.75 GPM

Inlet connection: G 1/2" (compatible with 1/2" NPT)

Massachusetts code approved & IAPMO listed

Polished Chrome

US-ARCV60C

\$355

Polished Nickel

US-ARCV60N

\$425



MODERN 8" RAIN HEAD

Solid brass

Single rain spray

7-7/8" diameter

EasyClean anti-limescale nozzles

Swivel: Yes

Flow rate: 2.0 GPM

Inlet connection: G 1/2" (compatible with 1/2" NPT)

Massachusetts code approved & IAPMO listed

Polished Chrome

US-PRO200C

\$275

Polished Nickel

US-PRO200N

\$415

Satin Nickel

US-PRO200V

\$415

Matte Black

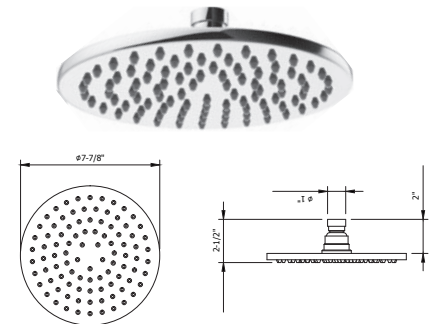
US-PRO200MB

\$415

Brushed Brass

US-PRO200BB

\$545



MODERN 12" RAIN HEAD

Solid brass

Single rain spray

11-3/4" diameter

EasyClean anti-limescale nozzles

Swivel: Yes

Flow rate: 2.5 GPM

Inlet connection: G 1/2" (compatible with 1/2" NPT)

Massachusetts code approved & IAPMO listed

Polished Chrome

US-PRO300C

\$545

Polished Nickel

US-PRO300N

\$765

Satin Nickel

US-PRO300V

\$765

Matte Black

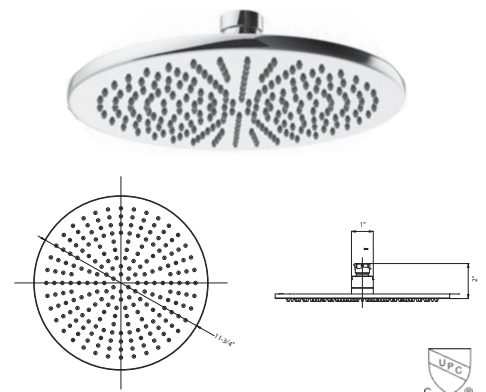
US-PRO300MB

\$765*

Brushed Brass

US-PRO300BB

\$875*

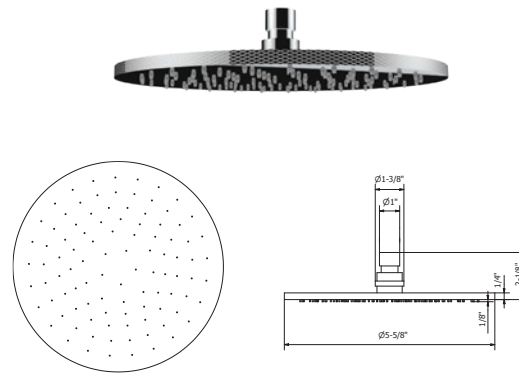


*6-WEEK LEADTIME

UNION 5-5/8" SHOWER HEAD

Solid brass
 Single rain spray
 5-5/8" diameter
 EasyClean anti-limescale nozzles
 Swivel: Yes
 Flow rate: 1.75 GPM
 Inlet connection: G 1/2" (compatible with 1/2" NPT)
 Massachusetts code approved, IAPMO listed,
 CEC compliant & WaterSense compliant

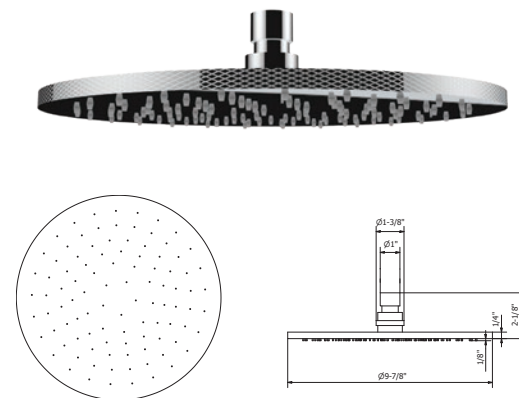
Polished Chrome	US-MA150C	\$625
Brushed Nickel	US-MA150BN	\$835
Brushed Black Chrome	US-MA150BBC	\$835
Unlacquered Brass	US-MA150B	\$625
Matte Black	US-MA150MB	\$785*



UNION 10" SHOWER HEAD

Solid brass
 Single rain spray
 9-7/8" diameter
 EasyClean anti-limescale nozzles
 Swivel: Yes
 Flow rate: 1.75 GPM
 Inlet connection: G 1/2" (compatible with 1/2" NPT)
 Massachusetts code approved, IAPMO listed,
 CEC compliant & WaterSense compliant

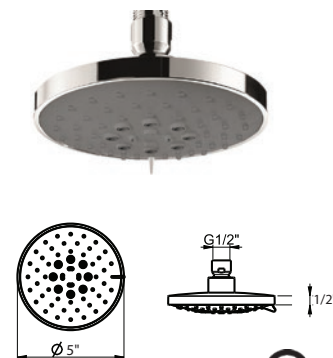
Polished Chrome	US-MA250C	\$675
Brushed Nickel	US-MA250BN	\$925
Brushed Black Chrome	US-MA250BBC	\$925
Unlacquered Brass	US-MA250B	\$675
Matte Black	US-MA250MB	\$855*



CONTOUR 5" SHOWER HEAD

Multi-function spray
 EasyClean anti-limescale nozzles
 5" diameter
 Swivel: Yes
 Flow rate: 1.75 GPM
 Inlet connection: G 1/2" (compatible with 1/2" NPT)
 CSA listed & CEC compliant

Polished Chrome	US-SH038C	\$155
Polished Nickel	US-SH038N	\$205
Satin Nickel	US-SH038S	\$225
Matte Black	US-SH038MB	\$205
Brushed Brass	US-SH038BB	\$315

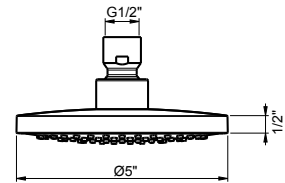


***12-WEEK LEADTIME**

CENTRAL 5" SHOWER HEAD

Single-function spray
 5" diameter
 EasyClean anti-limescale nozzles
 Swivel: Yes
 Flow rate: 1.75 GPM
 Inlet connection: G 1/2" (compatible with 1/2" NPT)
 CSA listed & CEC compliant

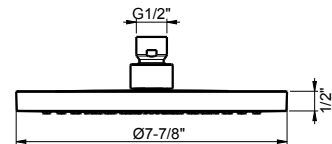
Polished Chrome **US-SH052C** **\$125**
 Satin Nickel **US-SH052S** **\$225**



CENTRAL 8" SHOWER HEAD

Solid Brass
 Single-function spray
 7-7/8" diameter
 EasyClean anti-limescale nozzles
 Swivel: Yes
 Flow rate: 1.75 GPM
 Inlet connection: G 1/2" (compatible with 1/2" NPT)
 CSA listed & CEC compliant

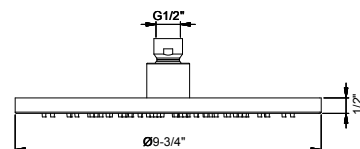
Polished Chrome **US-SH200C** **\$375**
 Polished Nickel **US-SH200N** **\$445**
 Satin Nickel **US-SH200S** **\$525**
 Matte Black **US-SH200MB** **\$445**



CENTRAL 10" SHOWER HEAD

Solid brass
 Single-function spray
 9-7/8" diameter
 EasyClean anti-limescale nozzles
 Swivel: Yes
 Flow rate: 1.75 GPM
 Inlet connection: G 1/2" (compatible with 1/2" NPT)
 CSA listed & CEC compliant

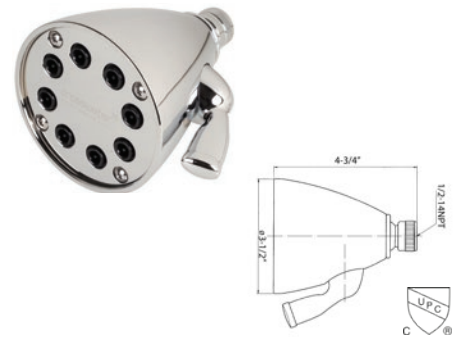
Polished Chrome **US-SH250C** **\$625**
 Polished Nickel **US-SH250N** **\$705**
 Satin Nickel **US-SH250S** **\$765**
 Matte Black **US-SH250MB** **\$705**



ELEMENTS 8-JET SHOWER HEAD

- _____ Solid brass
- _____ Adjustable spray - wide to narrow rain
- _____ 3-1/2" diameter
- _____ Anti-limescale nozzles
- _____ Swivel: Yes
- _____ Flow rate: 1.75 GPM
- _____ Inlet connection: 1/2" NPT
- _____ Massachusetts code approved & IAPMO listed

Polished Chrome	US-SH08C	\$275
Polished Nickel	US-SH08N	\$325
Satin Nickel	US-SH08S	\$375
Matte Black	US-SH08MB	\$375
Brushed Nickel	US-SH08BN	\$395*
Brushed Black Chrome	US-SH08BBC	\$395*
Unlacquered Brass	US-SH08B	\$275
Brushed Brass	US-SH08BB	\$395*



BEREA SHOWER HEAD WITH ARM AND FLANGE

- _____ Includes head, arm and flange
- _____ Three spray functions - Rain, aerated jet and massage
- _____ 4-1/4" diameter
- _____ EasyClean anti-limescale nozzles
- _____ Swivel: Yes
- _____ Flow rate: 1.75 or 2.0 GPM
- _____ Inlet connection: 1/2" NPT male
- _____ IAPMO listed, Massachusetts code approved & WaterSense compliant (2.0 GPM only)
- _____ IAPMO listed & CEC compliant (1.75 GPM only)

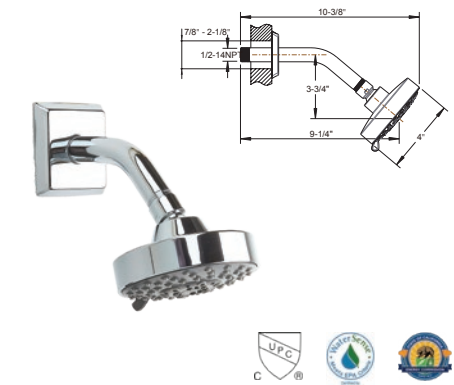
2.0 GPM			
Polished Chrome	11-21-PC	\$155	
Polished Nickel	11-21-PN	\$155	
Satin Nickel	11-21-SN	\$155	
1.75 GPM			
Polished Chrome	11-22-PC	\$155	
Polished Nickel	11-22-PN	\$155	
Satin Nickel	11-22-SN	\$155	



LEYDEN SHOWER HEAD WITH ARM AND FLANGE

- _____ Includes head, arm and flange
- _____ Three spray functions - Rain, aerated jet and massage
- _____ 4" diameter
- _____ EasyClean anti-limescale nozzles
- _____ Swivel: Yes
- _____ Flow rate: 1.75 or 2.0 GPM
- _____ Inlet connection: 1/2" NPT male
- _____ IAPMO listed, Massachusetts code approved & WaterSense compliant (2.0 GPM only)
- _____ IAPMO listed & CEC compliant (1.75 GPM only)

2.0 GPM			
Polished Chrome	14-21-PC	\$155	
Polished Nickel	14-21-PN	\$155	
Satin Nickel	14-21-SN	\$155	
1.75 GPM			
Polished Chrome	14-22-PC	\$155	
Polished Nickel	14-22-PN	\$155	
Satin Nickel	14-22-SN	\$155	



DARBY SHOWER HEAD WITH ARM AND FLANGE

- _____ Includes head, arm and flange
- _____ Three spray functions - Rain, aerated jet and massage
- _____ 4-1/4" diameter
- _____ EasyClean anti-limescale nozzles
- _____ Swivel: Yes
- _____ Flow rate: 1.75 or 2.0 GPM
- _____ Inlet connection: 1/2" NPT male
- _____ IAPMO listed, Massachusetts code approved & WaterSense compliant (2.0 GPM only)
- _____ IAPMO listed & CEC compliant (1.75 GPM only)

2.0 GPM			
Polished Chrome	15-21-PC	\$155	
Polished Nickel	15-21-PN	\$155	
Satin Nickel	15-21-SN	\$155	
1.75 GPM			
Polished Chrome	15-22-PC	\$155	
Polished Nickel	15-22-PN	\$155	
Satin Nickel	15-22-SN	\$155	

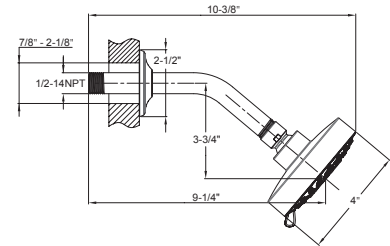


*6-WEEK LEADTIME

TAOS SHOWER HEAD WITH ARM AND FLANGE

Includes head, arm and flange
 Three spray functions - Rain, aerated jet and massage
 4-1/4" diameter
 EasyClean anti-limescale nozzles
 Swivel: Yes
 Flow rate: 1.75 or 2.0 GPM
 Inlet connection: 1/2" NPT male
 IAPMO listed, Massachusetts code approved,
 WaterSense compliant (2.0 GPM only)
 CEC compliant (1.75 GPM only)

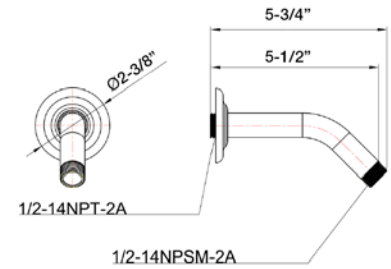
2.0 GPM			
Polished Chrome	17-21-PC	\$155	
Polished Nickel	17-21-PN	\$155	
Satin Nickel	17-21-SN	\$155	
Matte Black	17-21-MB	\$155	
1.75 GPM			
Polished Chrome	17-22-PC	\$155	
Polished Nickel	17-22-PN	\$155	
Satin Nickel	17-22-SN	\$155	
Matte Black	17-22-MB	\$155	



BELGRAVIA SHOWER ARM AND FLANGE

Solid brass
 Projection: 5-1/2"
 Inlet connection: 1/2" NPT

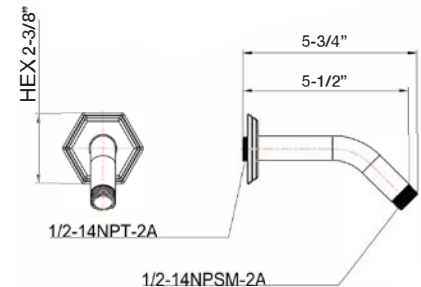
Polished Chrome	US-BL664C	\$75
Polished Nickel	US-BL664N	\$85
Satin Nickel	US-BL664S	\$125
Unlacquered Brass	US-BL664B	\$125



WALDORF SHOWER ARM AND FLANGE

Solid brass
 Projection: 5-1/2"
 Inlet connection: 1/2" NPT

Polished Chrome	US-WF664C	\$75
Polished Nickel	US-WF664N	\$85
Satin Nickel	US-WF664S	\$125
Unlacquered Brass	US-WF664B	\$125



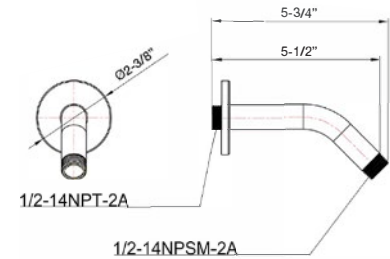
MODERN SHOWER ARM AND FLANGE

Solid brass

Projection: 5-1/2"

Inlet connection: 1/2" NPT male

Polished Chrome	US-PRO664C	\$75
Polished Nickel	US-PRO664N	\$85
Brushed Nickel	US-PRO664BN	\$145*
Satin Nickel	US-PRO664S	\$95
Brushed Black Chrome	US-PRO664BBC	\$145*
Matte Black	US-PRO664MB	\$95
Unlacquered Brass	US-PRO664B	\$125*
Brushed Brass	US-PRO664BB	\$95



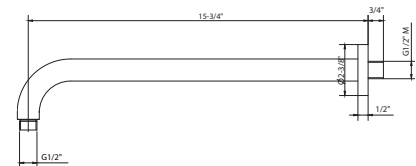
UNION 15-3/4" SHOWER ARM AND FLANGE

Solid brass

Projection: 15-3/4"

Inlet connection: 1/2" NPT male

Polished Chrome	US-SH400C	\$255
Brushed Nickel	US-SH400BN	\$445
Brushed Black Chrome	US-SH400BBC	\$445
Unlacquered Brass	US-SH400B	\$255
Matte Black	US-SH400MB	\$335*



MODERN 13" SHOWER ARM AND FLANGE

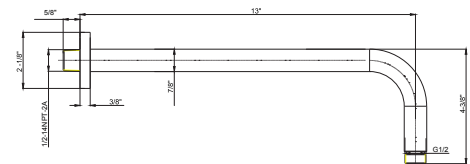
Solid brass

Projection: 13"

Inlet connection: 1/2" NPT male

IAPMO listed

Polished Chrome	US-FH684C	\$105
Polished Nickel	US-FH684N	\$125
Satin Nickel	US-FH684V	\$125
Matte Black	US-FH684MB	\$125
Brushed Brass	US-FH684BB	\$145
Unlacquered Brass	US-FH684B	\$105



*6-WEEK LEADTIME

Shower arms

MODERN 18" SHOWER ARM AND FLANGE

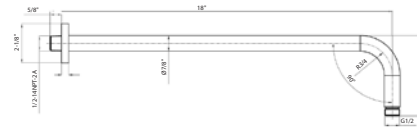
Solid brass

Projection: 18"

Inlet connection: 1/2" NPT male

IAPMO listed

Polished Chrome	US-FH695C	\$145
Polished Nickel	US-FH695N	\$175
Satin Nickel	US-FH695V	\$175
Matte Black	US-FH695MB	\$175
Brushed Brass	US-FH695BB	\$195



TRADITIONAL 13" SHOWER ARM AND FLANGE

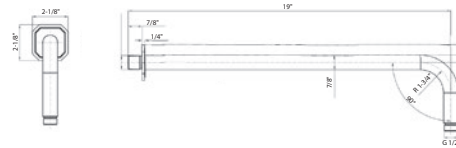
Solid brass

Projection: 13"

Inlet connection: 1/2" NPT male

IAPMO listed

Polished Chrome	US-BL685C	\$135
Polished Nickel	US-BL685N	\$165
Satin Nickel	US-BL685V	\$165
Unlacquered Brass	US-BL685B	\$165



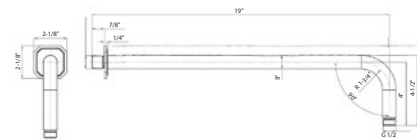
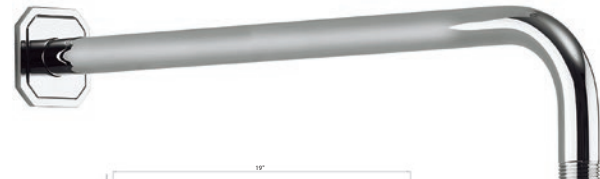
TRADITIONAL 18" SHOWER ARM AND FLANGE

Solid Brass

Projection: 18"

Inlet connection: 1/2" NPT male

Polished Chrome	US-BL695C	\$155
Polished Nickel	US-BL695N	\$175
Satin Nickel	US-BL695V	\$175
Unlacquered Brass	US-BL695B	\$175



MODERN 8" CEILING-MOUNT SHOWER ARM AND FLANGE

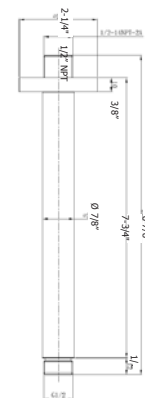
Solid brass

Projection: 7-3/4"

Inlet connection: 1/2" NPT male

IAPMO listed

Polished Chrome	US-PRO689C	\$95
Polished Nickel	US-PRO689N	\$125
Satin Nickel	US-PRO689V	\$125
Matte Black	US-PRO689MB	\$125
Brushed Brass	US-PRO689BB	\$145
Unlacquered Brass	US-PRO689B	\$95



***12-WEEK LEADTIME**

BELGRAVIA HANDSHOWER SET WITH HOSE AND BRACKET WITH OUTLET

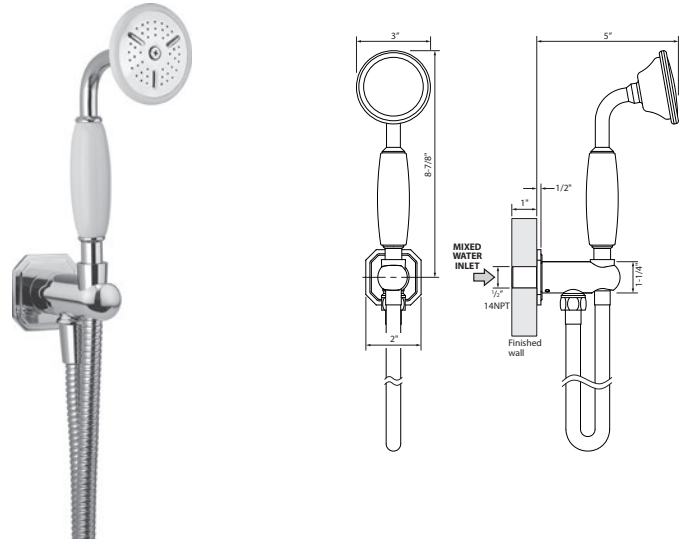
- Single-spray
- 60" decorative metal hose
- Wall bracket includes vacuum breaker
- Flow rate: 1.75 or 2.0 GPM
- Inlet connection: 1/2" NPT male
- Massachusetts code approved

With 2.0 GPM handshower

Polished Chrome	US-BL964C	\$365
Polished Nickel	US-BL964N	\$395
Satin Nickel	US-BL964S	\$395*
Unlacquered Brass	US-BL964B	\$395*

With 1.75 GPM handshower

Polished Chrome	US-BL964175C	\$365
Polished Nickel	US-BL964175N	\$395
Satin Nickel	US-BL964175S	\$395*
Unlacquered Brass	US-BL964175B	\$395*



WALDORF HANDSHOWER SET WITH HOSE AND BRACKET WITH OUTLET

- Single-spray
- 60" decorative metal hose
- Wall bracket includes vacuum breaker
- Flow rate: 1.75 or 2.0 GPM
- Inlet connection: 1/2" NPT male
- Massachusetts code approved (2.0 GPM only)
- IAPMO listed



2.0 GPM Metal handshower

Polished Chrome	US-WF964C	\$425
Polished Nickel	US-WF964N	\$475
Satin Nickel	US-WF964S	\$475*
Unlacquered Brass	US-WF964B	\$475*

2.0 GPM Metal with Black Insert

Polished Chrome	US-WF964C_B	\$425
Polished Nickel	US-WF964N_B	\$475
Satin Nickel	US-WF964S_B	\$475*
Unlacquered Brass	US-WF964B_B	\$475*

2.0 GPM Metal with White Insert

Polished Chrome	US-WF964C_W	\$425
Polished Nickel	US-WF964N_W	\$475
Satin Nickel	US-WF964S_W	\$475*
Unlacquered Brass	US-WF964B_W	\$475*

1.75 GPM Metal handshower

Polished Chrome	US-WF964175C	\$425
Polished Nickel	US-WF964175N	\$475
Satin Nickel	US-WF964175S	\$475*
Unlacquered Brass	US-WF964175B	\$475*

1.75 GPM Metal with Black Insert

Polished Chrome	US-WF964175C_B	\$425
Polished Nickel	US-WF964175N_B	\$475
Satin Nickel	US-WF964175S_B	\$475*
Unlacquered Brass	US-WF964175B_B	\$475*

1.75 GPM Metal with White Insert

Polished Chrome	US-WF964175C_W	\$425
Polished Nickel	US-WF964175N_W	\$475
Satin Nickel	US-WF964175S_W	\$475*
Unlacquered Brass	US-WF964175B_W	\$475*

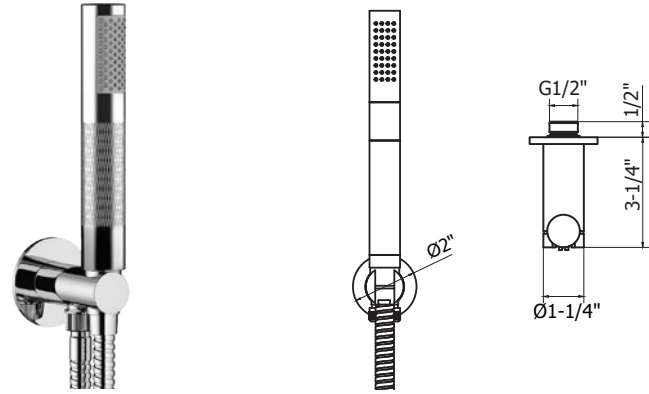
*12-WEEK LEADTIME



UNION HANDSHOWER SET WITH HOSE AND BRACKET WITH OUTLET

- Single-spray
- EasyClean anti-limescale nozzles
- 60" decorative metal hose
- Wall bracket includes vacuum breaker
- Flow rate: 2.0 GPM
- Inlet connection: 1/2" NPT

Polished Chrome	US-UN964C	\$625
Brushed Nickel	US-UN964BN	\$835
Brushed Black Chrome	US-UN964BBC	\$835
Unlacquered Brass	US-UN964B	\$625
Matte Black	US-UN964MB	\$785*



MODERN ROUND HANDSHOWER SET WITH HOSE AND BRACKET WITH OUTLET

- Single-spray
- EasyClean anti-limescale nozzles
- 60" decorative metal hose
- Wall bracket includes vacuum breaker
- Flow rate: 1.75 or 2.0 GPM
- Inlet connection: 1/2" NPT male
- Massachusetts code approved, IAPMO listed & WaterSense compliant (2.0 GPM only)

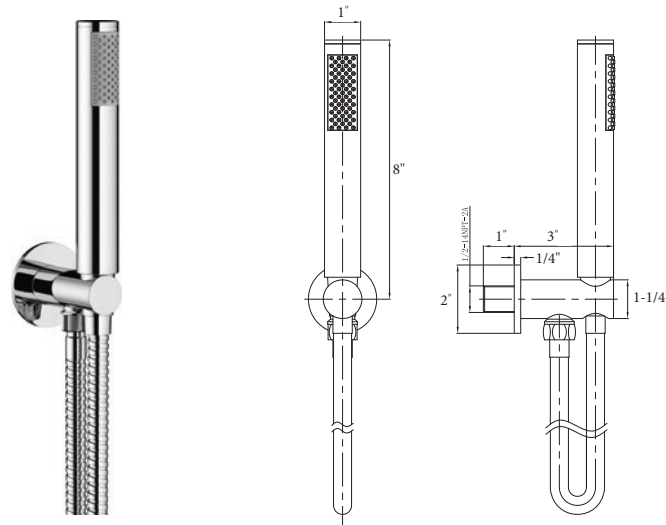
With 2.0 GPM handshower

Note: discontinued when sold through

Polished Chrome	US-PRO963C	\$240
Polished Nickel	US-PRO963N	\$260
Satin Nickel	US-PRO963V	\$340
Matte Black	US-PRO963MB	\$290
Brushed Brass	US-PRO963BB	\$400

With 1.75 GPM handshower

Polished Chrome	US-PRO965C	\$275
Satin Nickel	US-PRO965V	\$375
Matte Black	US-PRO965MB	\$325
Brushed Brass	US-PRO965BB	\$435

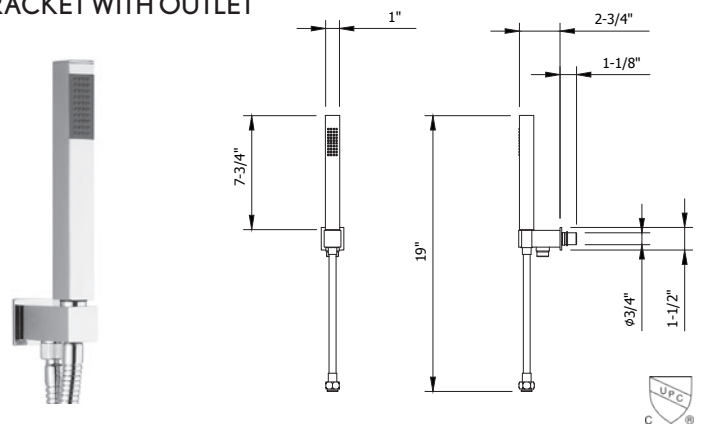


MODERN SQUARE HANDSHOWER SET WITH HOSE AND BRACKET WITH OUTLET

- Single-spray
- EasyClean anti-limescale nozzles
- 60" decorative metal hose
- Wall bracket includes vacuum breaker
- Flow rate: 2.0 GPM
- Inlet connection: 1/2" NPT male
- Massachusetts code approved & IAPMO listed

Polished Chrome	US-SK962C	\$375
Satin Nickel	US-SK962V	\$455

***12-WEEK LEADTIME**



BELGRAVIA HANDSHOWER RAIL SET

Set includes handshower, hose, slide rail and wall outlet

Single-function spray

Handshower includes vacuum breaker and flow restrictor

24" adjustable bar with bracket

60" decorative metal hose included

Flow rate: 1.75 or 2.0 GPM

Inlet connection: 1/2" NPT

With 2.0 GPM handshower

Polished Chrome	US-BL931C	\$995
Polished Nickel	US-BL931N	\$1095
Satin Nickel	US-BL931S	\$1095*
Unlacquered Brass	US-BL931B	\$1095*

With 1.75 GPM handshower

Polished Chrome	US-BL930C	\$995
Polished Nickel	US-BL930N	\$1095
Satin Nickel	US-BL930S	\$1095*
Unlacquered Brass	US-BL930B	\$1095*



WALDORF HANDSHOWER RAIL SET

Set includes handshower, hose, slide rail and wall outlet

Single-function spray

Handshower includes vacuum breaker and flow restrictor

24" adjustable bar with bracket

60" decorative metal hose included

Flow rate: 1.75 or 2.0 GPM

Inlet connection: 1/2" NPT



2.0 GPM Metal handshower

Polished Chrome	US-WF931C	\$995
Polished Nickel	US-WF931N	\$1095
Satin Nickel	US-WF931S	\$1095*
Unlacquered Brass	US-WF931B	\$1095*

2.0 GPM Metal with black insert

Polished Chrome	US-WF931C_B	\$995
Polished Nickel	US-WF931N_B	\$1095
Satin Nickel	US-WF931S_B	\$1095*
Unlacquered Brass	US-WF931B_B	\$1095*

2.0 GPM Metal with white insert

Polished Chrome	US-WF931C_W	\$995
Polished Nickel	US-WF931N_W	\$1095
Satin Nickel	US-WF931S_W	\$1095*
Unlacquered Brass	US-WF931B_W	\$1095*

1.75 GPM Metal handshower

Polished Chrome	US-WF930C	\$995
Polished Nickel	US-WF930N	\$1095
Satin Nickel	US-WF930S	\$1095*
Unlacquered Brass	US-WF930B	\$1095*

1.75 GPM Metal with black insert

Polished Chrome	US-WF930C_B	\$995
Polished Nickel	US-WF930N_B	\$1095
Satin Nickel	US-WF930S_B	\$1095*
Unlacquered Brass	US-WF930B_B	\$1095*

1.75 GPM Metal with white insert

Polished Chrome	US-WF930C_W	\$995
Polished Nickel	US-WF930N_W	\$1095
Satin Nickel	US-WF930S_W	\$1095*
Unlacquered Brass	US-WF930B_W	\$1095*

*12-WEEK LEADTIME

Handshower rail sets

BEREA HANDSHOWER RAIL SET

Set includes handshower, hose, slide rail and wall outlet

Multi-function spray: Rain, aerated jet, massage

Handshower features EasyClean anti-limescale nozzles

Handshower includes vacuum breaker and flow restrictor

26" adjustable bar with bracket

Flow rate: 1.75 or 2.5 GPM

Inlet connection: 1/2" NPT female

IAPMO listed

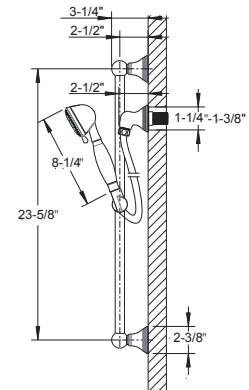
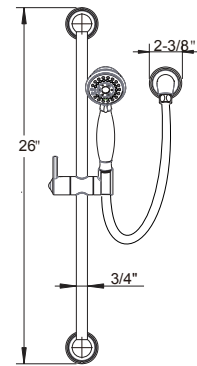
Massachusetts code approved (2.5 GPM only)

With 2.5 GPM handshower

Polished Chrome	11-31-PC	\$695
Polished Nickel	11-31-PN	\$695
Satin Nickel	11-31-SN	\$695

With 1.75 GPM handshower

Polished Chrome	11-30-PC	\$695
Polished Nickel	11-30-PN	\$695
Satin Nickel	11-30-SN	\$695



LEYDEN HANDSHOWER RAIL SET

Set includes handshower, hose, slide rail and wall outlet

Single-function spray: Rain

Handshower features EasyClean anti-limescale nozzles

Handshower includes vacuum breaker and flow restrictor

25-1/2" adjustable bar with bracket

Flow rate: 1.75 or 2.5 GPM

Inlet connection: 1/2" NPT female

IAPMO listed

Massachusetts code approved (2.5 GPM only)

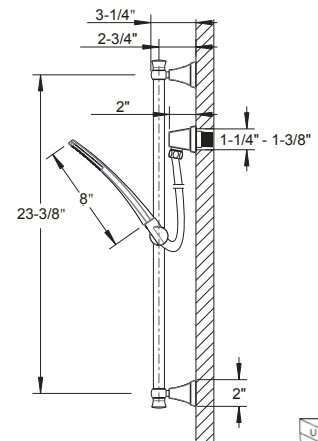
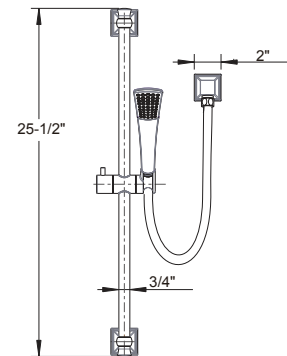
With 2.5 GPM handshower

Polished Chrome	14-31-PC	\$695
Polished Nickel	14-31-PN	\$695
Satin Nickel	14-31-SN	\$695

With 1.75 GPM handshower

Note: See page 307 for 1.75 GPM handshower supplied with this set.

Polished Chrome	14-30-PC	\$695
Polished Nickel	14-30-PN	\$695
Satin Nickel	14-30-SN	\$695



DARBY HANDSHOWER RAIL SET

Set includes handshower, hose, slide rail and wall outlet

Multi-function spray: Rain, aerated jet, massage

Handshower features EasyClean anti-limescale nozzles

Handshower includes vacuum breaker and flow restrictor

26" adjustable bar with bracket

Flow rate: 1.75 or 2.0 GPM

Inlet connection: 1/2" NPT female

IAPMO listed

Massachusetts code approved
& WaterSense compliant (2.0 GPM only)

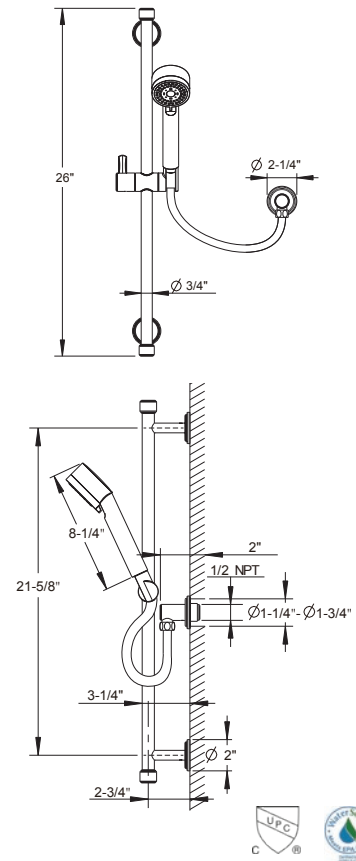
With 2.0 GPM handshower

Polished Chrome	15-31-PC	\$695
Polished Nickel	15-31-PN	\$695
Satin Nickel	15-31-SN	\$695

With 1.75 GPM handshower

Note: See page 307 for 1.75 GPM handshower supplied with this set.

Polished Chrome	15-30-PC	\$695
Polished Nickel	15-30-PN	\$695
Satin Nickel	15-30-SN	\$695



TAOS HANDSHOWER RAIL SET

Set includes handshower, hose, slide rail and wall outlet

Single-function spray: Rain

Handshower features EasyClean anti-limescale nozzles

Handshower includes vacuum breaker and flow restrictor

24" adjustable bar with bracket

Flow rate: 1.75 or 2.5 GPM

Inlet connection: 1/2" NPT female

IAPMO listed

Massachusetts code approved (2.5 GPM only)

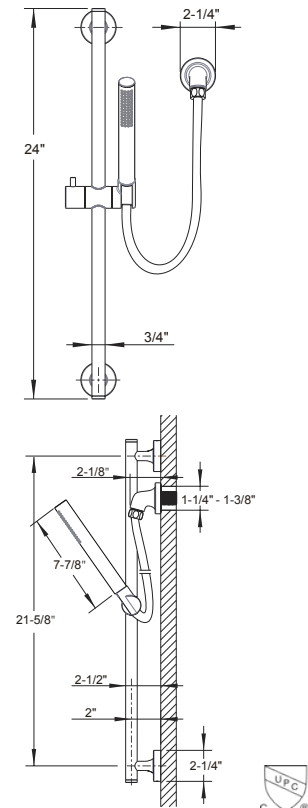
With 2.5 GPM handshower

Note: discontinued when sold through

Polished Chrome	17-31-PC	\$660
Polished Nickel	17-31-PN	\$660
Satin Nickel	17-31-SN	\$660
Matte Black	17-31-MB	\$660

With 1.75 GPM handshower

Polished Chrome	17-30-PC	\$695
Polished Nickel	17-30-PN	\$695
Satin Nickel	17-30-SN	\$695
Matte Black	17-30-MB	\$695



Handshower rail sets

MODERN 1 HANDSHOWER RAIL SET

Set includes Svelte single-function handshower, 59" hose, Modern slide rail and Modern wall outlet

Single-function spray

Handshower includes vacuum breaker and flow restrictor

26-3/4" adjustable bar with bracket

60" decorative metal hose included

Flow rate: 1.75 GPM

Inlet connection: 1/2" NPT

Polished Chrome	US-HSS8500270C	\$425
Polished Nickel	US-HSS8500270N	\$625
Satin Nickel	US-HSS850027V	\$725
Matte Black	US-HSS850027MB	\$625



MODERN 2 HANDSHOWER RAIL SET

Set includes Svelte multi-function handshower, 59" hose, Modern slide rail and Modern wall outlet

Multi-function spray: RainAir, AirPower, Massage

Handshower includes vacuum breaker and flow restrictor

26-3/4" adjustable bar with bracket

60" decorative metal hose included

Flow rate: 1.75 GPM

Inlet connection: 1/2" NPT female

Polished Chrome	US-HSS850051C	\$485
Satin Nickel	US-HSS850051V	\$765
Matte Black	US-HSS850051MB	\$625



MODERN 3 HANDSHOWER RAIL SET

Set includes: Modern single-function handshower, 59" hose, Modern slide rail and Modern wall outlet

Single-function spray

Handshower includes vacuum breaker and flow restrictor

26-3/4" adjustable bar with bracket

60" decorative metal hose included

Flow rate: 1.75 GPM

Inlet connection: 1/2" NPT

Polished Chrome	US-HSS85036C	\$485
Satin Nickel	US-HSS85036V	\$765
Matte Black	US-HSS85036MB	\$625



SVELTE 1 HANDSHOWER RAIL SET

Set includes Svelte single-function handshower,
59" hose, Svelte slide rail and Modern wall outlet

Single-function spray

Handshower includes vacuum
breaker and flow restrictor

27-1/2" adjustable bar with bracket

60" decorative metal hose included

Flow rate: 1.75 GPM

Inlet connection: 1/2" NPT female

Polished Chrome	US-HSS023027C	\$425
Polished Nickel	US-HSS023027N	\$625
Satin Nickel	US-HSS023027V	\$735
Matte Black	US-HSS023027MB	\$625

**SVELTE 2 HANDSHOWER RAIL SET**

Set includes Svelte multi-function handshower,
59" hose, Svelte slide rail and Modern wall outlet

Multi-function spray: RainAir, AirPower, Massage

Handshower includes vacuum
breaker and flow restrictor

27-1/2" adjustable bar with bracket

60" decorative metal hose included

Flow rate: 1.75 GPM

Inlet connection: 1/2" NPT female

Polished Chrome	US-HSS023051C	\$485
Satin Nickel	US-HSS023051V	\$775
Matte Black	US-HSS023051MB	\$635

**SVELTE 3 HANDSHOWER RAIL SET**

Set includes: Modern single-function handshower,
59" hose, Svelte slide rail and Modern wall outlet

Single-function spray

Handshower includes vacuum
breaker and flow restrictor

27-1/2" adjustable bar with bracket

60" decorative metal hose included

Flow rate: 1.75 GPM

Inlet connection: 1/2" NPT

Polished Chrome	US-HSS02336C	\$485
Satin Nickel	US-HSS02336V	\$775
Matte Black	US-HSS02336MB	\$625
Brushed Brass	US-HSS02336BB	\$795



BELGRAVIA HANDSHOWER

Single spray
 Flow rate: 1.75 or 2.0 GPM
 Massachusetts code approved & IAPMO listed
 CEC compliant &
 WaterSense compliant (1.75 GPM only)

2.0 GPM			
Polished Chrome	US-BLHANDSETC	\$135	
Polished Nickel	US-BLHANDSETN	\$145	
Satin Nickel	US-BLHANDSETS	\$145*	
Unlacquered Brass	US-BLHANDSETB	\$145*	
1.75 GPM			
Polished Chrome	US-BLHANDSET175C	\$135	
Polished Nickel	US-BLHANDSET175N	\$145	
Satin Nickel	US-BLHANDSET175S	\$145*	
Unlacquered Brass	US-BLHANDSET175B	\$145*	



WALDORF HANDSHOWER

Single spray
 Flow rate: 1.75 or 2.0 GPM
 Massachusetts code approved & IAPMO listed
 CEC compliant &
 WaterSense compliant (1.75 GPM only)

2.0 GPM Metal handshower			
Polished Chrome	US-WFHANDSETC	\$275	
Polished Nickel	US-WFHANDSETN	\$295	
Satin Nickel	US-WFHANDSETS	\$295*	
Unlacquered Brass	US-WFHANDSETB	\$295*	
1.75 GPM Metal handshower			
Polished Chrome	US-WFHANDSET175C	\$275	
Polished Nickel	US-WFHANDSET175N	\$295	
Satin Nickel	US-WFHANDSET175S	\$295*	
Unlacquered Brass	US-WFHANDSET175B	\$295*	



2.0 GPM Metal handshower with black insert			
Polished Chrome	US-WFHANDSETC_B	\$275	
Polished Nickel	US-WFHANDSETN_B	\$295	
Satin Nickel	US-WFHANDSETS_B	\$295*	
Unlacquered Brass	US-WFHANDSETB_B	\$295*	
1.75 GPM Metal handshower with black insert			
Polished Chrome	US-WFHANDSET175C_B	\$275	
Polished Nickel	US-WFHANDSET175N_B	\$295	
Satin Nickel	US-WFHANDSET175S_B	\$295*	
Unlacquered Brass	US-WFHANDSET175B_B	\$295*	



2.0 GPM Metal handshower with white insert			
Polished Chrome	US-WFHANDSETC_W	\$275	
Polished Nickel	US-WFHANDSETN_W	\$295	
Satin Nickel	US-WFHANDSETS_W	\$295*	
Unlacquered Brass	US-WFHANDSETB_W	\$295*	
1.75 GPM Metal handshower with white insert			
Polished Chrome	US-WFHANDSET175C_W	\$275	
Polished Nickel	US-WFHANDSET175N_W	\$295	
Satin Nickel	US-WFHANDSET175S_W	\$295*	
Unlacquered Brass	US-WFHANDSET175B_W	\$295*	



*12-WEEK LEADTIME

SVELTE SINGLE-FUNCTION HANDSHOWER

Single spray
 Handshower features EasyClean anti-limescale nozzles
 Handshower includes vacuum breaker and flow restrictor
 Flow rate: 1.75 GPM
 CSA listed, Massachusetts code approved, CEC compliant

- | | | |
|-----------------|------------|-------|
| Polished Chrome | US-HS027C | \$95 |
| Polished Nickel | US-HS027N | \$135 |
| Satin Nickel | US-HS027S | \$165 |
| Matte Black | US-HS027MB | \$135 |



SVELTE MULTI-FUNCTION HANDSHOWER

Multi-function spray: RainAir, AirPower, Massage
 Handshower features EasyClean anti-limescale nozzles
 Handshower includes vacuum breaker and flow restrictor
 Flow rate: 1.75 GPM
 CSA listed, Massachusetts code approved, CEC compliant

- | | | |
|-----------------|------------|-------|
| Polished Chrome | US-HS051C | \$135 |
| Satin Nickel | US-HS051S | \$175 |
| Matte Black | US-HS051MB | \$155 |



LEYDEN HANDSHOWER (1.75 GPM)

Single-function spray
 Handshower features EasyClean anti-limescale nozzles
 Handshower includes vacuum breaker and flow restrictor
 Flow rate: 1.75 GPM
 Massachusetts code approved, IAPMO listed, CEC compliant & WaterSense compliant

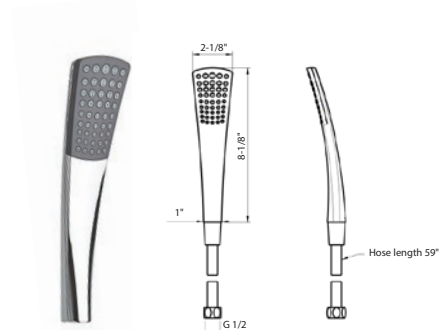
- | | | |
|-----------------|----------|-------|
| Polished Chrome | 14-37-PC | \$110 |
| Polished Nickel | 14-37-PN | \$110 |
| Satin Nickel | 14-37-SN | \$110 |



LEYDEN HANDSHOWER (2.5 GPM)

Single-function spray
 Handshower features EasyClean anti-limescale nozzles
 Handshower includes vacuum breaker and flow restrictor
 Flow rate: 2.5 GPM
Note: Discontinued when sold through

- | | | |
|-----------------|----------|-------|
| Polished Chrome | 14-38-PC | \$110 |
| Polished Nickel | 14-38-PN | \$110 |
| Satin Nickel | 14-38-SN | \$110 |



Handshowers and hoses

DARBY HANDSHOWER

Includes head, arm and flange
 Three spray functions - Rain, aerated jet and massage
 4-1/4" diameter
 EasyClean anti-limescale nozzles
 Swivel: Yes
 Flow rate: 1.75 GPM
 Inlet connection: 1/2" NPT
 Massachusetts code approved, IAPMO listed,
 CEC compliant & WaterSense compliant

Polished Chrome **15-37-PC** **\$110**
 Polished Nickel **15-37-PN** **\$110**
 Satin Nickel **15-37-SN** **\$110**



BEREA HANDSHOWER

Multi-function spray: Rain, aerated jet, massage
 Handshower features EasyClean
 anti-limescale nozzles
 Handshower includes vacuum
 breaker and flow restrictor
 Flow rate: 1.75 GPM
 Massachusetts code approved, IAPMO listed
 & CEC compliant

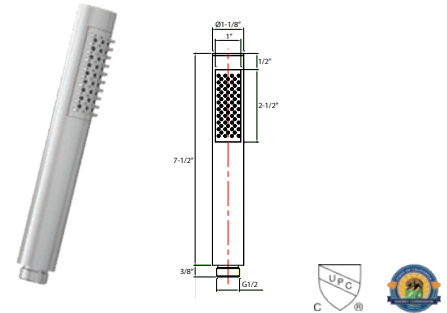
Polished Chrome **11-37-PC** **\$110**
 Polished Nickel **11-37-PN** **\$110**
 Satin Nickel **11-37-SN** **\$110**



MODERN HANDSHOWER

Single spray
 Handshower features EasyClean
 anti-limescale nozzles
 Handshower includes vacuum
 breaker and flow restrictor
 Flow rate: 1.75 GPM
 Massachusetts code approved, IAPMO listed,
 CEC compliant

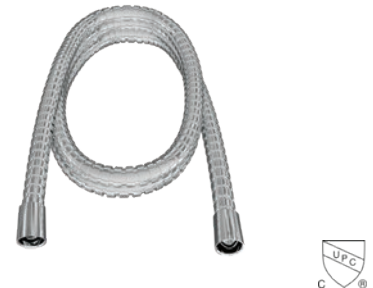
Polished Chrome **US-SH965C** **\$95**
 Polished Nickel **US-SH965N** **\$115**
 Satin Nickel **US-SH965V** **\$145**
 Matte Black **US-SH965MB** **\$125**
 Brushed Brass **US-SH965BB** **\$145**



59" HANDSHOWER HOSE

Double-spiral brass hose
 Length: 59"
 1/2" female threads
 IAPMO listed (US-SH970 only)

Polished Chrome **US-SH970C** **\$95**
 Polished Nickel **US-SH970N** **\$115**
 Satin Nickel **US-SH970V** **\$125**
 Matte Black **US-SH970MB** **\$125**
 Brushed Brass **US-SH970BB** **\$175**
 Unlacquered Brass **US-SH977B** **\$125**
 Brushed Nickel **US-SH977BN** **\$205**
 Brushed Black Chrome **US-SH977BBC** **\$205**



59" HANDSHOWER HOSE

Double-spiral brass hose
 Length: 59"
 1/2" female threads

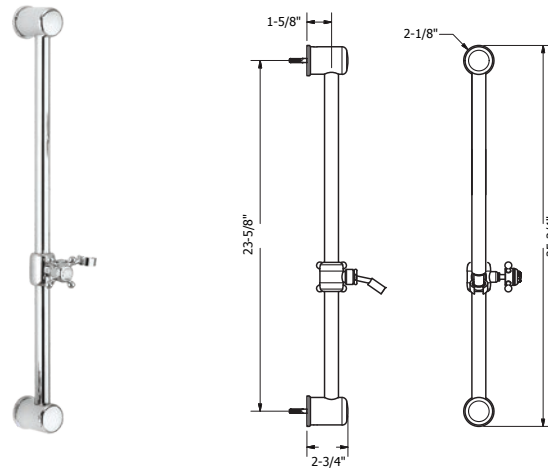
Polished Chrome **9Q242500CP** **\$99**
 Polished Nickel **9Q242500RN** **\$99**
 Satin Nickel **9Q242500AP** **\$99**



BELGRAVIA HANDSHOWER RAIL

Length: 25-3/4"

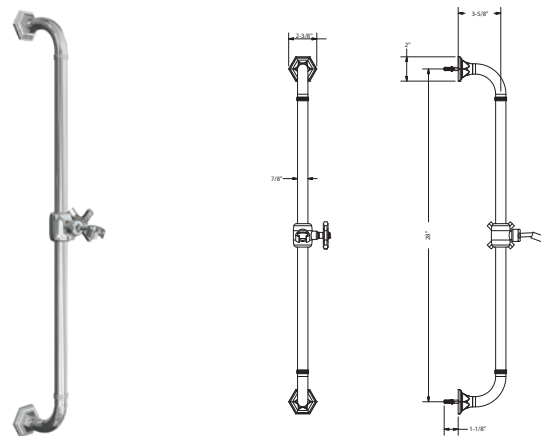
Polished Chrome	US-BL850C	\$825
Polished Nickel	US-BL850N	\$895
Satin Nickel	US-BL850S	\$895*
Unlacquered Brass	US-BL850B	\$895*



WALDORF HANDSHOWER RAIL

Length: 28"

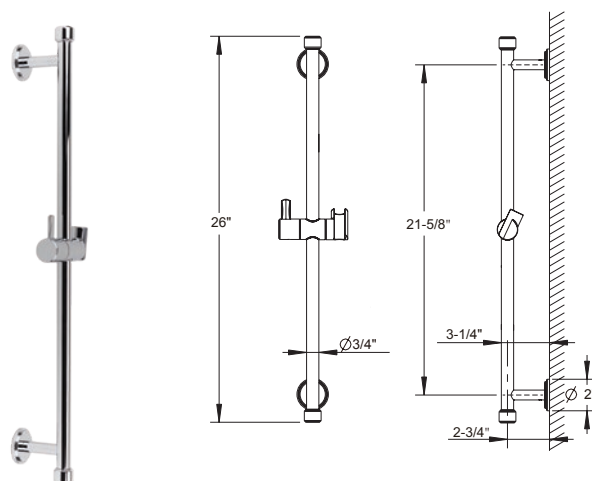
Polished Chrome	US-WF850C	\$645
Polished Nickel	US-WF850N	\$695
Satin Nickel	US-WF850S	\$695*
Unlacquered Brass	US-WF850B	\$695*



DARBY HANDSHOWER RAIL

26" adjustable bar with bracket

Polished Chrome	15-32-PC	\$455
Polished Nickel	15-32-PN	\$455
Satin Nickel	15-32-SN	\$455

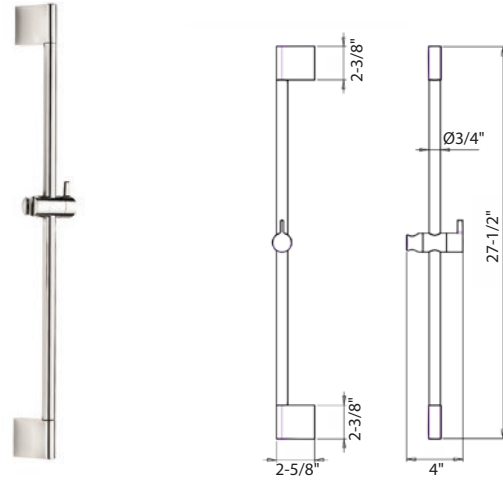


*12-WEEK LEADTIME

SVELTE HANDSHOWER RAIL

Length: 27-1/2"

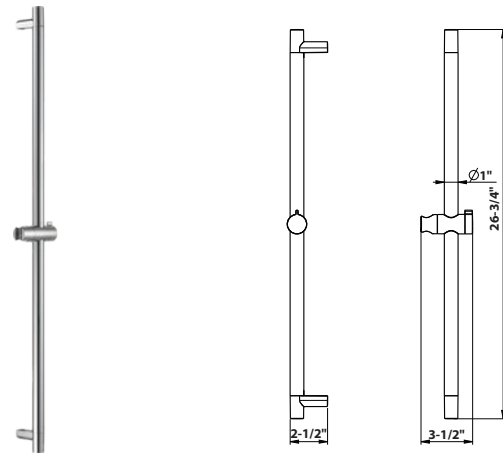
Polished Chrome	US-SR023C	\$215
Polished Nickel	US-SR023N	\$355
Satin Nickel	US-SR023S	\$395
Matte Black	US-SR023MB	\$355
Brushed Brass	US-SR040BB	\$435



MODERN ROUND HANDSHOWER RAIL

Length: 26-3/4"

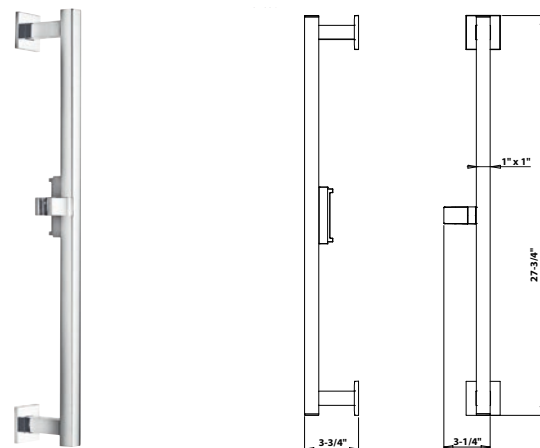
Polished Chrome	US-PRO850C	\$275
Polished Nickel	US-PRO850N	\$365
Satin Nickel	US-PRO850V	\$375
Matte Black	US-PRO850MB	\$365



MODERN SQUARE HANDSHOWER RAIL

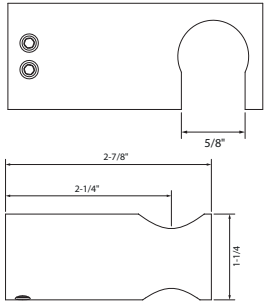
Length: 27-3/4"

Polished Chrome	US-SK850C	\$245
Satin Nickel	US-SK850V	\$395



MODERN WALL BRACKET

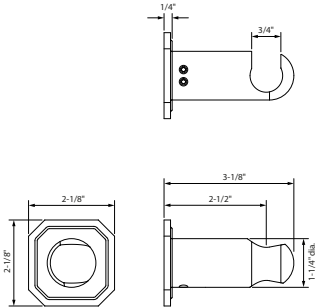
- Polished Chrome **US-WB963C** **\$75**
- Polished Nickel **US-WB963N** **\$85**
- Satin Nickel **US-WB963S** **\$85**
- Unlacquered Brass **US-WB963B** **\$85**



TRADITIONAL WALL BRACKET

IAPMO listed
 Massachusetts code approved

- Polished Chrome **US-BL953C** **\$115**
- Polished Nickel **US-BL953N** **\$145**
- Satin Nickel **US-BL953V** **\$145***
- Unlacquered Brass **US-BL953B** **\$145***



*12-WEEK LEADTIME

Outlets

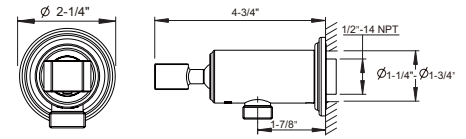
DARBY WALL BRACKET WITH OUTLET

Includes vacuum breaker

Inlet connection size: 1/2" NPT male

Massachusetts code approved & IAPMO listed

Polished Chrome	15-35-PC	\$195
Polished Nickel	15-35-PN	\$195
Satin Nickel	15-35-SN	\$195



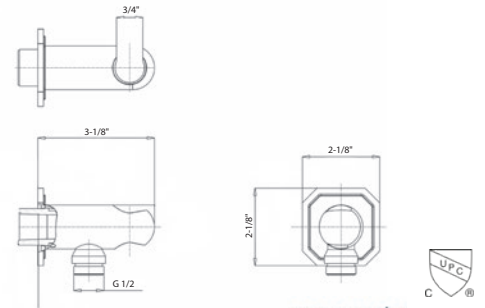
TRADITIONAL WALL BRACKET WITH OUTLET

Includes vacuum breaker

Inlet connection size: 1/2" NPT male

IAPMO listed

Polished Chrome	US-BL963C	\$135
Polished Nickel	US-BL963N	\$165
Satin Nickel	US-BL963S	\$165
Unlacquered Brass	US-BL963B	\$165



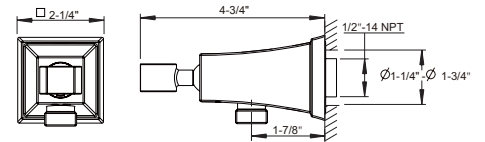
LEYDEN WALL BRACKET WITH OUTLET

Includes vacuum breaker

Inlet connection size: 1/2" NPT male

IAPMO listed

Polished Chrome	14-35-PC	\$195
Polished Nickel	14-35-PN	\$195
Satin Nickel	14-35-SN	\$195

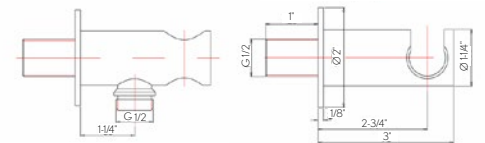


MODERN WALL BRACKET WITH OUTLET

Includes vacuum breaker

Inlet connection size: 1/2" NPT

Polished Chrome	US-WB983C	\$125
Polished Nickel	US-WB983N	\$155
Satin Nickel	US-WB983V	\$155
Matte Black	US-WB983MB	\$155
Brushed Brass	US-WB983BB	\$185



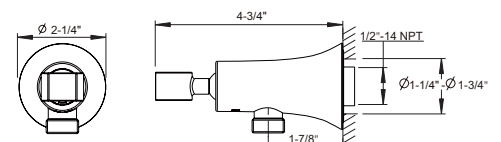
TAOS WALL BRACKET WITH OUTLET

Includes vacuum breaker

Inlet connection size: 1/2" NPT male

IAPMO listed

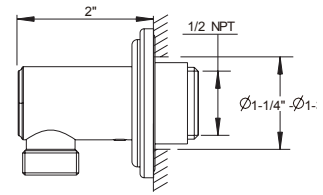
Polished Chrome	17-35-PC	\$195
Polished Nickel	17-35-PN	\$195
Satin Nickel	17-35-SN	\$195
Matte Black	17-35-MB	\$195



DARBY WALL OUTLET

Includes vacuum breaker
 Inlet connection size: 1/2" NPT male
 Massachusetts code approved & IAPMO listed

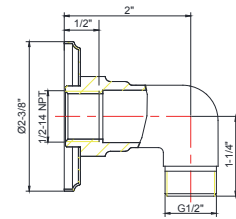
Polished Chrome	15-33-PC	\$175
Polished Nickel	15-33-PN	\$175
Satin Nickel	15-33-SN	\$175



TRADITIONAL WALL OUTLET

Includes vacuum breaker
 Inlet connection size: 1/2" NPT female
 Massachusetts code approved & IAPMO listed

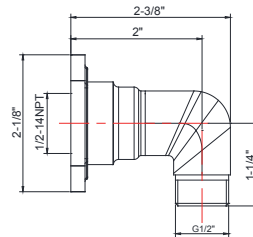
Polished Chrome	US-ARC953C	\$105
Polished Nickel	US-ARC953N	\$125
Satin Nickel	US-ARC953S	\$125*
Unlacquered Brass	US-ARC953B	\$125



WALDORF WALL OUTLET

Includes vacuum breaker
 Inlet connection size: 1/2" NPT female
 IAPMO listed

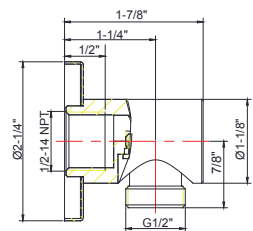
Polished Chrome	US-WF953C	\$125
Polished Nickel	US-WF953N	\$155
Satin Nickel	US-WF953V	\$155
Unlacquered Brass	US-WF953B	\$155



MODERN ROUND WALL OUTLET

Includes vacuum breaker
 Inlet connection size: 1/2" NPT female
 IAPMO listed

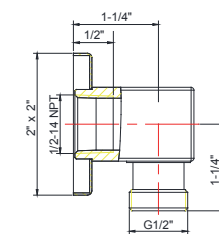
Polished Chrome	US-WL953C	\$105
Polished Nickel	US-WL953N	\$135
Satin Nickel	US-WL953V	\$135
Matte Black	US-WL953MB	\$135
Brushed Brass	US-WL953BB	\$145



MODERN SQUARE WALL OUTLET

Includes vacuum breaker
 Inlet connection size: 1/2" NPT female
 IAPMO listed

Polished Chrome	US-WL952C	\$105
Satin Nickel	US-WL952V	\$135



6-WEEK LEADTIME



Svelte Single-function Handshower
in Polished Chrome (US-HS027C)



Modern 8" Rain Head in Matte Black (US-PRO200MB)
13" Shower Arm and Flange in Matte Black (US-FH684MB)



Modern Handshower in Brushed Brass (US-SH9654BB)



Belgravia 12" Rain Head in Polished Chrome (US-FH12C)

Modern 8" Ceiling-Mount Shower Arm And Flange
in Polished Chrome (US-PRO689C)



Ressa X1 Spa Toilet (US-RS100W)

RESSA SPA TOILETS



REFRESHING AND REJUVENATING.
A NEW LEVEL OF
PERSONALIZED COMFORT.

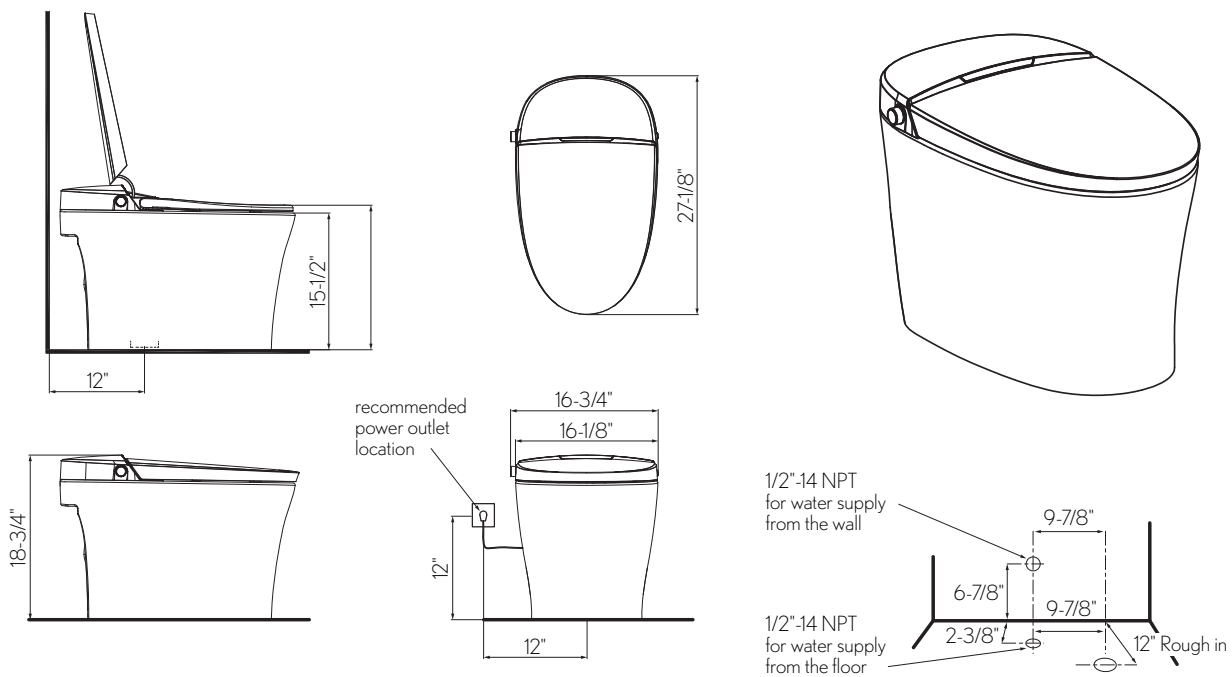
With elegant Scandinavian design and efficient performance, Ressa offers an unmatched balance of features, aesthetics, and surprising affordability.

RESSA X1 SPA TOILET

- One-piece toilet with integrated cleaning and comfort functions in the seat
- Universal-height, skirted bow
- SoftClose, anti-bacterial seat
- Operated by remote control with wall-mount hanger (included)
- Heated seat with temperature control (6 levels)
- Front and rear washing with adjustable temperature (6 levels), pressure (3 levels) and nozzle position (5 levels)
- Arc-shaped spray wand for wider spray range and greater distance from falling waste
- Warm air dryer with adjustable temperature (6 levels) and volume (6 levels)
- Deodorizer
- Night light
- Auto flush feature
- Includes 2 user ID settings
- Size: L 27-1/8" x W 16-1/8" x H 18-3/4"
- Single flushing system 1.25 GPF (4.8 LPF)
- MAP flushing performance score: 800
- 12" rough-in
- IAPMO listed
- WaterSense compliant



Ressa X1 Spa Toilet **US-RS100W** **\$2095**



RESSA X1 SPA TOILET REMOTE

Size: L 6-1/4" x W 2-3/8" x H 3/4"

100% Waterproof, and will continue to operate even when submerged in water

Battery housing includes silicone gasket to create a water-tight seal

Indicator lights (only visible during operation)

Two user ID settings

Operates front wand spray, rear wand spray, dryer, memory settings, heated seat, light and flush

Adjusts water pressure, front and rear wand positions, water temperature, dryer temperature and seat temperature

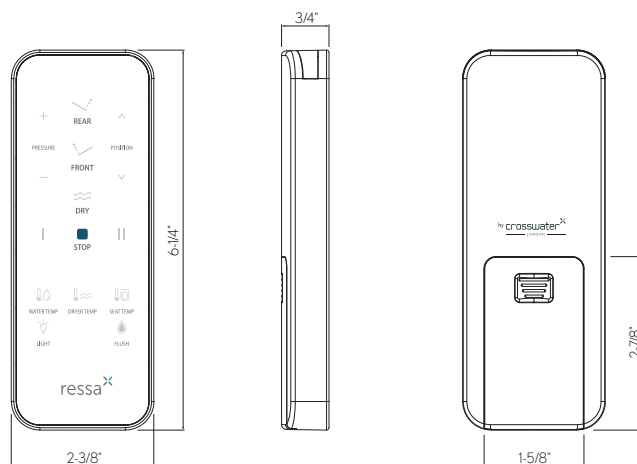
Includes wall-mount hanger

Batteries not included



Remote for Ressa X1 Spa Toilet (included)
US-RSREMOTEW

RESSA
 SPA TOILETS





MPRO 39" Vanity in American Walnut (US-PRO393AW)

MPRO One-piece Single-flush Toilet (US-PRO9005CW-SF)

TOILETS



TIMELESS DESIGNS TO SUIT ALL BATHROOM STYLES

From streamlined designs to traditional styles, choose from a beautiful selection of sanitaryware products to create your ideal bathroom suite. Manufactured using only the finest materials and the latest production techniques, each product will reflect a sense of individual style.

MPRO ONE-PIECE SINGLE-FLUSH TOILET

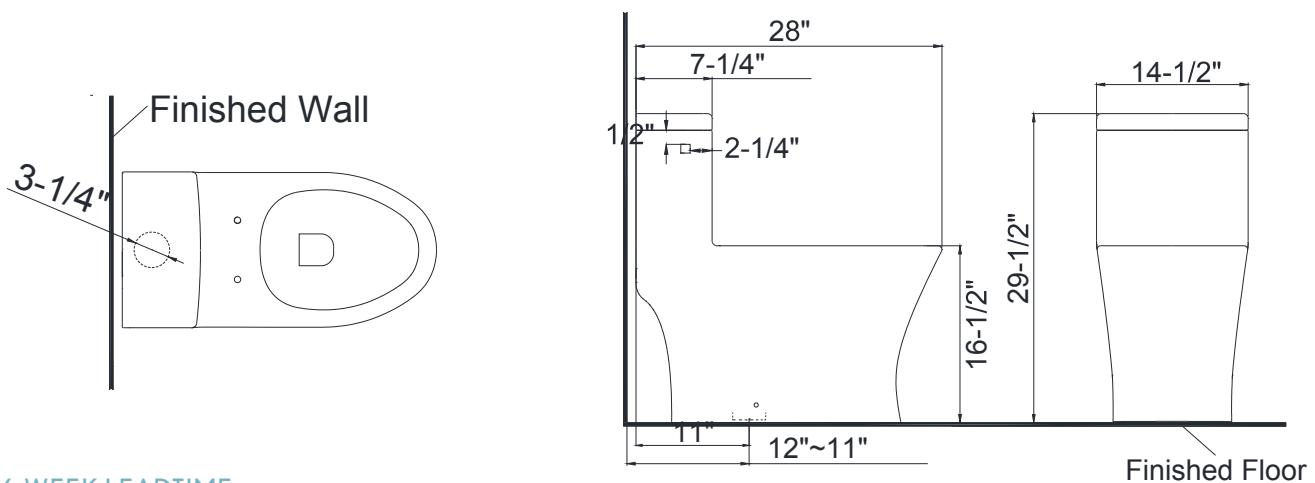
- Size: L 28" x W 14-1/2" x H 29-1/2"
- Seat included
- Single flushing system
- 1.28 GPF (4.8 LPF)
- MAP flushing performance score: 1,000 grams
- Universal-height skirted bowl
- Elongated bowl with US-SEATP3 SoftClose quick-release seat
- Chrome-plated side-mount trip lever
- Concealed, fully-glazed trapway
- 9-1/4" x 6-1/4" water surface size
- 12" rough-in
- IAPMO listed
- Massachusetts code approved
- WaterSense compliant

Crosswater London toilet bowls are coated with anti-bacterial Nanoglaze. The glaze is applied to the ceramic surface during the manufacturing process and is fired on under intense heat. Nanoglaze helps prevent the build-up of bacteria and debris, making cleaning a much easier process.



MPRO one-piece single-flush toilet
US-PRO9005CW-SF **\$799**

- MPRO Trip lever**
- Polished Nickel **US-PRO9005CWSF-PN-LV** **\$135**
 - Satin Nickel **US-PRO9005CWSF-SN-LV** **\$135***
 - Matte Black **US-PRO9005CWSF-MB-LV** **\$135**
 - Unlacquered Brass **US-PRO9005CWSF-B-LV** **\$135***
 - Brushed Brass **US-PRO9005CWSF-BB-LV** **\$135**



***6-WEEK LEADTIME**

MPRO ONE-PIECE DUAL-FLUSH TOILET

Size: L 28" x W 14-1/2" x H 29-1/2"

Seat included

Dual flushing system

1.28 GPF (4.8 LPF) / 1.0 GPF (3.8 LPF)

MAP flushing performance score: 800 grams

Universal-height skirted bowl

Elongated bowl with US-SEATP3 SoftClose quick-release seat

Chrome-plated and white top-mount flush buttons included

Concealed, fully-glazed trapway

9-1/4" x 6-1/4" water surface size

12" rough-in

IAPMO listed

Massachusetts code approved

WaterSense compliant

Crosswater London toilet bowls are coated with anti-bacterial Nanoglaze. The glaze is applied to the ceramic surface during the manufacturing process and is fired on under intense heat. Nanoglaze helps prevent the build-up of bacteria and debris, making cleaning a much easier process.



MPRO one-piece dual-flush toilet
US-PRO9005CW

\$799

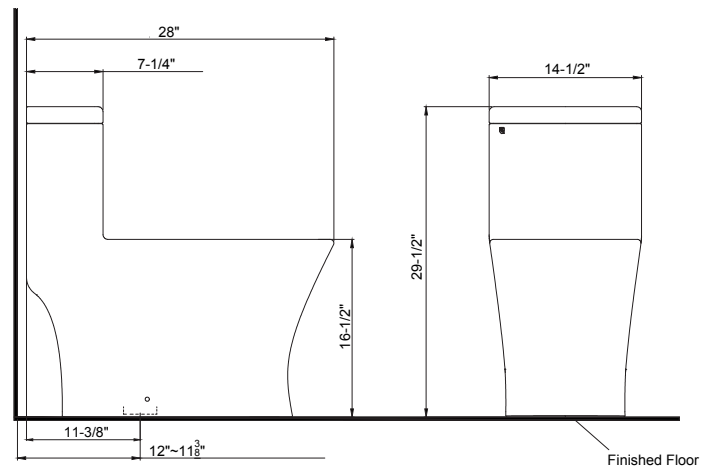
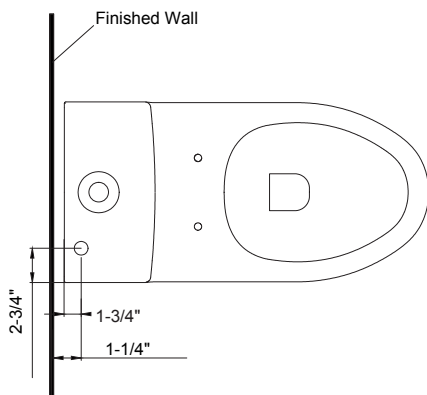
MPRO Button

Polished Chrome

US-PRO9005-BUTTON-C \$20

White

US-PRO9005-BUTTON-WH \$20



MPRO TWO-PIECE SINGLE-FLUSH TOILET

- Size: L 28-1/2" x W 14-3/4" x H 29-1/2"
- Seat included
- Single flushing system
- 1.28 GPF (4.8 LPF)
- MAP flushing performance score: 1,000 grams
- Universal-height skirted bowl
- Elongated bowl with US-SEATP3 SoftClose quick-release seat
- Chrome-plated, left-hand side-mount trip lever
- Concealed, fully-glazed trapway
- 7" x 6" water surface size
- 12" rough-in
- IAPMO listed
- Massachusetts code approved
- WaterSense compliant

Crosswater London toilet bowls are coated with anti-bacterial Nanoglaze. The glaze is applied to the ceramic surface during the manufacturing process and is fired on under intense heat. Nanoglaze helps prevent the build-up of bacteria and debris, making cleaning a much easier process.



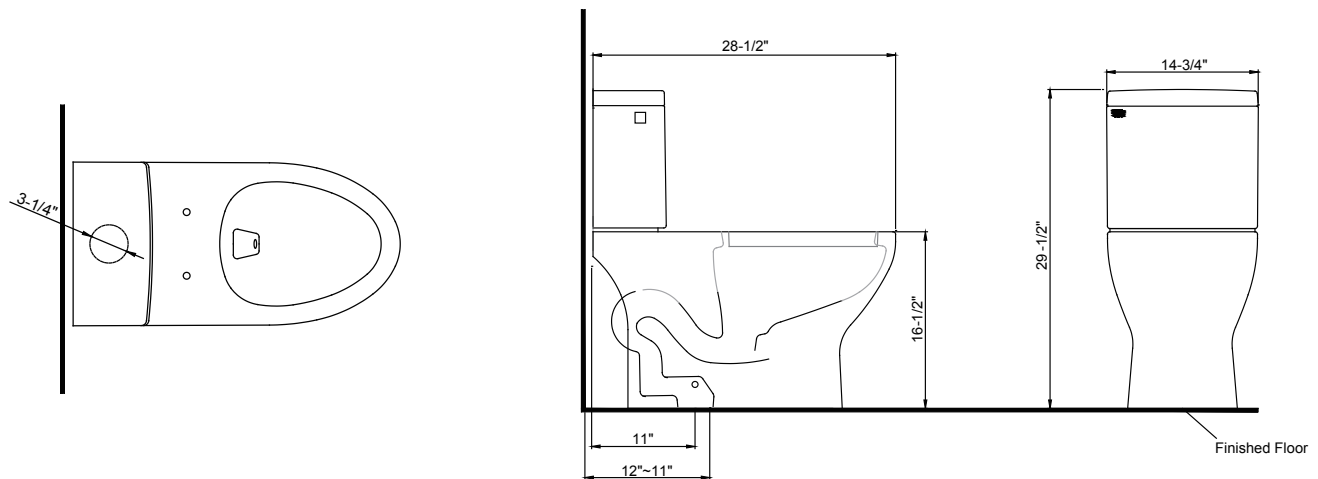
MPRO two-piece single-flush toilet
US-PRO5005CW **\$599**

Trip lever

Polished Nickel	US-TL6995PN	\$50
Matte Black	US-TL6995MB	\$50

SET COMPONENTS

MPRO Bowl	SoftClose QuickRelease	
US-PRO6005CW	Elongated Seat	
\$3200	US-SEATP3	\$99
MPRO Tank		
US-PRO7005CW		\$180



HEIR ONE-PIECE SINGLE-FLUSH TOILET

Size: L 28-1/2" x W 16-1/4" x H 29-1/2"

Seat included

Single flushing system

1.28 GPF (4.8 LPF)

MAP flushing performance score: 1,000 grams

Universal-height skirted bowl

Elongated bowl with US-SEATU8 SoftClose quick-release seat

Chrome-plated, left-hand side-mount trip lever

Concealed, fully-glazed trapway

8-1/4" x 5-1/4" water surface size

12" rough-in

IAPMO listed

Massachusetts code approved

WaterSense compliant

Crosswater London toilet bowls are coated with anti-bacterial Nanoglaze. The glaze is applied to the ceramic surface during the manufacturing process and is fired on under intense heat. Nanoglaze helps prevent the build-up of bacteria and debris, making cleaning a much easier process.



Heir one-piece single-flush toilet

US-COL9005CW-SF

\$849

Trip lever

Polished Nickel

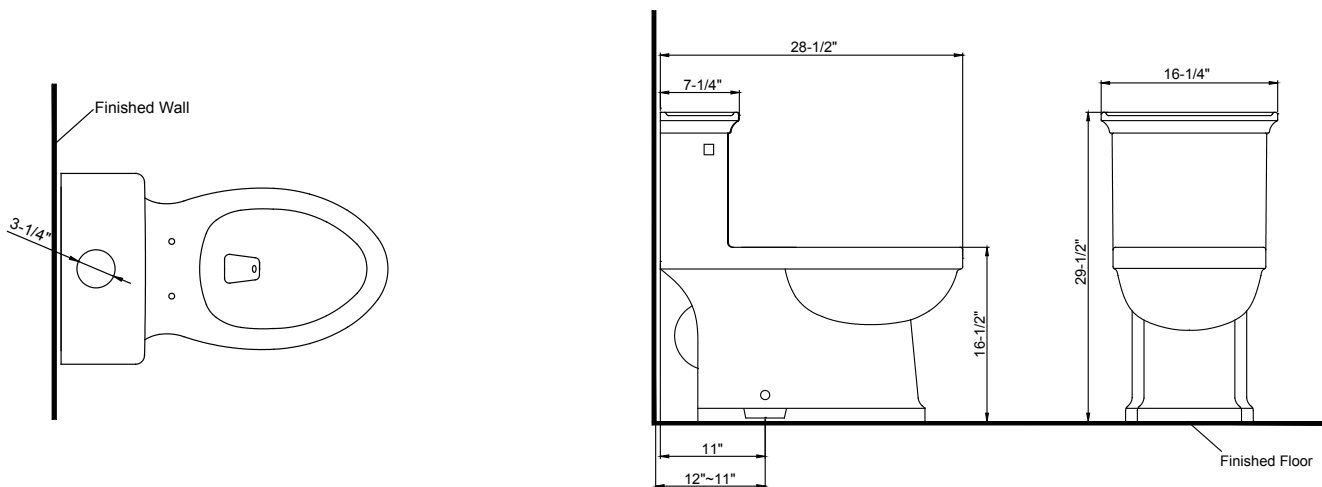
US-TL6995N

\$50

Matte Black

US-TL6995MB

\$50



FLUSH BUTTON (MPRO DUAL-FLUSH)

Polished Chrome	US-PRO9005-BUTTON-C	\$20
White	US-PRO9005-BUTTON-WH	\$20



TRIP LEVER (MPRO SINGLE-FLUSH)

Polished Nickel	US-PRO9005CWSF-PN-LV	\$135
Satin Nickel	US-PRO9005CWSF-SN-LV	\$135*
Matte Black	US-PRO9005CWSF-MB-LV	\$135
Unlacquered Brass	US-PRO9005CWSF-B-LV	\$135*
Brushed Brass	US-PRO9005CWSF-BB-LV	\$135



TRIP LEVER (HEIR ONE-PIECE AND MPRO TWO-PIECE)

Polished Nickel	US-TL6995PN	\$50
Matte Black	US-TL6995MB	\$50

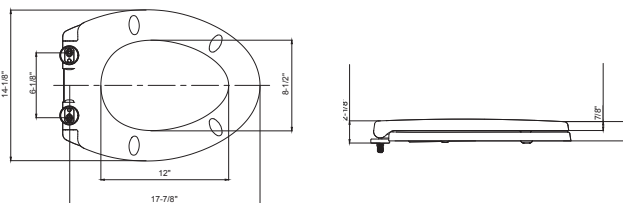


*6-WEEK LEADTIME

SOFTCLOSE, QUICK-RELEASE ELONGATED SEAT

Seat fits all Crosswater London toilets

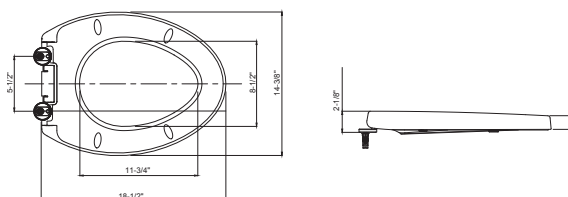
US-SEATU1 **\$99**



SOFTCLOSE, QUICK-RELEASE ELONGATED SEAT

Seat fits all Crosswater London toilets

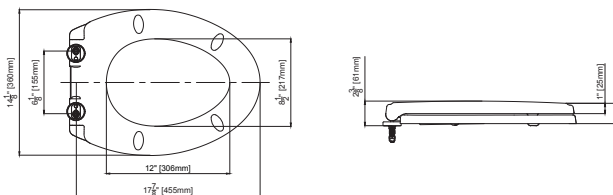
US-SEATP3 **\$99**



SOFTCLOSE, QUICK-RELEASE ELONGATED SEAT

Seat fits all Crosswater London toilets

US-SEATU8 **\$99**





Heir One-piece Toilet (US-COL9005CW-SF)



MPRO Two-piece Toilet (US-PRO5005CW)

TOILETS





MPRO One-piece Single-flush Toilet (US-PRO9005CW-SF)
Leyden Towel Ring in Polished Chrome (14-58-PC)
MPRO 39" Vanity in American Walnut (US-PRO393AW)
Leyden X Widespread Basin Faucet in Polished Chrome
(14X-08-PC)



BASINS



SINGLE OR DOUBLE. ON A PEDESTAL
OR LEGS OF DISTINCTION.

Our basins beckon renewal. Using only the finest vitreous china, Italian fireclay, and brassware components, find long-lasting quality and style in every piece.
Your daily ritual met with uncompromising design and beauty.

ARCADE 24" PEDESTAL BASIN SET

Overall size:

W 23-1/4" x D 20-1/2" x H 34-1/2"

Material: Fireclay

Set comprised of basin and pedestal

Basin is available undrilled, or pre-drilled with one or three faucet holes

Includes both Polished Chrome and Polished Nickel overflow covers

Basin is suitable for wall-hung installation with or without underside support (mounting hardware for wall-hung installation not supplied).

IAPMO listed

Massachusetts code approved



Arcade 24" Undrilled Pedestal Basin Set

US-ARC240PB \$495

Arcade 24" Single-hole Pedestal Basin Set

US-ARC241PB \$495

Arcade 24" Three-hole Pedestal Basin Set

US-ARC243PB \$495

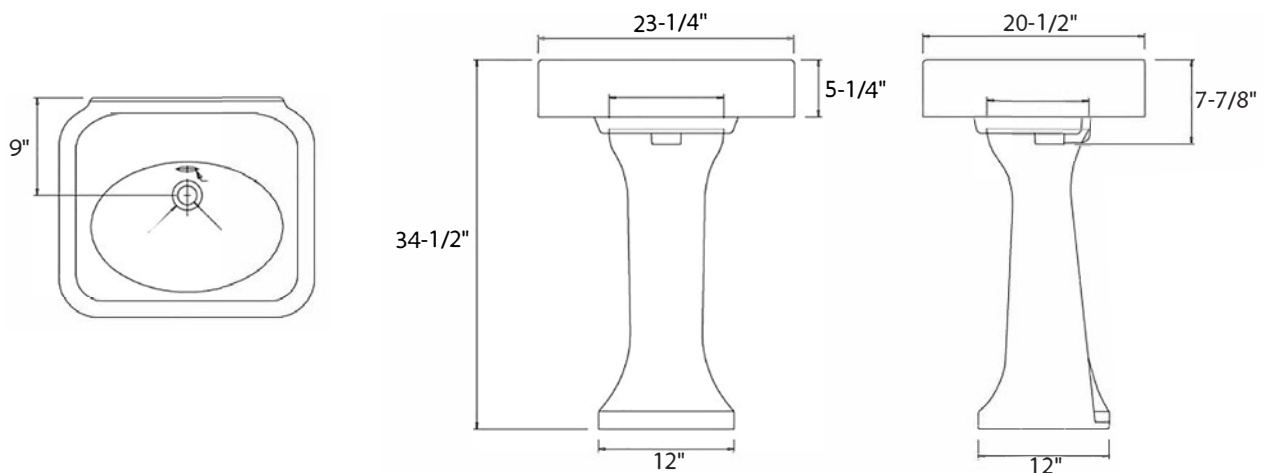
SET COMPONENTS



Arcade 24" Basin

Undrilled	US-ARC600NTH	\$295
Single-hole	US-ARC6001NTH	\$295
Three-hole	US-ARC6003NTH	\$295

Arcade Pedestal Base US-ARC1 \$200



ARCADE 24" CONSOLE SET

Overall size:

W 23-1/4" x D 20-1/2" x H 33"

Material: Fireclay

Set comprised of basin and console legs

Basin is available undrilled, or pre-drilled with one or three faucet holes

Includes both Polished Chrome and Polished Nickel overflow covers

Basin is suitable for wall-hung installation with or without underside support (mounting hardware for wall-hung installation not supplied).

IAPMO listed

Massachusetts code approved



Arcade 24" Undrilled Console Set

US-ARC240CS \$495

Arcade 24" Single-hole Console Set

US-ARC241CS \$495

Arcade 24" Three-hole Console Set

US-ARC243CS \$495

BASINS

SET COMPONENTS



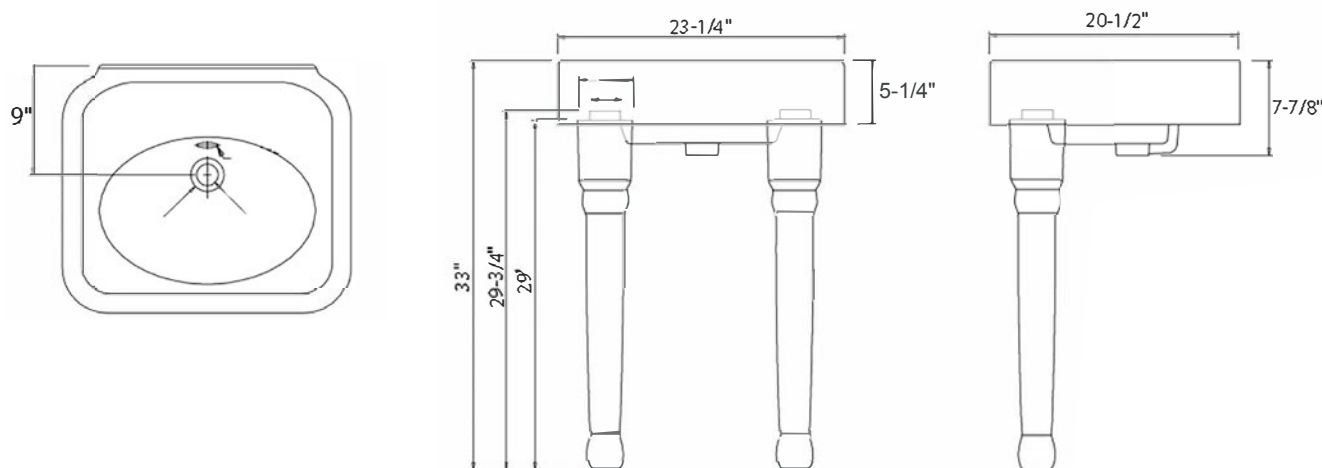
Arcade 24" Basin

Undrilled US-ARC600NTH \$295

Single-hole US-ARC6001NTH \$295

Three-hole US-ARC6003NTH \$295

Arcade console legs (pair) US-ARC2 \$200



ARCADE 36" PEDESTAL BASIN SET

Overall size:

W 35-3/4" x D 21-1/2" x H 33-1/4"

Material: Fireclay

Set comprised of basin and pedestal

Basin is available undrilled, or pre-drilled with one or three faucet holes

Includes both Polished Chrome and Polished Nickel overflow covers

Basin is suitable for wall-hung installation with or without underside support (mounting hardware for wall-hung installation not supplied).

IAPMO listed

Massachusetts code approved



Arcade 36" Undrilled Pedestal Basin Set

US-ARC360PB \$695

Arcade 36" Single-hole Pedestal Basin Set

US-ARC361PB \$695

Arcade 36" Three-hole Pedestal Basin Set

US-ARC363PB \$695

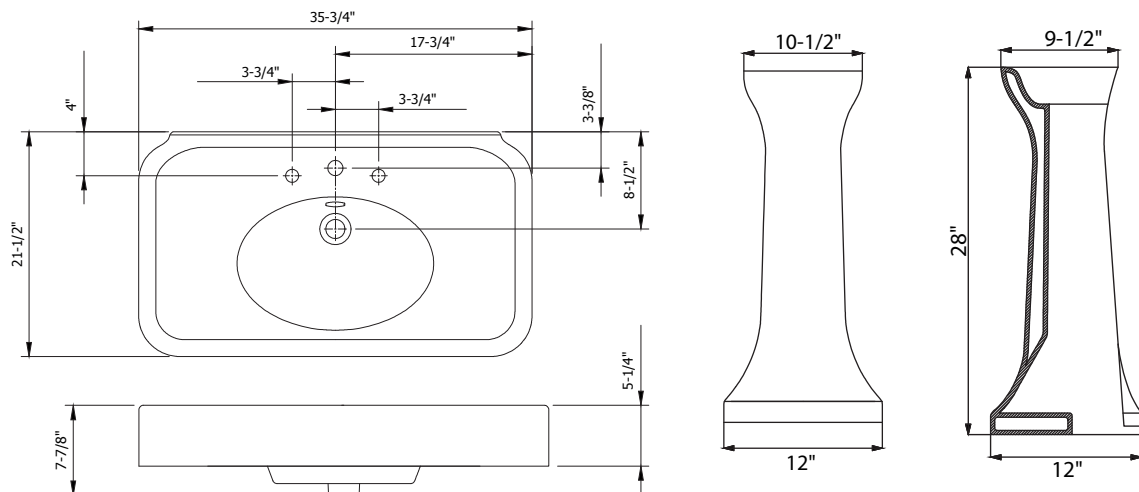
SET COMPONENTS



Arcade 36" Basin

Undrilled	US-ARC900NTH	\$495
Single-hole	US-ARC9001NTH	\$495
Three-hole	US-ARC9003NTH	\$495

Arcade Pedestal Base	US-ARC1	\$200
----------------------	---------	-------



ARCADE 36" BASIN CONSOLE SET

Overall size:

W 35-3/4" x D 21-1/2" x H 33-1/2"

Material: Fireclay

Set comprised of basin and console legs

Basin is available undrilled, or pre-drilled with one or three faucet holes

Includes both Polished Chrome and Polished Nickel overflow covers

Basin is suitable for wall-hung installation with or without underside support (mounting hardware for wall-hung installation not supplied).

IAPMO listed

Massachusetts code approved



Arcade 36" Undrilled Console Set

US-ARC360CS \$695

Arcade 36" Single-hole Console Set

US-ARC361CS \$695

Arcade 36" Three-hole Console Set

US-ARC363CS \$695

BASINS

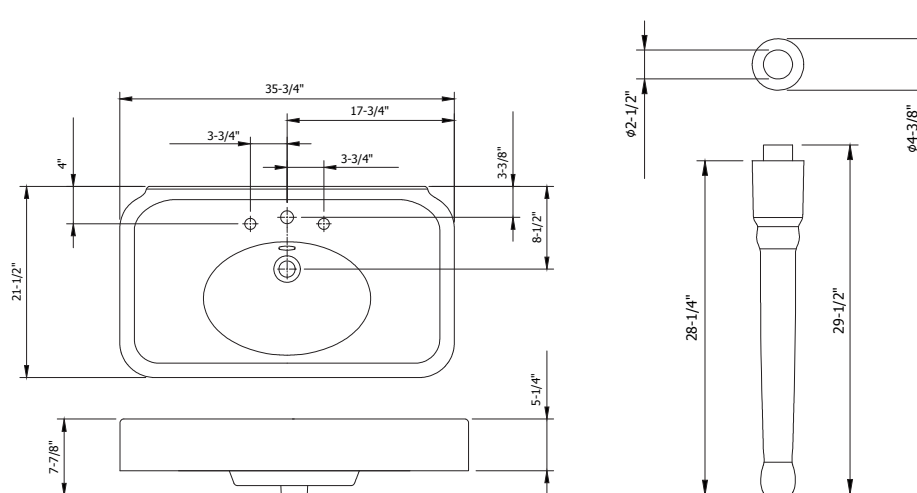
SET COMPONENTS



Arcade 36" Basin

Undrilled	US-ARC900NTH	\$495
Single-hole	US-ARC9001NTH	\$495
Three-hole	US-ARC9003NTH	\$495

Arcade console legs (pair) US-ARC2 \$200



WALDORF 23-5/8" PEDESTAL BASIN SET

Overall size:

W 23-5/8" x D 21-5/8" x H 35-1/2"

Material: Fireclay

Set comprised of basin, pedestal and overflow cover

Basin is pre-drilled with three faucet holes

Basin is suitable for wall-hung installation with or without underside support (mounting hardware for wall-hung installation not supplied).

IAPMO listed

Massachusetts code approved



Waldorf 23-5/8" Pedestal Basin Set with Polished Chrome Overflow

US-WF243PBC \$1400

Waldorf 23-5/8" Pedestal Basin Set with Polished Nickel Overflow

US-WF243PBN \$1420

Waldorf 23-5/8" Pedestal Basin Set with Unlacquered Brass Overflow

US-WF243PBB \$1420

Waldorf 23-5/8" Pedestal Basin Set with Satin Nickel Overflow

US-WF243PBS \$1420



SET COMPONENTS



Waldorf 23-5/8" Three-hole Basin

US-WF0613SCW \$800

Waldorf Pedestal Base

US-WF0101CW \$495



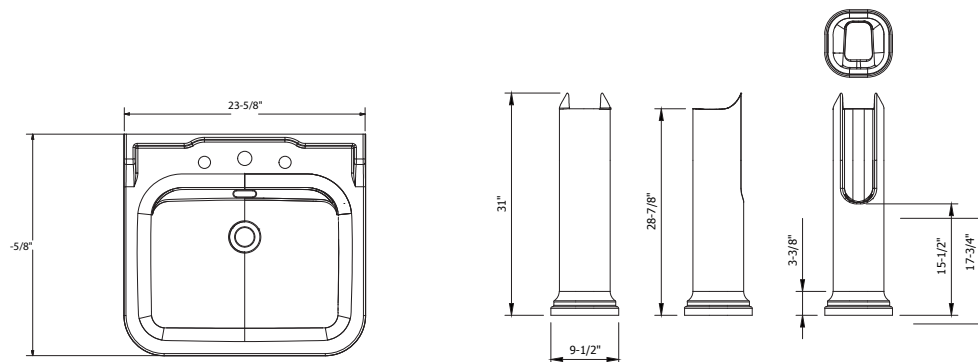
Waldorf Overflow Trim

Polished Chrome **US-WFOVC \$105**

Polished Nickel **US-WFOVN \$125**

Unlacquered Brass **US-WFOVB \$125**

Satin Nickel **US-WFOVS \$125**



***12-WEEK LEADTIME**

WALDORF 31-1/2" BASIN CONSOLE SET

Overall size:

W 31-1/2" x D 21-5/8" x H 35-1/2"

Material: Fireclay

Set comprised of basin, console and overflow cover

Solid brass decorative console with functional bars affixed to the wall

Basin is pre-drilled with three faucet holes

Basin is suitable for wall-hung installation with or without underside support (mounting hardware for wall-hung installation not supplied).

IAPMO listed

Massachusetts code approved



Waldorf 31" Basin Console Set in Polished Chrome

US-WF313CSC \$3070

Waldorf 31" Basin Console Set in Polished Nickel

US-WF313CSN \$3310

Waldorf 31" Basin Console Set in Unlacquered Brass

US-WF313CSB \$3310

Waldorf 31" Basin Console Set in Satin Nickel

US-WF313CSS \$3310



BASINS

SET COMPONENTS



Waldorf 31" Three-hole Basin
US-WF0813SCW \$990

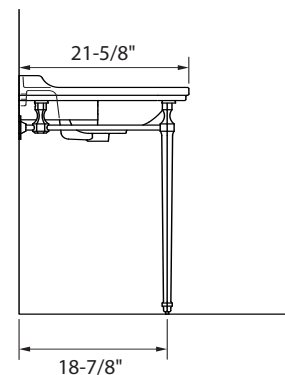
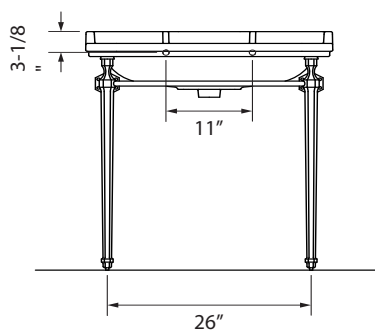
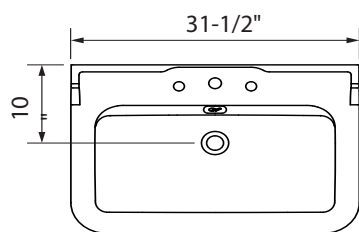
Waldorf 31" Console Legs

Polished Chrome	US-WF80X81C	\$1975
Polished Nickel	US-WF80X81N	\$2195
Unlacquered Brass	US-WF80X81B	\$2195
Satin Nickel	US-WF80X81S	\$2195



Waldorf Overflow Trim

Polished Chrome	US-WFOVC	\$105
Polished Nickel	US-WFOVN	\$125
Unlacquered Brass	US-WFOVB	\$125
Satin Nickel	US-WFOVS	\$125



***12-WEEK LEADTIME**

WALDORF 39" BASIN CONSOLE SET

Overall size:

W 39-3/8" x D 21-5/8" x H 35-1/2"

Material: Fireclay

Set comprised of basin, console and overflow cover

Solid brass decorative console with functional bars affixed to the wall

Basin is pre-drilled with three faucet holes

Basin is suitable for wall-hung installation with or without underside support (mounting hardware for wall-hung installation not supplied).

IAPMO listed

Massachusetts code approved



Waldorf 39" Basin Console Set in Polished Chrome

US-WF393CSC \$3710

Waldorf 39" Basin Console Set in Polished Nickel

US-WF393CSN \$4070

Waldorf 39" Basin Console Set in Unlacquered Brass

US-WF393CSB \$4070

Waldorf 39" Basin Console Set in Satin Nickel

US-WF393CSS \$4070



SET COMPONENTS



Waldorf 39" Three-hole Basin
US-WF1003SCW \$1420

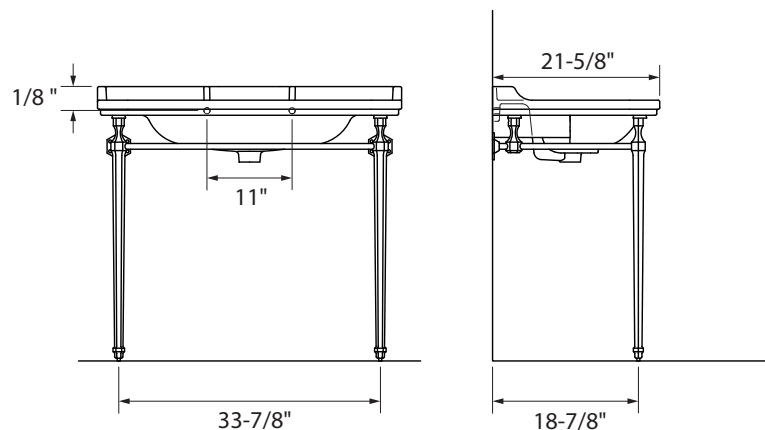
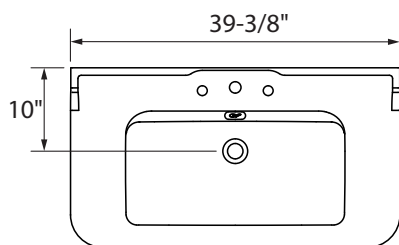
Waldorf 39" Console Legs

Polished Chrome	US-WF100X81C	\$2185
Polished Nickel	US-WF100X81N	\$2525
Unlacquered Brass	US-WF100X81B	\$2525
Satin Nickel	US-WF100X81S	\$2525



Waldorf Overflow Trim

Polished Chrome	US-WFOVC	\$105
Polished Nickel	US-WFOVN	\$125
Unlacquered Brass	US-WFOVB	\$125
Satin Nickel	US-WFOVS	\$125



***12-WEEK LEADTIME**

WALDORF 59" DOUBLE BASIN CONSOLE SET

Overall size:

W 59" x D 21-5/8" x H 35-1/2"

Material: Fireclay

Set comprised of basin, console and overflow cover

Solid brass decorative console with functional bars affixed to the wall

Basins are pre-drilled with three faucet holes

Basin is suitable for wall-hung installation with or without underside support (mounting hardware for wall-hung installation not supplied).

IAPMO listed

Massachusetts code approved



Waldorf 59" Basin Console Set in Polished Chrome

US-WF593CSC \$6040

Waldorf 59" Basin Console Set in Polished Nickel

US-WF593CSN \$6390

Waldorf 59" Basin Console Set in Unlacquered Brass

US-WF593CSB \$6390

Waldorf 59" Basin Console Set in Satin Nickel

US-WF593CSS \$6390



BASINS

SET COMPONENTS



Waldorf 59" Three-hole Double Basin
US-WF1503SCW \$2640

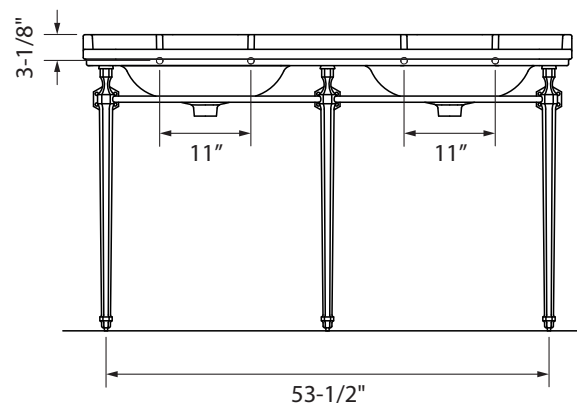
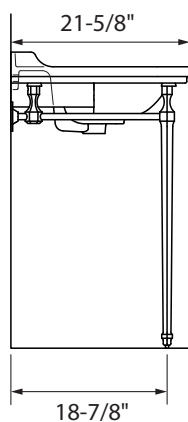
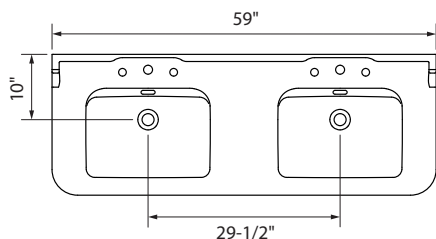
Waldorf 59" Double Basin Console Legs

Polished Chrome	US-WF150X81C	\$3295
Polished Nickel	US-WF150X81N	\$3625
Unlacquered Brass	US-WF150X81B	\$3625
Satin Nickel	US-WF150X81S	\$3625



Waldorf Overflow Trim

Polished Chrome	US-WFOVC	\$105
Polished Nickel	US-WFOVN	\$125
Unlacquered Brass	US-WFOVB	\$125
Satin Nickel	US-WFOVS	\$125



***12-WEEK LEADTIME**

EDWARDIAN 22" PEDESTAL BASIN SET

Overall size:

W 22" x D 18-1/2" x H 35-1/2"

Material: Vitreous china

Set comprised of basin and pedestal

Basin is pre-drilled for one or three faucet holes

Basin is suitable for wall-hung installation with or without underside support (mounting hardware for wall-hung installation not supplied).

IAPMO listed

Massachusetts code approved



Edwardian 22" Single-hole Pedestal Basin Set

US-EDW221PB \$425

Edwardian 22" Three-hole Pedestal Basin Set

US-EDW223PB \$425

SET COMPONENTS



Edwardian 22" Basin

Single-hole

US-B41TH

\$325

Three-hole

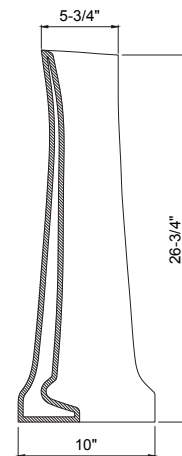
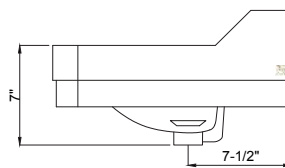
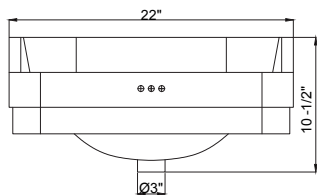
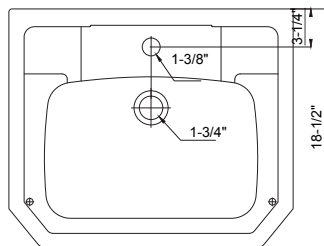
US-B43TH

\$325

Edwardian Pedestal Base

US-P1

\$100



CLASSIC 25" PEDESTAL BASIN SET

Overall size:

W 25-5/8" x D 22-3/8" x H 36-1/4"

Material: Vitreous china

Set comprised of basin and pedestal

Basin is pre-drilled for one or three faucet holes

Basin is not suitable for wall-hung installation without underside support (mounting hardware for wall-hung installation not supplied).

IAPMO listed

Massachusetts code approved



Classic 25" Single-hole Pedestal Basin Set

US-CL251PB **\$525**

Classic 25" Three-hole Pedestal Basin Set

US-CL253PB **\$525**

BASINS

SET COMPONENTS

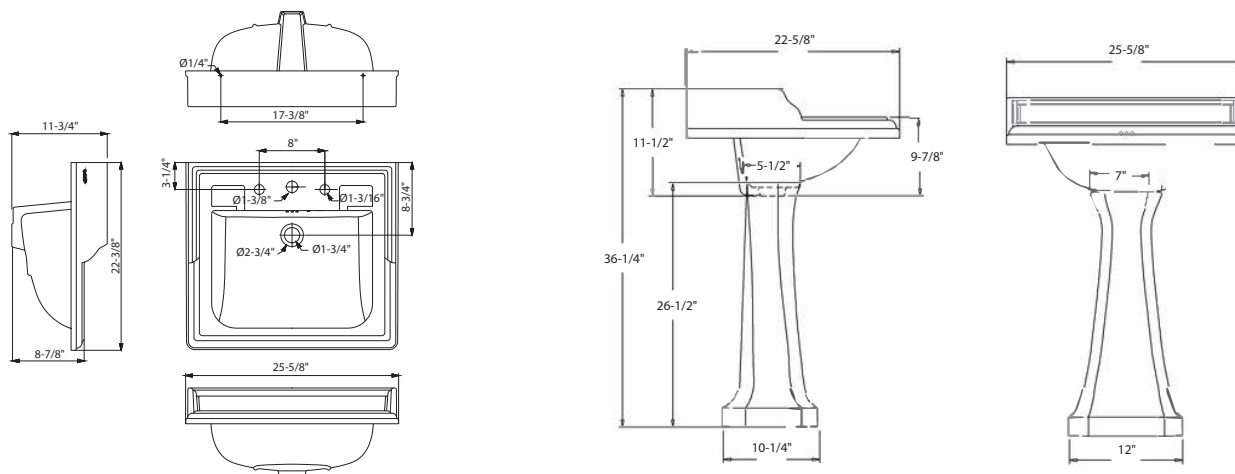


Classic 25" Basin

Single-hole **US-B151TH** **\$425**

Three-hole **US-B153TH** **\$425**

Classic Pedestal Base **US-P6** **\$105**



CLASSIC 25" BASIN CONSOLE SET

Overall size:

W 25-5/8" x D 22-3/8" x H 35-1/8"

Material: Vitreous china

Set comprised of basin and metal console

Solid brass decorative console with functional bars affixed to the wall

Basin is pre-drilled for one or three faucet holes

Basin is not suitable for wall-hung installation without underside support

IAPMO listed

Massachusetts code approved



Classic 25" Single-hole Console Set in Polished Chrome

US-CL251CSC \$975

Classic 25" Three-hole Basin Console Set in Polished Chrome

US-CL253CSC \$975

Classic 25" Single-hole Console Set in Polished Nickel

US-CL251CSN \$1085

Classic 25" Three-hole Basin Console Set in Polished Nickel

US-CL253CSN \$1085

SET COMPONENTS

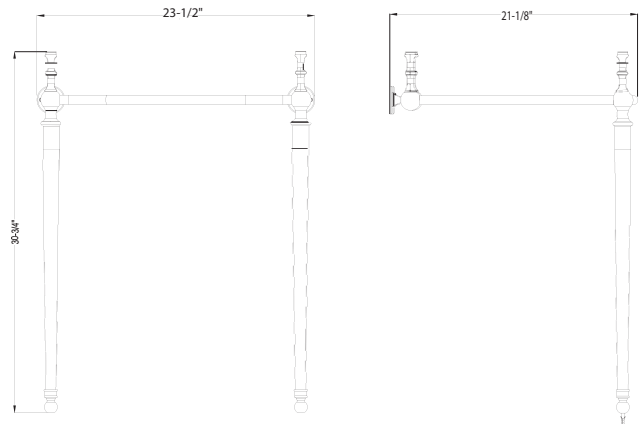
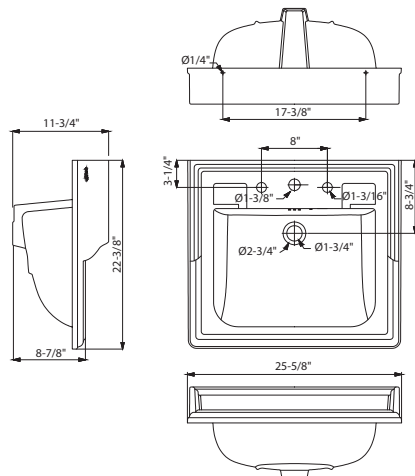


Classic 25" Basin

Single-hole	US-B151TH	\$425
Three-hole	US-B153TH	\$425

Classic 24" Basin Console Legs

Polished Chrome	US-T49ACHR	\$550
Polished Chrome	US-T49ANKL	\$660



MPRO BASINS

Basin sizes:

W 23-5/8" x D 17-3/4" x H 4"

W 27-1/2" x D 17-3/4" x H 4"

W 39-3/8" x D 17-3/4" x H 4"

W 47-1/4" x D 17-3/4" x H 4"

Material: Fireclay

Basin is available undrilled, or pre-drilled with one or three faucet holes

Basins are not suitable for wall-hung installation without underside support (mounting hardware for wall-hung installation not supplied).

IAPMO listed

Massachusetts code approved



MPRO 24" Basin

Undrilled	US-PRO240	\$835
One-hole	US-PRO241	\$835
Three-hole	US-PRO243	\$835



MPRO 28" Basin

Undrilled	US-PRO280	\$925
One-hole	US-PRO281	\$925
Three-hole	US-PRO283	\$925



MPRO 39" Basin

Undrilled	US-PRO390	\$1045
One-hole	US-PRO391	\$1045
Three-hole	US-PRO393	\$1045



MPRO 48" Basin

Undrilled	US-PRO480	\$1465
One-hole	US-PRO481	\$1465
Three-hole	US-PRO483	\$1465

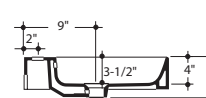
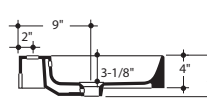
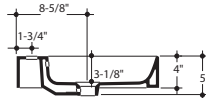
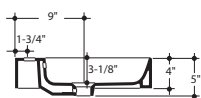
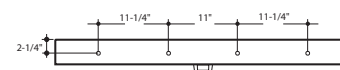
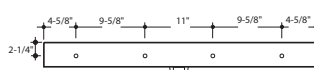
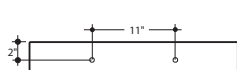
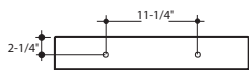
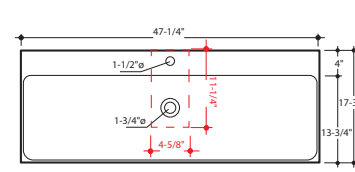
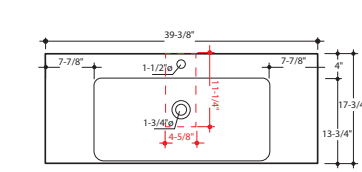
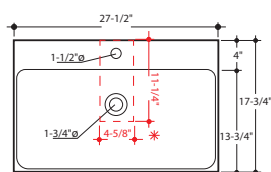
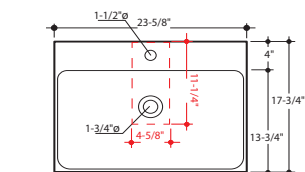


24"

28"

39"

48"





Arcade 36" Three-hole Console Set (US-ARC363CS)



BASINS

Taos Widespread Basin Faucet in Matte Black (17-08-MB)
MPRO-28" Basin (US-PRO283) on custom floating vanity



MPRO 28" Vanity in American Walnut (US-PRO281AW)

Wisp Single-hole Basin Faucet in Polished Chrome
(US-WP110DPC)

Wisp Towel Holder in Polished Chrome (US-WP013C)

BATH FURNITURE



UNDERSTATED LUXURY WITH SPACE FOR ALL THE ESSENTIALS

Meticulous craftsmanship, elegant design, and generous storage define our modern wall-hung vanities. Warm wood or sleek finishes combine with the ultimate in functional details to create style and harmony in the bathroom.

BATH
FURNITURE



MPRO 39" Basin and Vanity in Driftwood (US-PRO393DW)

Taos Widespread Basin Faucet in Satin Nickel (17-08-SN)

MPRO 24" VANITY

Set includes vanity, basin and top-drawer organizer

Space-saving design offers clean, streamlined look

Two drawers provide ample storage

SlowClose hardware

Includes mounting brackets

Basin size: 23-5/8" W x 17-3/4" D x 4" H

Vanity size: 23-1/4" W x 17-3/8" D x 20-1/2" H

Basin material: Fireclay

Vanity material: Medium-density fiberboard (MDF) with lacquer finish (White Gloss and Storm Grey Matte), veneer finish (American Walnut), melamine finish (Driftwood)

Basin is available undrilled, or pre-drilled with one or three faucet holes

Top-drawer organizer is included.

Base-drawer organizers are available (sold separately).

Vanity with undrilled basin and top-drawer organizer

US-PRO240XX \$2195

Vanity with single-hole basin and top-drawer organizer

US-PRO241XX \$2195

Vanity with three-hole basin and top-drawer organizer

US-PRO243XX \$2195

Replace "XX" with finish code, indicated on the right.



White Gloss

WG



Storm Grey Matte

SG



American Walnut

AW



Driftwood

DW

SET COMPONENTS

MPRO 24" Vanity

American walnut

US-PRO24DAW+ \$1420

Driftwood

US-PRO24DDW+ \$1420

Storm grey matte

US-PRO24DSG+ \$1420

White Gloss

US-PRO24DWG+ \$1420

MPRO 24" Basin

Undrilled

US-PRO240 \$835

Single-hole

US-PRO241 \$835

Three-hole

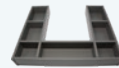
US-PRO243 \$835

MPRO Top Drawer Organizer

Top drawer,
7 compartments

US-PROORGTANT \$150

See page 361 for detailed information



OPTIONAL BASE DRAWER ORGANIZERS

Base drawer, 1 compartment
US-PROORGB1ANT \$100



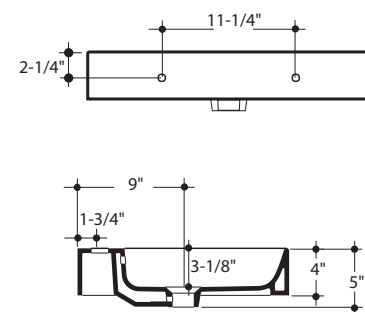
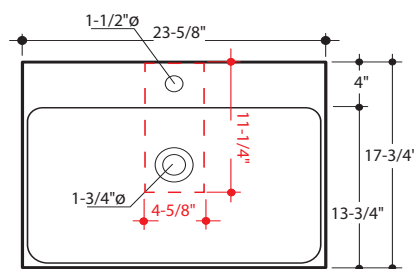
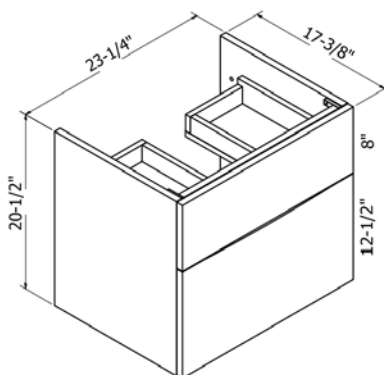
Base drawer, 3 compartments
US-PROORGB3ANT \$140



Base drawer, 4 compartments
US-PROORGB4ANT \$150



See page 361 for detailed information



MPRO 39" Basin and Vanity in White Gloss (US-PRO393WG)
Taos Widespread Basin Faucet in Satin Nickel (17-08-SN)
Taos Paper Holder in Satin Nickel (17-58-SN)
Taos 24" Towel Bar in Satin Nickel (17-65-SN)
MPRO Single-flush Toilet (US-PRO9005CW-SF)



MPRO 28" VANITY

Set includes vanity, basin and top-drawer organizer

Space-saving design offers clean, streamlined look

Two drawers provide ample storage

SlowClose hardware

Includes mounting brackets

Basin size: 27-1/2" W x 17-3/4" D x 4" H

Vanity size: 27-1/8" W x 17-3/8" D x 20-1/2" H

Basin material: Fireclay

Vanity material: Medium-density fiberboard (MDF) with lacquer finish (White Gloss and Storm Grey Matte), veneer finish (American Walnut), melamine finish (Driftwood)

Basin is available undrilled, or pre-drilled with one or three faucet holes

Top-drawer organizer is included.

Base-drawer organizers are available (sold separately).



White Gloss

WG



Storm Grey Matte

SG



American Walnut

AW



Driftwood

DW

Vanity with undrilled basin and top-drawer organizer

US-PRO280XX \$2385

Vanity with single-hole basin and top-drawer organizer

US-PRO281XX \$2385

Vanity with three-hole basin and top-drawer organizer

US-PRO283XX \$2385

Replace "XX" with finish code, indicated on the right.

SET COMPONENTS

MPRO 28" Vanity

American walnut

US-PRO28DAW+ \$1530

Driftwood

US-PRO28DDW+ \$1530

Storm grey matte

US-PRO28DSG+ \$1530

White Gloss

US-PRO28DWG+ \$1530

MPRO 28" Basin

Undrilled

US-PRO280 \$925

Single-hole

US-PRO281 \$925

Three-hole

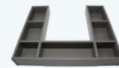
US-PRO283 \$925

MPRO Top Drawer Organizer

Top drawer,
7 compartments

US-PROORGTANT \$150

See page 361 for detailed information



OPTIONAL BASE DRAWER ORGANIZERS

Base drawer, 1 compartment

US-PROORGB1ANT \$100



Base drawer, 3 compartments

US-PROORGB3ANT \$140

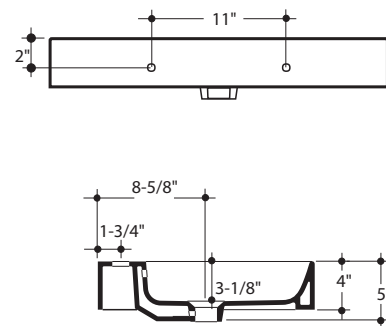
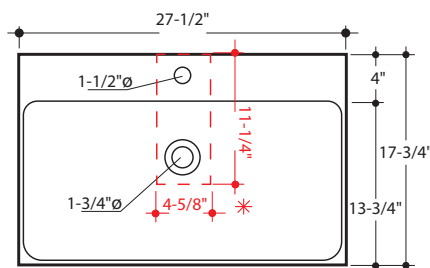
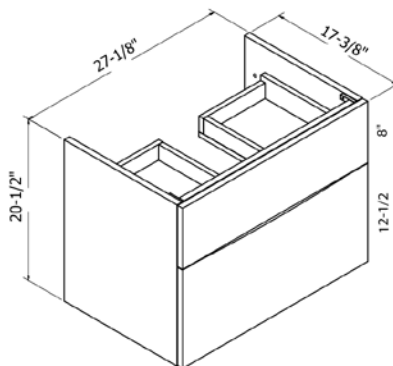


Base drawer, 4 compartments

US-PROORGB4ANT \$150



See page 361 for detailed information



BATH
FURNITURE



MPRO 39" Basin and Vanity in American Walnut
(US-PRO393AW)

Leyden Widespread Basin Faucet with Cross Handles
in Polished Chrome (14X-08-PC)

MPRO 39" VANITY

Set includes vanity, basin and top-drawer organizer

Space-saving design offers clean, streamlined look

Two drawers provide ample storage

SlowClose hardware

Includes mounting brackets

Basin size: 39-3/8" W x 17-3/4" D x 4" H

Vanity size: 39" W x 17-3/8" D x 20-1/2" H

Basin material: Fireclay

Vanity material: Medium-density fiberboard (MDF) with lacquer finish (White Gloss and Storm Grey Matte), veneer finish (American Walnut), melamine finish (Driftwood)

Basin is available undrilled, or pre-drilled with one or three faucet holes

Top drawer organizer is included.

Base drawer organizers are available (sold separately).

Vanity with undrilled basin and top drawer organizer

US-PRO390XX \$2725

Vanity with single-hole basin and top drawer organizer

US-PRO391XX \$2725

Vanity with three-hole basin and top drawer organizer

US-PRO393XX \$2725

Replace "XX" with finish code, indicated on the right.



White Gloss

WG



Storm Grey Matte

SG



American Walnut

AW



Driftwood

DW

SET COMPONENTS

MPRO 39" Vanity

American walnut

US-PRO39DAW+ \$1750

Driftwood

US-PRO39DDW+ \$1750

Storm grey matte

US-PRO39DSG+ \$1750

White Gloss

US-PRO39DWG+ \$1750

MPRO 39" Basin

Undrilled

US-PRO390 \$1045

Single-hole

US-PRO391 \$1045

Three-hole

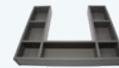
US-PRO393 \$1045

MPRO Top Drawer Organizer

Top drawer,
7 compartments

US-PROORGTANT \$150

See page 361 for detailed information



OPTIONAL BASE DRAWER ORGANIZERS

Base drawer, 1 compartment

US-PROORGB1ANT \$100



Base drawer, 3 compartments

US-PROORGB3ANT \$140

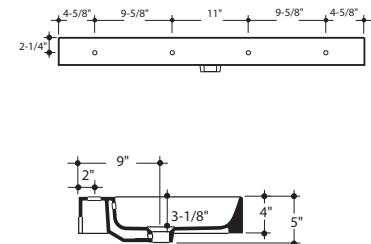
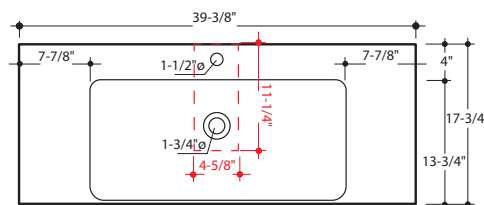
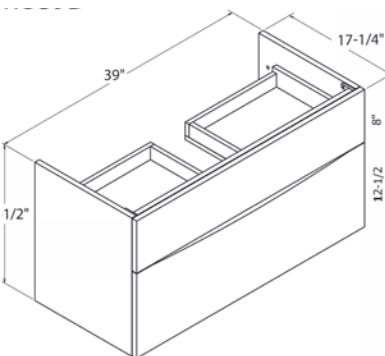


Base drawer, 4 compartments

US-PROORGB4ANT \$150



See page 361 for detailed information



MPRO 48" Basin and Vanity in Storm Grey Matte
(US-PRO483SG)

Leyden Widespread Basin Faucet with Cross Handles
in Polished Nickel (14X-08-PN)

Leyden 18" Towel Bar in Polished Nickel (14-65-PN)

Leyden Paper Holder in Polished Nickel (14-58-PN)

MPRO 48" VANITY

Set includes vanity, basin and top-drawer organizer

Space-saving design offers clean, streamlined look

Two drawers provide ample storage

SlowClose hardware

Includes mounting brackets

Basin size: 47-1/4" W x 17-3/4" D x 4" H

Vanity size: 46-7/8" W x 17-3/8" D x 20-1/2" H

Basin material: Fireclay

Vanity material: Medium-density fiberboard (MDF) with lacquer finish (White Gloss and Storm Grey Matte), veneer finish (American Walnut), melamine finish (Driftwood)

Basin is available undrilled, or pre-drilled with one or three faucet holes

Top-drawer organizer is included.

Base-drawer organizers are available (sold separately)

Vanity with undrilled basin and top-drawer organizer

US-PRO480XX \$3245

Vanity with single-hole basin and top-drawer organizer

US-PRO481XX \$3245

Vanity with three-hole basin and top-drawer organizer

US-PRO483XX \$3245

Replace "XX" with finish code, indicated on the right.



White Gloss

WG



Storm Grey Matte

SG



American Walnut

AW



Driftwood

DW

SET COMPONENTS

MPRO 48" Vanity

American walnut

US-PRO48DAW+ \$1860

Driftwood

US-PRO48DDW+ \$1860

Storm grey matte

US-PRO48DSG+ \$1860

White Gloss

US-PRO48DWG+ \$1860

MPRO 48" Basin

Undrilled

US-PRO480 \$1465

Single-hole

US-PRO481 \$1465

Three-hole

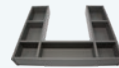
US-PRO483 \$1465

MPRO Top Drawer Organizer

Top drawer,
7 compartments

US-PROORGTANT \$150

See page 361 for detailed information



OPTIONAL BASE DRAWER ORGANIZERS

Base drawer, 1 compartment

US-PROORGB1ANT \$100



Base drawer, 3 compartments

US-PROORGB3ANT \$140

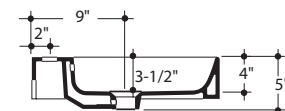
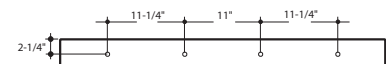
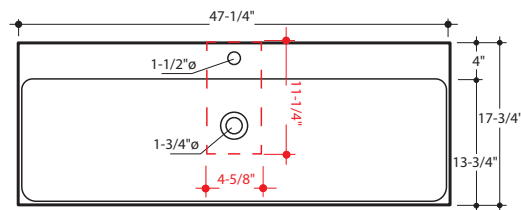
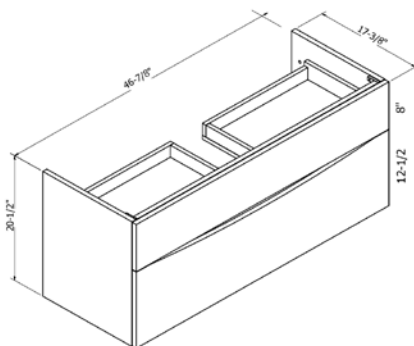


Base drawer, 4 compartments

US-PROORGB4ANT \$150



See page 361 for detailed information



BATH
FURNITURE



MPRO DRAWER ORGANIZERS

Drawer organizers for the MPRO vanities

Solid beech construction

Anthracite color to complement the drawer interior

Dovetail joints for durability

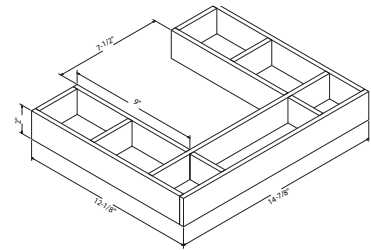
Top Drawer, 7 compartments

Size: 14-7/8" W x 12-1/8" D x 2" H

US-PROORTANT **\$150**

Note:

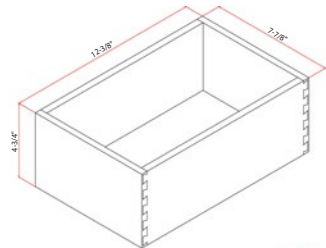
This model is included in all vanity sets as standard.



Base Drawer, 1 compartment

Size: 12-3/8" W x 7-7/8" D x 4-3/4" H

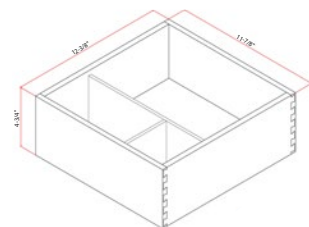
US-PROORGB1ANT **\$100**



Base Drawer, 3 compartments

Size: 12-3/8" W x 11-7/8" D x 4-3/4" H

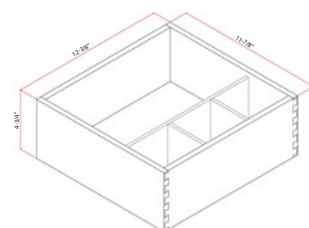
US-PROORGB3ANT **\$140**



Base Drawer, 4 compartments

Size: 12-3/8" W x 11-7/8" D x 4-3/4" H

US-PROORGB4ANT **\$150**



BATHTUBS



STRIKING AND POLISHED, SET THE STAGE WITH BATHTUBS OF DISTINCTION

At the core of our collection is enduring design and groundbreaking materials. Every Crosswater London bathtub is engineered for long-lasting beauty and exceptional performance. From classic to modern, Crosswater London bathtubs anchor the bathroom in brilliance and style.

DUROCOAT® MATERIAL

The main component of DUROCOAT material is genuine dolomitic marble, a metamorphic rock of natural transformation estimated to be over 500 million years old. Consisting of 96% calcium magnesium carbonate, a natural mineral, the powder is produced by disintegrating and purifying the marble to create this groundbreaking material.

BEAUTY

The unique physical properties of DUROCOAT ensure great reliability in manufacturing complex shapes. This is evident in the crisp details of the Waldorf bath. DUROCOAT's high-performance material protects the surface and ensures a flawlessly smooth finish for years to come.

STRENGTH & STYLE

With its unique technological properties, DUROCOAT demonstrates a 35% increase in durability over comparable materials. Fully de-aerated, this resilient material forms a uniform core structure from layers of identical density. Made from the finest materials, Crosswater London bathtubs are warm to the touch with brilliant white color and high-gloss sheen. Scratch and stain-resistant with a solid and tough surface, every tub is protected by our exclusive sanitary gelcoat. Extremely hygienic, easy-to-clean surfaces prevent the build-up of bacteria and dirt, resulting in a safer bath environment. Relax and enjoy.

PEACE OF MIND

Every bathtub is packaged to ensure safe delivery.

- Protective film is applied to the surface of the bath
- Foam is wrapped around the edges
- A plastic bag is wrapped around the bath
- The bath is placed in a unique carrying bag with handles on each side. This bag allows the bath to be easily carried to place, minimizing risk of damage
- The fully-protected bath is then placed on a thick cardboard surface on a wooden platform
- The bath is encased in a 1/2"-thick cardboard box with reinforced corners and honeycomb insulation which offers outstanding unidirectional compression resistance during transport

CLEARSTONE MATERIAL

ClearStone is a milled sedimentary stone compound with molded polyester polymer coating. The coating is molded onto the bath surface (not painted) thus ensuring long-lasting performance in appearance, color, stability and resistance to scratching or cracking.

BEAUTY

ClearStone allows designers more scope to soften the outlines and details of a space with bathtubs that feature elegantly tapering edge details and an overall softer appearance with clean, dynamic lines. Each ClearStone tub is hand-polished for over ten hours. ClearStone material has a lustrous finish across modern and classic designs.

STRENGTH & STYLE

The composition of ClearStone creates a tough and hard-wearing compound ideally suited to modern demands for exceptional performance and endurance. Being a molded coating, ClearStone high-gloss bathtubs have the highest resistance to accidental damage or thermal degradation.



BATHTUBS



WALDORF FREESTANDING BATHTUB

Size: L 64-3/4" x W 31-3/8" x H 23-5/8"

Constructed of DUROCOAT® cast mineral marble

Generous size and center drain position comfortably accommodates two bathers

Water depth: 14"

Capacity: 78 gallons

Displaced capacity: 60 gallons

Weight: 370 lbs

Weight with water: 1,108 lbs

IAPMO listed

Massachusetts code approved

Waste included: polished chrome or polished nickel

For installation over a finished floor, please order ITD5135 Island Tub Drain (sold separately)

Winner of the Readers' Choice Award in the Product Design category at the 2018 Hamptons Cottages & Gardens IDA Awards



White with polished chrome waste

US-WF_FSBATH-C

\$6995

White with polished nickel waste

US-WF_FSBATH-N

\$6995



INCLUDED WASTE AND OVERFLOW

Polished Chrome

US-CW15C Incl.

Polished Nickel

US-CW15N Incl.



See page 401 for detailed information

RECOMMENDED DRAIN ADAPTOR

Island Tub Drain Adapter

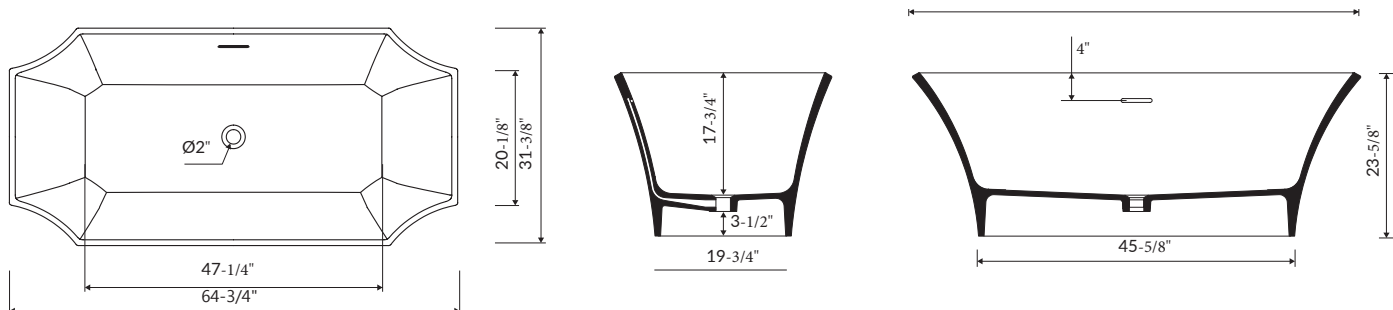
For installation over a finished floor

ITD5135 \$355

This item is highly recommended for ease of installation.



See page 401 for detailed information



BATHTUBS



WALDORF BACK-TO-WALL BATHTUB

Size: L 65-3/4" x W 34-1/2" x H 23-5/8"

Constructed of DUROCOAT® cast mineral marble

Sits flush against the wall

Ledge provides platform for deck-mount tub filler

Ledge can be drilled for two, three, four or five holes for tub filler (supplied undrilled)

Generous size and center drain position comfortably accommodates two bathers

Water depth: 14"

Capacity: 72 gallons

Displaced capacity: 55 gallons

Weight: 385 lbs

Weight with water: 1,172 lbs

IAPMO listed

Massachusetts code approved

Required waste & overflow sold separately

For installation over a finished floor, please order ITD5135 Island Tub Drain (sold separately)



White

US-WF_BTWBATH

\$5495



REQUIRED WASTE & OVERFLOW

Clic Clac Tub Waste & Overflow Assembly

Polished Chrome

US-BTW0201C **\$215**

Polished Chrome

US-BTW0201N **\$245**

Satin Nickel

US-BTW0201V **\$325**



Cable Drive Tub Waste & Overflow Assembly

Polished Chrome

US-BTW0241C **\$245**

Polished Nickel

US-BTW0241N **\$275**

Satin Nickel

US-BTW0241V **\$365**



Island Tub Drain Adapter

For installation over a finished floor

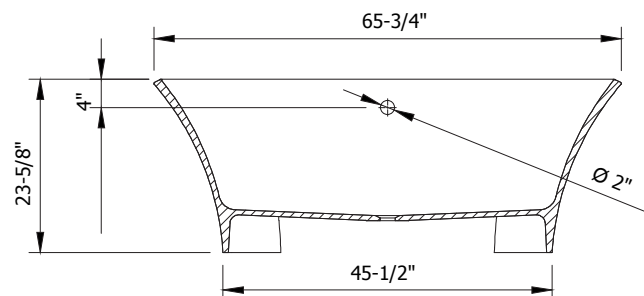
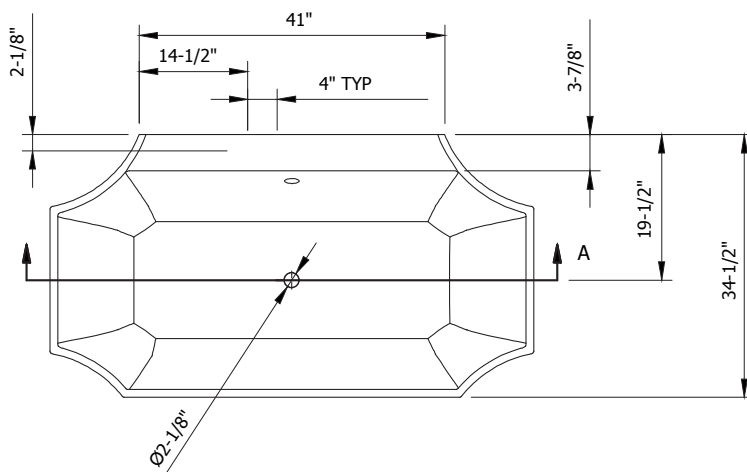
ITD5135 **\$355**

This item is highly recommended for ease of installation.



See pages 400 & 401 for detailed information

BATH TUBS





BALTHAZAR BATHTUB WITH POLISHED STAINLESS EXTERIOR

Size: L 66" x W 30" x H 28"

Constructed of ClearStone material which is engineered to resist stain, retain heat and minimize maintenance

Generous size and center drain position comfortably accommodates two bathers

Water depth: 16-1/4"

Capacity: 62 gallons

Displaced capacity: 43 gallons

Weight: 244 lbs

Weight with water: 703 lbs

IAPMO listed

Massachusetts code approved

Required waste & overflow sold separately

For installation over a finished floor, please order ITD5135 Island Tub Drain (sold separately)



White with polished stainless steel exterior
US-N25CS

\$8495



REQUIRED WASTE & OVERFLOW

Traditional Trim Exposed Bath Waste & Overflow

Polished Chrome	US-CW11C	\$395	Unlacquered Brass	US-CW11B	\$695*
Polished Nickel	US-CW11N	\$495	Brushed Brass	US-CW11BB	\$995*
Satin Nickel	US-CW11S	\$695*	Brushed Black Chrome	US-CW11BBC	\$695*
Matte Black	US-CW11MB	\$695*	Brushed Nickel	US-CW11BN	\$695*



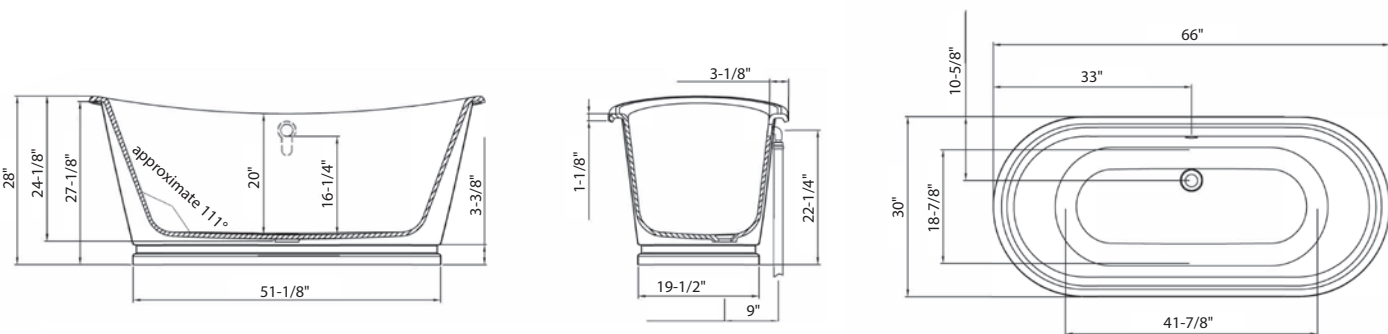
Island Tub Drain Adapter

For installation over a finished floor
ITD5135 **\$355**

This item is highly recommended for ease of installation.



See pages 399 & 401 for detailed information



***6-WEEK LEADTIME**

BATHTUBS



BALTHAZAR BATHTUB WITH POLISHED NICKEL EXTERIOR

Size: L 66" x W 30" x H 28"

Constructed of ClearStone material which is engineered to resist stain, retain heat and minimize maintenance

Generous size and center drain position comfortably accommodates two bathers

Water depth: 16-1/4"

Capacity: 62 gallons

Displaced capacity: 43 gallons

Weight: 244 lbs

Weight with water: 703 lbs

Required waste & overflow sold separately

For installation over a finished floor, please order ITD5135 Island Tub Drain (sold separately)



White with polished nickel exterior
US-N25NCS

\$8495

REQUIRED WASTE & OVERFLOW

Traditional Trim Exposed Bath Waste & Overflow

Polished Chrome	US-CW11C	\$395	Unlacquered Brass	US-CW11B	\$695*
Polished Nickel	US-CW11N	\$495	Brushed Brass	US-CW11BB	\$995*
Satin Nickel	US-CW11S	\$695*	Brushed Black Chrome	US-CW11BBC	\$695*
Matte Black	US-CW11MB	\$695*	Brushed Nickel	US-CW11BN	\$695*



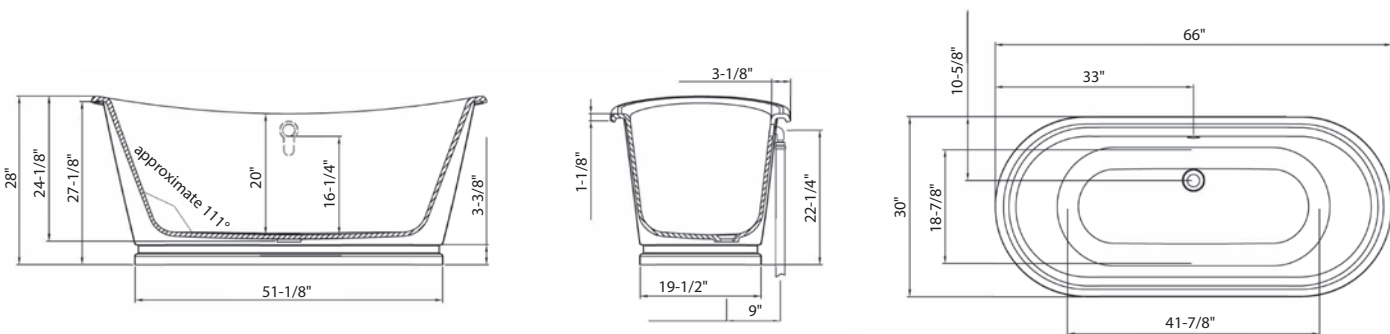
Island Tub Drain Adapter

For installation over a finished floor
ITD5135 **\$355**

This item is highly recommended for ease of installation.



See pages 399 & 401 for detailed information



***6-WEEK LEADTIME**



BALTHAZAR BATHTUB WITH GOLD EXTERIOR

Size: L 66" x W 30" x H 28"

Constructed of ClearStone material which is engineered to resist stain, retain heat and minimize maintenance

Generous size and center drain position comfortably accommodates two bathers

Water depth: 16-1/4"

Capacity: 62 gallons

Displaced capacity: 43 gallons

Weight: 244 lbs

Weight with water: 703 lbs

Required waste & overflow sold separately

For installation over a finished floor, please order ITD5135 Island Tub Drain (sold separately)



White with gold exterior
US-N25GCS

\$8495

REQUIRED WASTE & OVERFLOW

Traditional Trim Exposed Bath Waste & Overflow

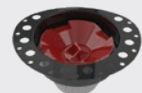
Polished Chrome	US-CW11C	\$395	Unlacquered Brass	US-CW11B	\$695*
Polished Nickel	US-CW11N	\$495	Brushed Brass	US-CW11BB	\$995*
Satin Nickel	US-CW11S	\$695*	Brushed Black Chrome	US-CW11BBC	\$695*
Matte Black	US-CW11MB	\$695*	Brushed Nickel	US-CW11BN	\$695*



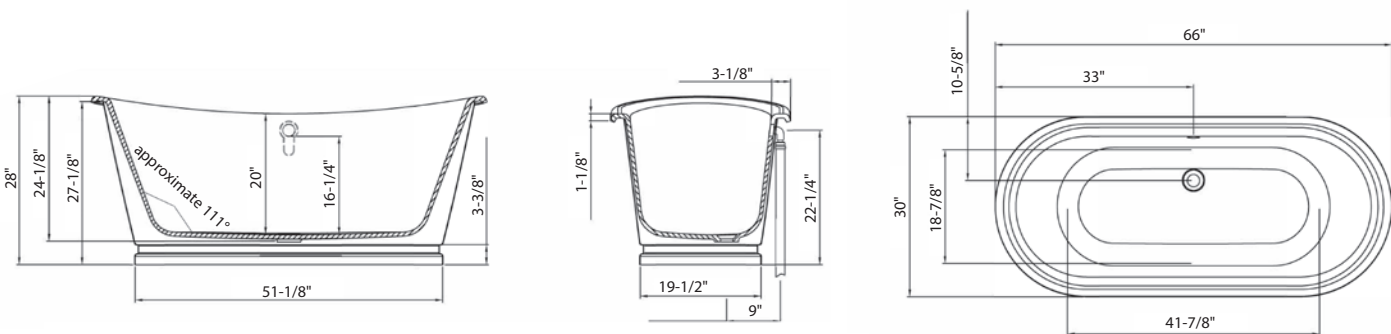
Island Tub Drain Adapter

For installation over a finished floor
ITD5135 \$355

This item is highly recommended for ease of installation.



See pages 399 & 401 for detailed information



*6-WEEK LEADTIME

BATHTUBS



BALTHAZAR BATHTUB WITH WHITE EXTERIOR

Size: L 66" x W 30" x H 28"

Constructed of ClearStone material which is engineered to resist stain, retain heat and minimize maintenance

Generous size and center drain position comfortably accommodates two bathers

Water depth: 16-1/4"

Capacity: 62 gallons

Displaced capacity: 43 gallons

Weight: 244 lbs

Weight with water: 703 lbs

Required waste & overflow sold separately

For installation over a finished floor, please order ITD5135 Island Tub Drain (sold separately)



White with white exterior
US-N25WCS

\$7995

REQUIRED WASTE & OVERFLOW

Traditional Trim Exposed Bath Waste & Overflow

Polished Chrome	US-CW11C	\$395	Unlacquered Brass	US-CW11B	\$695*
Polished Nickel	US-CW11N	\$495	Brushed Brass	US-CW11BB	\$995*
Satin Nickel	US-CW11S	\$695*	Brushed Black Chrome	US-CW11BBC	\$695*
Matte Black	US-CW11MB	\$695*	Brushed Nickel	US-CW11BN	\$695*



Island Tub Drain Adapter

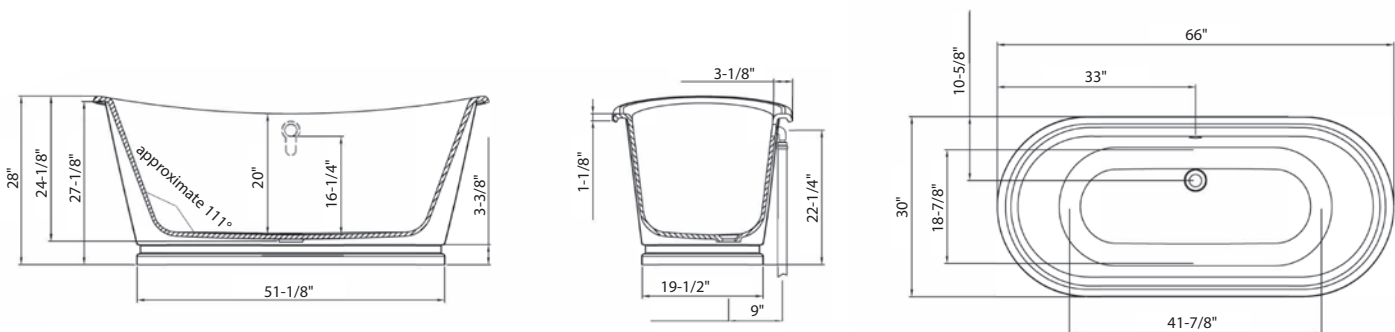
For installation over a finished floor
ITD5135 **\$355**

This item is highly recommended for ease of installation.



See pages 399 & 401 for detailed information

BATH TUBS



***6-WEEK LEADTIME**

BATHTUBS



BALTHAZAR BATHTUB WITH BLACK EXTERIOR

Size: L 66" x W 30" x H 28"

Constructed of ClearStone material which is engineered to resist stain, retain heat and minimize maintenance

Generous size and center drain position comfortably accommodates two bathers

Water depth: 16-1/4"

Capacity: 62 gallons

Displaced capacity: 43 gallons

Weight: 244 lbs

Weight with water: 703 lbs

Required waste & overflow sold separately

For installation over a finished floor, please order ITD5135 Island Tub Drain (sold separately)



White with black exterior
US-N25BCS

\$7995

REQUIRED WASTE & OVERFLOW

Traditional Trim Exposed Bath Waste & Overflow

Polished Chrome	US-CW11C	\$395	Unlacquered Brass	US-CW11B	\$695*
Polished Nickel	US-CW11N	\$495	Brushed Brass	US-CW11BB	\$995*
Satin Nickel	US-CW11S	\$695*	Brushed Black Chrome	US-CW11BBC	\$695*
Matte Black	US-CW11MB	\$695*	Brushed Nickel	US-CW11BN	\$695*



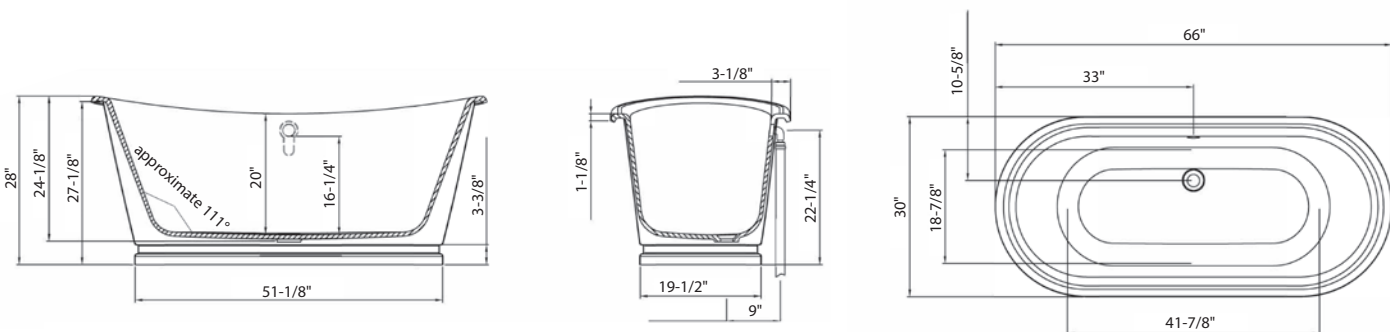
Island Tub Drain Adapter

For installation over a finished floor
ITD5135 **\$355**

This item is highly recommended for ease of installation.



See pages 399 & 401 for detailed information



***6-WEEK LEADTIME**



FLORENZA BATHTUB

Size: L 72" x W 34" x H 22-3/8"

Constructed of ClearStone material which is engineered to resist stain, retain heat and minimize maintenance

Generous size and center drain position comfortably accommodates two bathers

Water depth: 15"

Capacity: 79 gallons

Displaced capacity: 61 gallons

Weight: 220 lbs

Weight with water: 705 lbs

IAPMO listed

Massachusetts code approved

Required waste & overflow sold separately

For installation over a finished floor, please order ITD5135 Island Tub Drain (sold separately)



White US-N23CS \$3995



REQUIRED WASTE & OVERFLOW

Exposed bath waste & overflow (both elliptical and rectangular overflow plates included)

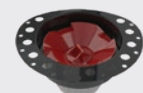
Polished Chrome	US-CW14C	\$425	Unlacquered Brass	US-CW14B	\$765*
Polished Nickel	US-CW14N	\$515	Brushed Brass	US-CW14BB	\$995*
Satin Nickel	US-CW14S	\$765*	Brushed Black Chrome	US-CW14BBC	\$765*
Matte Black	US-CW14MB	\$765*	Brushed Nickel	US-CW14BN	\$765*



Island Tub Drain Adapter

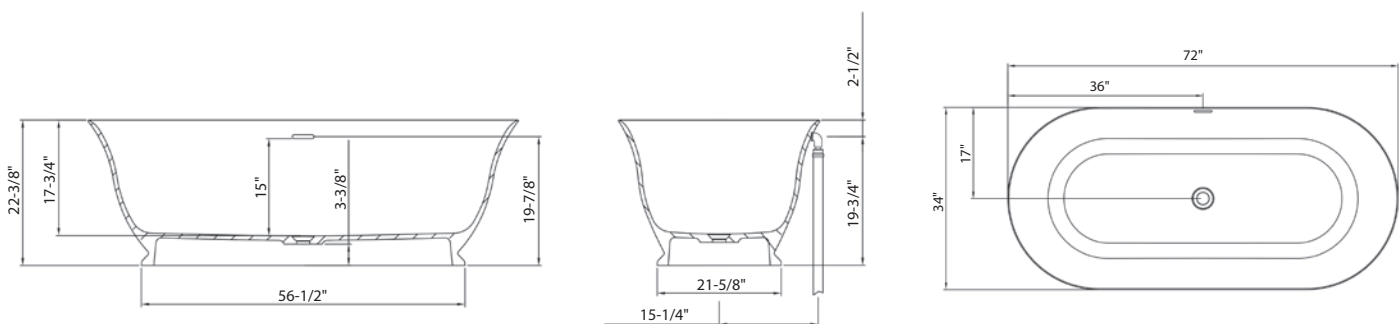
For installation over a finished floor
ITD5135 \$355

This item is highly recommended for ease of installation.



See pages 399 & 401 for detailed information

BATHTUBS



*6-WEEK LEADTIME

BATHTUBS



FORMOSO 66 BATHTUB

Size: L 66-1/2" x W 31-1/2" x H 22-1/2"

Constructed of ClearStone material which is engineered to resist stain, retain heat and minimize maintenance

Generous size and center drain position comfortably accommodates two bathers

Water depth: 15"

Capacity: 92 gallons

Displaced capacity: 73 gallons

Weight: 185 lbs

Weight with water: 586 lbs

IAPMO listed

Massachusetts code approved

Required waste & overflow sold separately

For installation over a finished floor, please order ITD5135 Island Tub Drain (sold separately)



White

US-N2ACS

\$3995



REQUIRED WASTE & OVERFLOW

Exposed bath waste & overflow (both elliptical and rectangular overflow plates included)

Polished Chrome	US-CW12C	\$395	Unlacquered Brass	US-CW12B	\$695*
Polished Nickel	US-CW12N	\$495	Brushed Brass	US-CW12BB	\$995*
Satin Nickel	US-CW12S	\$695*	Brushed Black Chrome	US-CW12BBC	\$695*
Matte Black	US-CW12MB	\$695*	Brushed Nickel	US-CW12BN	\$695*



Island Tub Drain Adapter

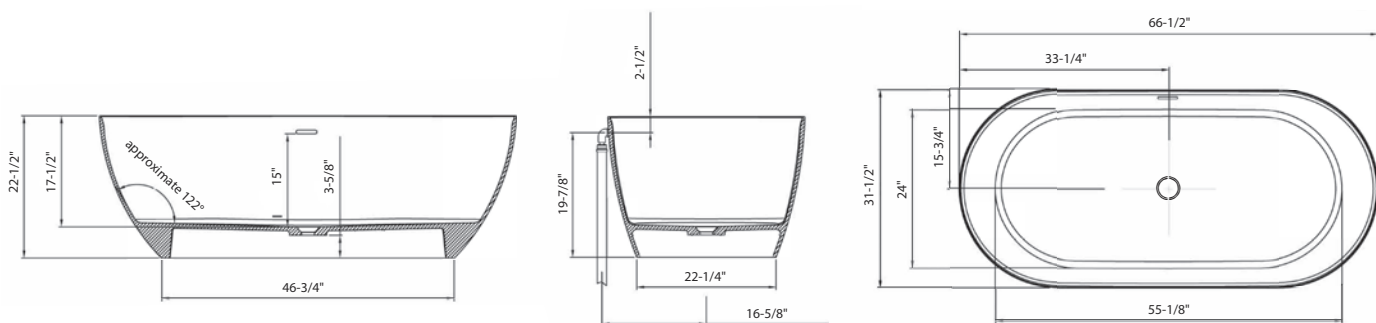
For installation over a finished floor
ITD5135 \$355

This item is highly recommended for ease of installation.



See pages 399 & 401 for detailed information

BATHTUBS



*6-WEEK LEADTIME



FORMOSO 60 BATHTUB

Size: L 59" x W 31-1/2" x H 22-1/2"

Constructed of ClearStone material which is engineered to resist stain, retain heat and minimize maintenance

Center drain position comfortably accommodates two bathers

Water depth: 14-5/8"

Capacity: 76 gallons

Displaced capacity: 58 gallons

Weight: 148 lbs

Weight with water: 599 lbs

IAPMO listed

Massachusetts code approved

Required waste & overflow sold separately

For installation over a finished floor, please order ITD5135 Island Tub Drain (sold separately)



White

US-N1ACS

\$3695



REQUIRED WASTE & OVERFLOW

Exposed bath waste & overflow (both elliptical and rectangular overflow plates included)

Polished Chrome	US-CW12C	\$395	Unlacquered Brass	US-CW12B	\$695*
Polished Nickel	US-CW12N	\$495	Brushed Brass	US-CW12BB	\$995*
Satin Nickel	US-CW12S	\$695*	Brushed Black Chrome	US-CW12BBC	\$695*
Matte Black	US-CW12MB	\$695*	Brushed Nickel	US-CW12BN	\$695*



Island Tub Drain Adapter

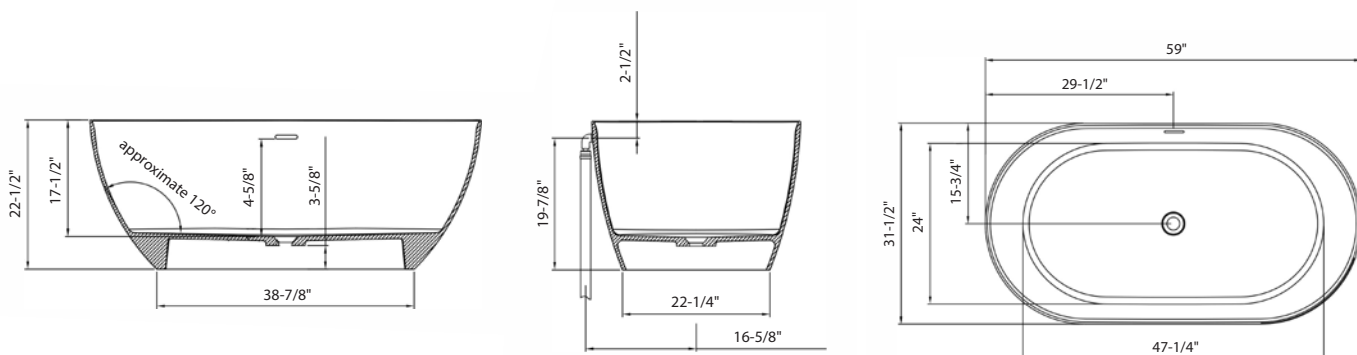
For installation over a finished floor
ITD5135 \$355

This item is highly recommended for ease of installation.



See pages 399 & 401 for detailed information

BATHTUBS



*6-WEEK LEADTIME



PALERMO 70 BATHTUB

Size: L 70-1/2" x W 29-1/2" x H 22-1/2"

Constructed of ClearStone material which is engineered to resist stain, retain heat and minimize maintenance

Generous size and center drain position comfortably accommodates two bathers

Water depth: 14-7/8"

Capacity: 87 gallons

Displaced capacity: 69 gallons

Weight: 218 lbs

Weight with water: 703 lbs

IAPMO listed

Massachusetts code approved

Required waste & overflow sold separately

For installation over a finished floor, please order ITD5135 Island Tub Drain (sold separately)



White

US-N5CCS

\$3995



REQUIRED WASTE & OVERFLOW

Exposed bath waste & overflow (both elliptical and rectangular overflow plates included)

Polished Chrome	US-CW12C	\$395	Unlacquered Brass	US-CW12B	\$695*
Polished Nickel	US-CW12N	\$495	Brushed Brass	US-CW12BB	\$995*
Satin Nickel	US-CW12S	\$695*	Brushed Black Chrome	US-CW12BBC	\$695*
Matte Black	US-CW12MB	\$695*	Brushed Nickel	US-CW12BN	\$695*



Island Tub Drain Adapter

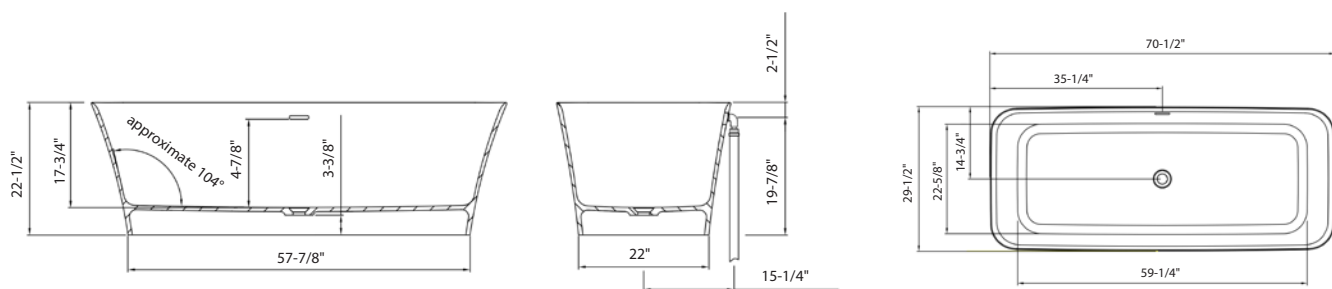
For installation over a finished floor
ITD5135 \$355

This item is highly recommended for ease of installation.



See pages 399 & 401 for detailed information

BATHTUBS



*6-WEEK LEADTIME



PALERMO 60 BATHTUB

Size: L 60" x W 29-1/2" x H 22-1/2"

Constructed of ClearStone material which is engineered to resist stain, retain heat and minimize maintenance

End drain position

Water depth: 14-7/8"

Capacity: 75 gallons

Displaced capacity: 56 gallons

Weight: 192 lbs

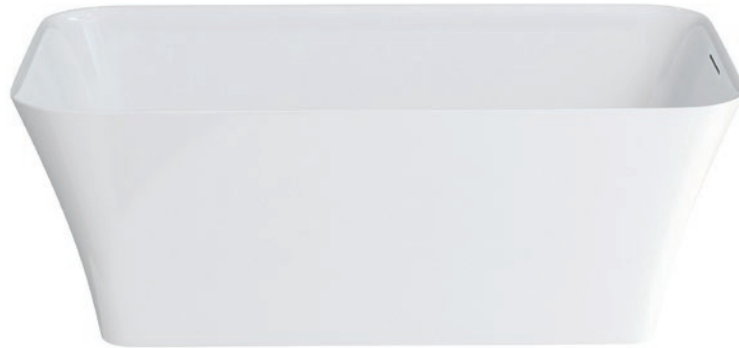
Weight with water: 584 lbs

IAPMO listed

Massachusetts code approved

Required waste & overflow sold separately

For installation over a finished floor, please order ITD5135 Island Tub Drain (sold separately)



White

US-N4CCS

\$3695



REQUIRED WASTE & OVERFLOW

Exposed bath waste & overflow (both elliptical and rectangular overflow plates included)

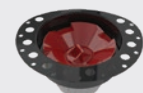
Polished Chrome	US-CW12C	\$395	Unlacquered Brass	US-CW12B	\$695*
Polished Nickel	US-CW12N	\$495	Brushed Brass	US-CW12BB	\$995*
Satin Nickel	US-CW12S	\$695*	Brushed Black Chrome	US-CW12BBC	\$695*
Matte Black	US-CW12MB	\$695*	Brushed Nickel	US-CW12BN	\$695*



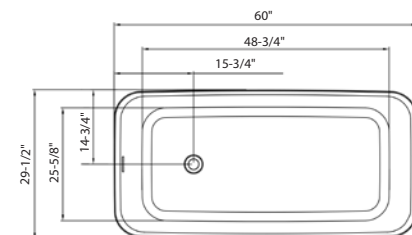
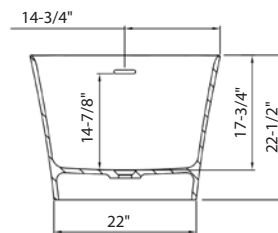
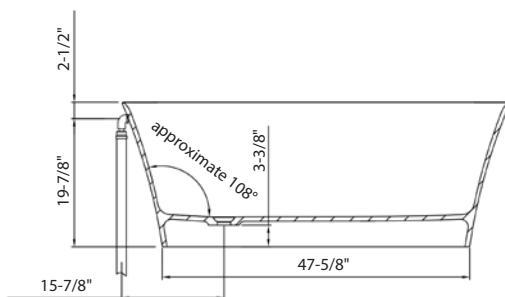
Island Tub Drain Adapter

For installation over a finished floor
ITD5135 \$355

This item is highly recommended for ease of installation.



See pages 399 & 401 for detailed information



*6-WEEK LEADTIME

BATHTUBS



PATINATO 66 BACK-TO-WALL BATHTUB

Size: L 66-1/2" x W 31-1/2" x H 21-5/8"

Constructed of ClearStone material which is engineered to resist stain, retain heat and minimize maintenance

Sits flush against the wall

Ledge provides platform for deck-mount tub filler

Ledge can be drilled for two, three, four or five holes for tub filler (supplied undrilled)

Generous size and center drain position comfortably accommodates two bathers

Water depth: 14"

Capacity: 72 gallons

Displaced capacity: 54 gallons

Weight: 201 lbs

Weight with water: 659 lbs

IAPMO listed, Massachusetts code approved

Required waste & overflow sold separately

For installation over a finished floor, please order ITD5135 Island Tub Drain (sold separately)



White

US-N3BCS

\$3995



REQUIRED WASTE & OVERFLOW

Exposed bath waste & overflow

Polished Chrome	US-BTW0231C	\$175	Brushed Brass	US-BTW0231BB	\$495*
Polished Nickel	US-BTW0231N	\$225	Brushed Black Chrome	US-BTW0231BBC	\$395*
Satin Nickel	US-BTW0231V	\$365*	Brushed Nickel	US-BTW0231BN	\$365*
Matte Black	US-BTW0231MB	\$365*			
Unlacquered Brass	US-BTW0231B	\$365*			



Island Tub Drain Adapter

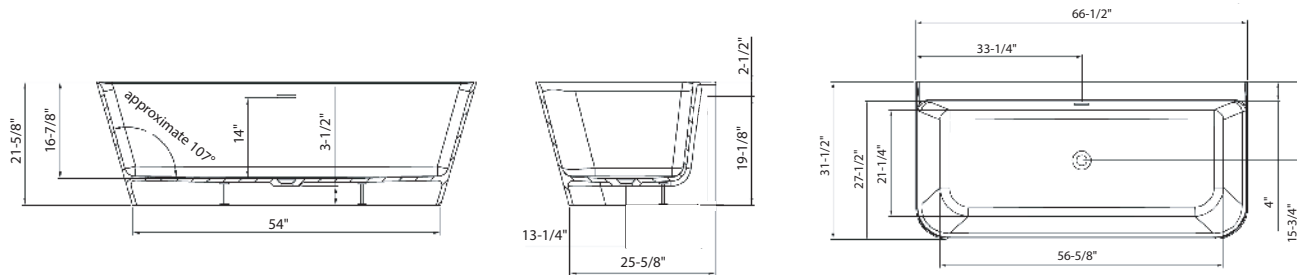
For installation over a finished floor
ITD5135 \$355

This item is highly recommended for ease of installation.



See page 401 for detailed information

BATHTUBS



*6-WEEK LEADTIME

BATHTUBS



PATINATO 60 BACK-TO-WALL BATHTUB

Size: L 60" x W 31-1/2" x H 21-5/8"

Constructed of ClearStone material which is engineered to resist stain, retain heat and minimize maintenance

Sits flush against the wall

Ledge provides platform for deck-mount tub filler

Ledge can be drilled for two, three, four or five holes for tub filler (supplied undrilled)

Generous size and center drain position comfortably accommodates two bathers

Water depth: 13-7/8"

Capacity: 63 gallons

Displaced capacity: 44 gallons

Weight: 187 lbs

Weight with water: 555 lbs

IAPMO listed, Massachusetts code approved

Required waste & overflow sold separately

For installation over a finished floor, please order ITD5135 Island Tub Drain (sold separately)



White

US-N3ACS

\$3695



REQUIRED WASTE & OVERFLOW

Exposed bath waste & overflow

Polished Chrome	US-BTW0231C	\$175
Polished Nickel	US-BTW0231N	\$225
Satin Nickel	US-BTW0231V	\$365*
Matte Black	US-BTW0231MB	\$365*
Unlacquered Brass	US-BTW0231B	\$365*

Brushed Brass	US-BTW0231BB	\$495*
Brushed Black Chrome	US-BTW0231BBC	\$395*
Brushed Nickel	US-BTW0231BN	\$365*



Island Tub Drain Adapter

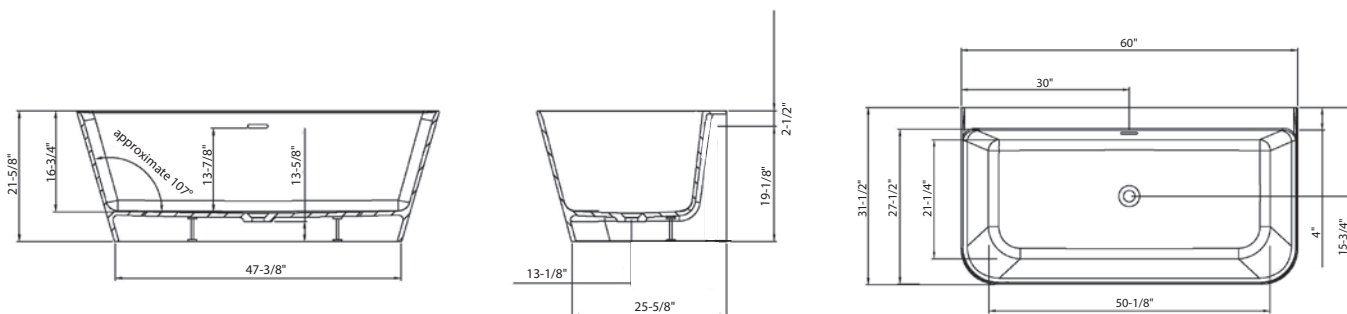
For installation over a finished floor
ITD5135 \$355

This item is highly recommended for ease of installation.



See page 401 for detailed information

BATHTUBS



*6-WEEK LEADTIME



CLASSICO 66 CLAWFOOT BATHTUB

Size: L 66-1/2" x W 31-1/2" x H 26-1/8"

Constructed of ClearStone material which is engineered to resist stain, retain heat and minimize maintenance

Claw feet available in Polished chrome, Polished nickel and White

Center drain position comfortably accommodates two bathers

Water depth: 15-1/2"

Capacity: 63 gallons

Displaced capacity: 45 gallons

Weight: 152 lbs (bathtub only)

Weight with water: 528 lbs (bathtub only)

IAPMO listed

Massachusetts code approved

Not suitable for rim mounting faucet

Required waste & overflow sold separately



Classico 66 Bathtub with Polished Chrome Claw Feet

US-N9CSL1C \$3275

Classico 66 Bathtub with Polished Nickel Claw Feet

US-N9CSL1N \$3275

Classico 66 Bathtub with White Claw Feet

US-N9CSL1W \$3275

REQUIRED WASTE AND OVERFLOW

Traditional trim exposed bath waste & overflow

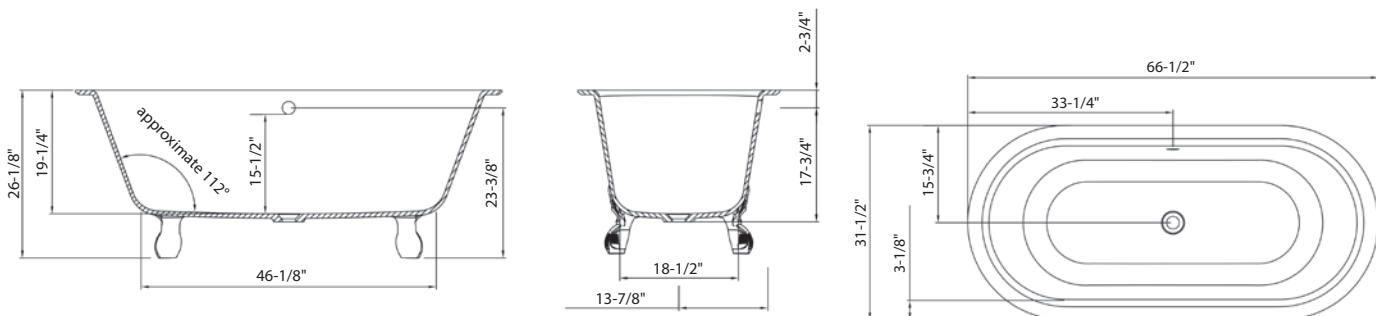
Polished Chrome **US-BTW0222C \$595**

Polished Nickel **US-BTW0222N \$765**

Satin Nickel **US-BTW0222V \$1095**



See page 400 for detailed information



***6-WEEK LEADTIME**



ROMANO 60 CLAWFOOT BATHTUB

Size: L 60" x W 31" x H 31-5/8"

Constructed of ClearStone material which is engineered to resist stain, retain heat and minimize maintenance

Claw feet available in Polished chrome, Polished nickel and White

Center drain position comfortably accommodates two bathers

Water depth: 15-1/2"

Capacity: 53 gallons

Displaced capacity: 34 gallons

Weight: 152 lbs (bathtub only)

Weight with water: 436 lbs (bathtub only)

IAPMO listed

Massachusetts code approved

Not suitable for rim mounting faucet

Required waste & overflow sold separately



Romano 60 Bathtub with Polished Chrome Claw Feet

US-N11ACSL1C \$3275

Romano 60 Bathtub with Polished Nickel Claw Feet

US-N11ACSL1N \$3275

Romano 60 Bathtub with White Claw Feet

US-N11ACSL1W \$3275

REQUIRED WASTE AND OVERFLOW

Traditional trim exposed bath waste & overflow

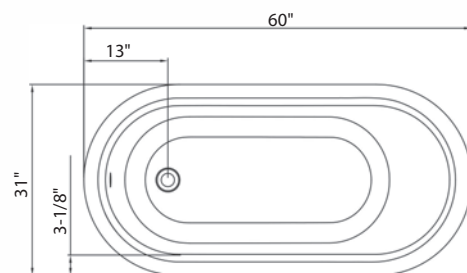
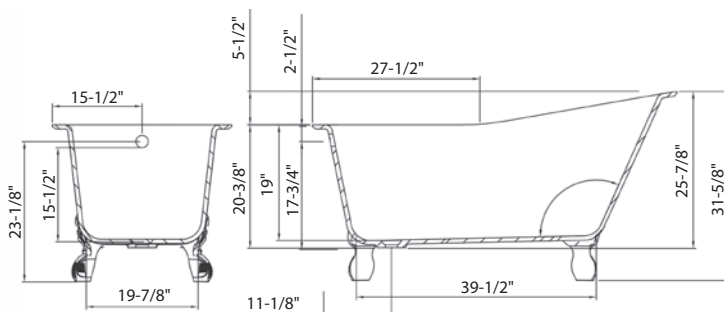
Polished Chrome **US-BTW0222C \$595**

Polished Nickel **US-BTW0222N \$765**

Satin Nickel **US-BTW0222V \$1095**



See page 400 for detailed information



***6-WEEK LEADTIME**



DRAINS AND WASTE & OVERFLOWS



DESIGNED FOR HIGH QUALITY
AND FUNCTIONAL, SEAMLESS
INSTALLATION

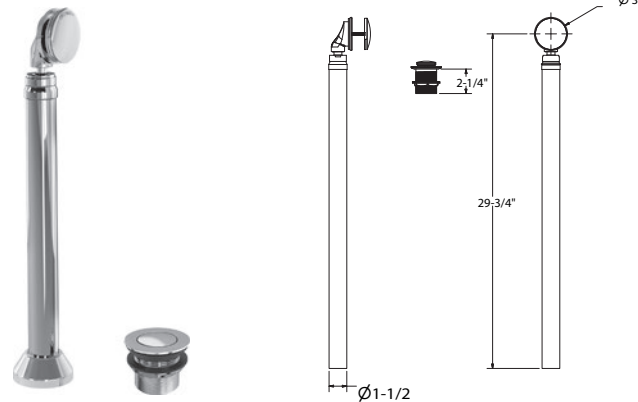
EXPOSED BATH WASTE AND OVERFLOW

For use with Balthazar bathtubs

IAPMO listed

Massachusetts code approved

Polished Chrome	US-CW11C	\$395
Polished Nickel	US-CW11N	\$495
Satin Nickel	US-CW11S	\$695*
Matte Black	US-CW11MB	\$695*
Unlacquered Brass	US-CW11B	\$695*
Brushed Brass	US-CW11BB	\$995*
Brushed Black Chrome	US-CW11BBC	\$695*
Brushed Nickel	US-CW11BN	\$695*



EXPOSED BATH WASTE AND OVERFLOW

For use with Formoso Grande, Formoso Petite, Palermo Grande and Palermo Petite bathtubs

IAPMO listed

Massachusetts code approved

Polished Chrome	US-CW12C	\$395
Polished Nickel	US-CW12N	\$495
Satin Nickel	US-CW12S	\$695*
Matte Black	US-CW12MB	\$695*
Unlacquered Brass	US-CW12B	\$695*
Brushed Brass	US-CW12BB	\$995*
Brushed Black Chrome	US-CW12BBC	\$695*
Brushed Nickel	US-CW12BN	\$695*



EXPOSED BATH WASTE AND OVERFLOW

For use with Florenza bathtubs (both elliptical and rectangular overflow plates included)

IAPMO listed

Massachusetts code approved

Polished Chrome	US-CW14C	\$425
Polished Nickel	US-CW14N	\$515
Satin Nickel	US-CW14S	\$765*
Matte Black	US-CW14MB	\$765*
Unlacquered Brass	US-CW14B	\$765*
Brushed Brass	US-CW14BB	\$995*
Brushed Black Chrome	US-CW14BBC	\$765*
Brushed Nickel	US-CW14BN	\$765*



***6-WEEK LEADTIME**

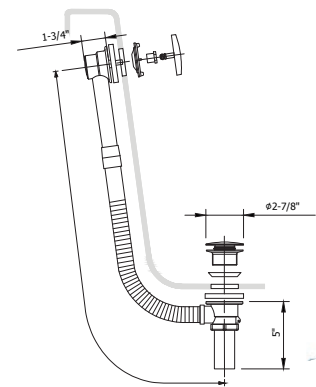
CLIC CLAC BATH WASTE & OVERFLOW

For use with Waldorf Back-to-wall bathtub

Massachusetts code approved

CSA listed

Polished Chrome	US-BTW0201C	\$215
Polished Nickel	US-BTW0201N	\$245
Satin Nickel	US-BTW0201V	\$325

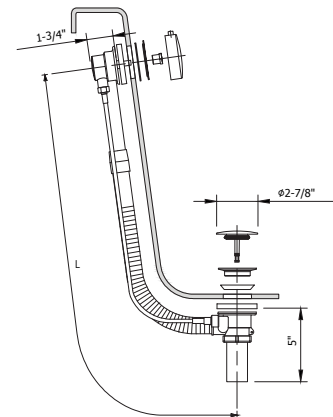


CABLE DRIVE BATH WASTE & OVERFLOW

For use with Waldorf Back-to-wall bathtub

Massachusetts code approved

Polished Chrome	US-BTW0241C	\$245
Polished Nickel	US-BTW0241N	\$275
Satin Nickel	US-BTW0241V	\$365



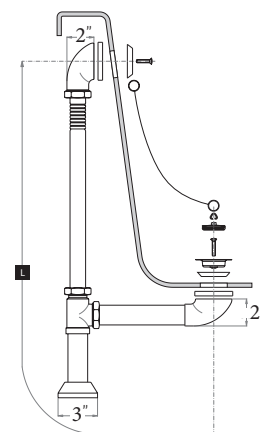
EXPOSED BATH WASTE & OVERFLOW

For use with Classico 66 and Romano 60 bathtubs

Massachusetts code approved

CSA listed

Polished Chrome	US-BTW0222C	\$595
Polished Nickel	US-BTW0222N	\$765
Satin Nickel	US-BTW0222V	\$1095

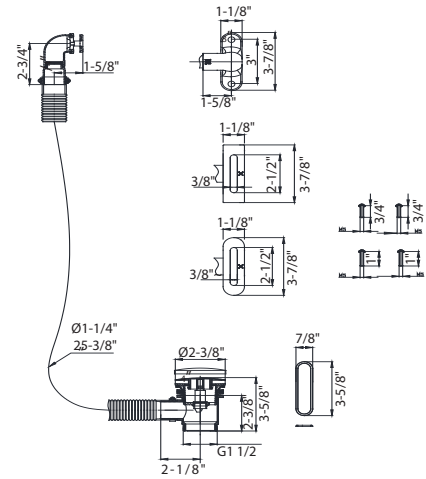


EXPOSED BATH WASTE & OVERFLOW

For use with Patinato Grande and Patinato Petite bathtubs

Massachusetts code approved

Polished Chrome	US-BTW0231C	\$175
Polished Nickel	US-BTW0231N	\$225
Satin Nickel	US-BTW0231V	\$365*
Matte Black	US-BTW0231MB	\$365*
Unlacquered Brass	US-BTW0231B	\$365*
Brushed Brass	US-BTW0231BB	\$495*
Brushed Black Chrome	US-BTW0231BBC	\$395*
Brushed Nickel	US-BTW0231BN	\$365*



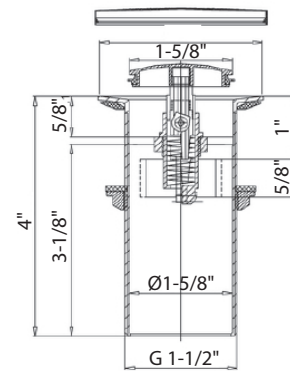
EXPOSED BATH WASTE

For use with Waldorf freestanding bathtub

IAPMO listed

Massachusetts code approved

Polished Chrome	US-CW15C	\$75
Polished Nickel	US-CW15N	\$85

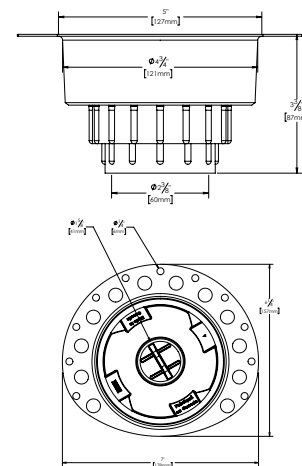


ISLAND TUB DRAIN

Allows for freestanding tub to be installed over finished floor (before tile installation).

This item is highly recommended for ease of installation.

ITD5135	\$355
---------	-------



*6-WEEK LEADTIME



ROUGH'S

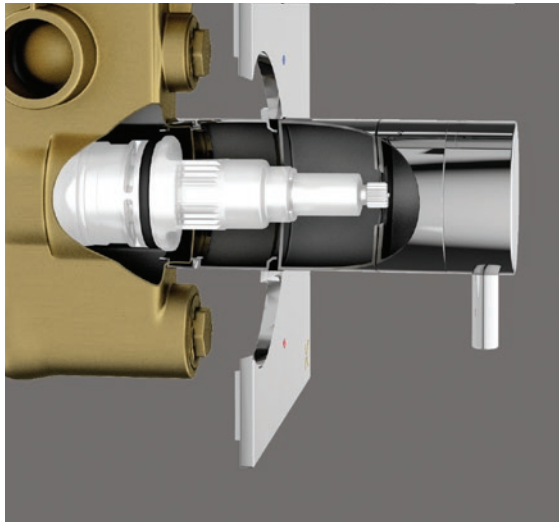


QUALITY PERFORMANCE
COMES FROM WITHIN.

QUALITY COMES FROM WITHIN



Endurance, quality, economy and safety lay at the core of every Crosswater London thermostatic shower valve.



THE PERFORMANCE 'HEART' OF THE VALVE

'Vernet CA43' is the world's leading thermostatic cartridge due to its advanced technology in smooth and precise temperature control.

The thermostatic mixers (single or multiple outlet), will maintain their pre-set water temperature, so whether you switch from one water outlet to another or turn off the water to shampoo your hair, the thermostat will automatically find the exact pre-set temperature when you re-commence your shower, allowing you to relax and enjoy the ultimate showering experience.



QUALITY CERAMIC DISC CARTRIDGE

The basis for all high-quality shower valves is the performance of the internal turning parts - even after it has been used thousands of times. All Crosswater London thermostatic shower valves use Flühs ceramic disc technology inside the Vernet cartridges - the leading innovator, producer and supplier in the world of water supply products. Each valve is marked with a Flühs symbol as a sign of quality and compliance.

Silky smooth operation and precise water control are characteristic of Flühs products. All raw materials are highly resistant to acidic and alkaline solutions in the bathroom (soap, shampoo, etc). The ceramic discs themselves provide the very best operation and are highly reliable, even when you have wet and soapy hands. The strength of the ceramic discs is extremely durable to prevent the usual wear and tear, even after years of prolonged use.

COMPONENTS

Crosswater London brassware are manufactured using Flühs and Kerox cartridges, Vernet thermostatic cartridges, Neoperl aerators, Parigi branded hoses and Fluidmaster fill valves, flush valves, and flappers.

All of these components are considered best-in-class and are used by top brands throughout the world.

FLÜHS

Unlike most others, the Flühs cartridge does not require a lubricant which deteriorates or washes away over time making the faucet difficult to operate. Made in Germany, Flühs is considered to be the best ceramic faucet cartridge and is preferred by manufacturers of high-end faucets.

KEROX

Manufactured by Kerox Kft, a Hungarian manufacturer that specializes in ceramic mixing cartridges for single-lever faucets. It has become the preferred cartridge for single-levers by high-end brands due to its reputation for reliable performance.

VERNET

Made in France at a factory that uses stringent quality control at the factory level. With a specially optimized thermostatic element and a highly advanced design of the regulation components, Vernet has developed cartridges that provide the best temperature regulation and safety in accordance with world-wide standards.

PARIGI

Founded in Milan in 1950, Parigi became part of the Neoperl Group in 2014. In 1975, Parigi patented the Parinox, the first flexible hose made of rubber and covered by stainless steel braiding. Parigi is considered to be a pioneer and quality leader in the field. Supply hoses are a key safety component delivering water to the faucet. The inner hose is made of dependable Softpex which has been proven in the market millions of times with a 0% failure rate.

NEOPERL

Aerators are from Neoperl, a Swiss company founded in 1959, which is considered to make the world's best. Aerators add air to soften the water streams so it will not splash. Today, they are also used to limit water volume to the lower flows required by federal and state water conservation laws. In some cases, they also prevent backflow that can result in the contamination of household drinking water. It is therefore important that this device be the best available.

FLUID MASTER

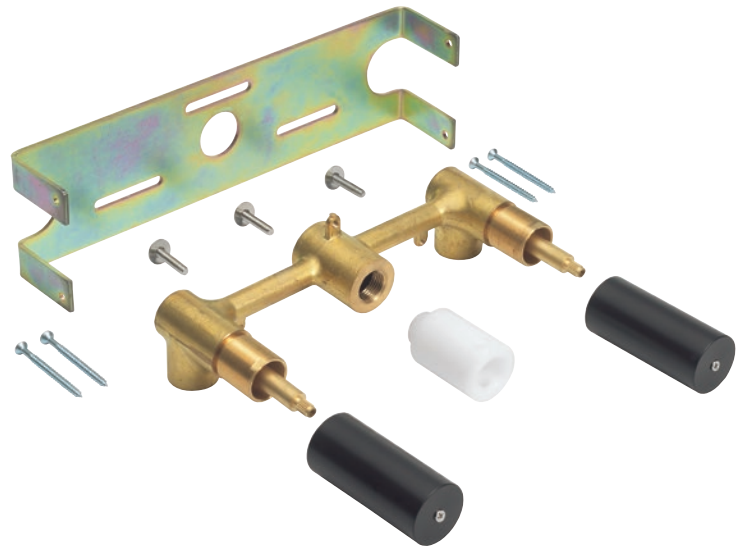
These toilet parts are found in more toilets than all other brands combined - it is the #1 brand of toilet repair parts worldwide. Toilet fill valves refill the toilet tank and bowl to the correct levels after flushing. They replace old-style ballcocks and other older designs. Toilet flapper issues are the leading cause of leaking or running toilets. They provide the seal for the flush valve and control the volume of water released to the bowl. Toilet flush valves control the release of water from the tank to the bowl when the trip lever is pressed.

ROUGH FOR WALL-MOUNT THREE-HOLE BASIN FAUCET

Flühs quarter-turn ceramic disc cartridges
 Flow rate: 1.2 GPM at 30 PSI
 IAPMO listed
 Massachusetts code approved
 Extension kit: US-130ROUGH-EXT

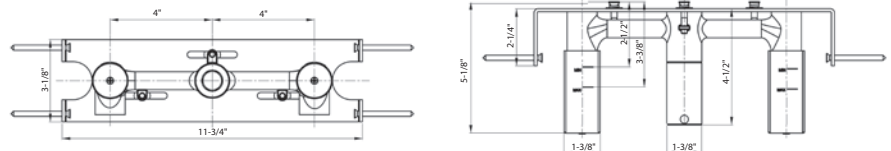
Compatible trims:

- US-130ROUGH
- Belgravia
- Union
- Waldorf
- US-130ROUGH-2
- MPRO
- Wisp



US-130ROUGH **\$330**
 US-130ROUGH-2 **\$330**

Extension Kit:
 US-130ROUGH-EXT **\$95**

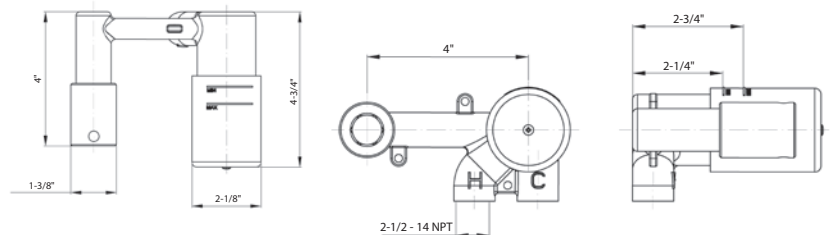


ROUGH FOR WALL-MOUNT SINGLE-LEVER BASIN FAUCET

Right-hand mixer handle
 (handle orientation cannot be changed)
 Kerox ceramic disc cartridge
 Flow rate: 1.2 GPM at 80 PSI
 IAPMO listed
 Massachusetts code approved

Compatible trims:

- MPRO
- Wisp



Polished Chrome **US-120ROUGH-C \$330**
 Satin Nickel **US-120ROUGH-V \$330**
 Matte Black **US-120ROUGH-MB \$330**
 Brushed Brass **US-120ROUGH-BB \$330**

ROUGH FOR FLOOR-MOUNT SINGLE-HOLE TUB FILLER

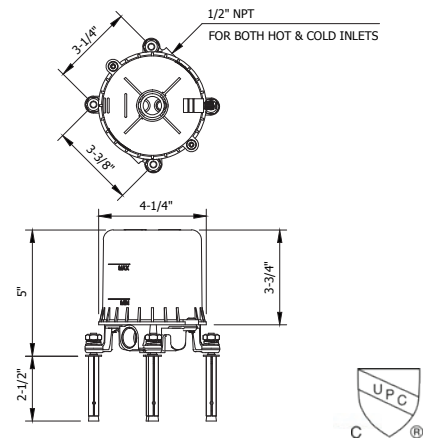
- Minimum depth into the floor: 2-1/8"
- Maximum depth into the floor: 3-1/2"
- Water pressure minimum: 20 PSI
- Water pressure maximum: 60 PSI
- IAPMO listed
- Massachusetts code approved

Compatible trims:

- Heir
- MPRO
- Wisp

US-418ROUGH

\$330



ROUGH FOR FLOOR-STANDING PILLAR LEGS

- Easy-install floor rough
- For pillar legs US-BL002 and US-WF002
- For US-BL002 - minimum depth into the floor 1-3/4"
- For US-WF002 - minimum depth into the floor 1-1/2", maximum depth into the floor 1-5/8"
- Water pressure minimum: 20 PSI
- Water pressure maximum: 60 PSI
- IAPMO listed
- Massachusetts code approved

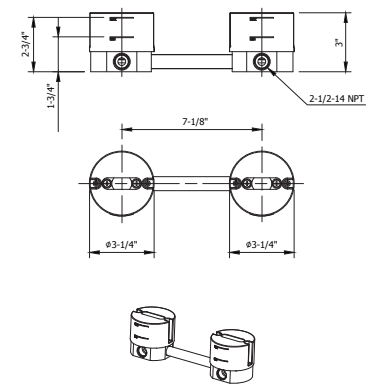
Note: It is REQUIRED that the trim to this rough be on-site for reference at the time of beginning rough-in installation.

Compatible trims:

- Belgravia
- Waldorf

US-AA002ROUGH

\$280



ROUGH FOR UNION FLOOR-MOUNT TUB FILLER

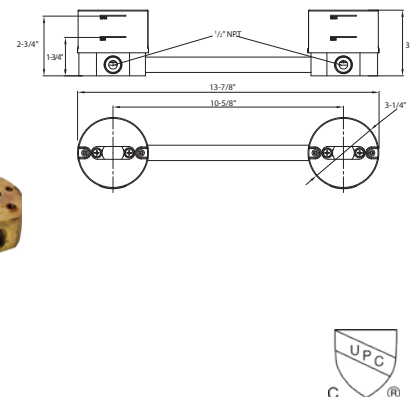
- Minimum depth into the floor: 1-3/4"
- Maximum depth into the floor: 2-3/4"
- Water pressure minimum: 20 PSI
- Water pressure maximum: 60 PSI
- IAPMO listed

Compatible trims:

- Union

US-399ROUGH

\$440



1000 3/4" THERMOSTATIC ROUGH WITH SINGLE INTEGRATED VOLUME CONTROL

One water outlet

Vernet thermostatic cartridge and Flühs volume control cartridge

The thermostatic valve senses and controls the actual water temperature and blends hot water with cold water to ensure constant, safe temperatures, preventing scalding.

Integral shut-off non-return valves with filters to prevent cross flow

Built-in service stops

Flow rate: 12 GPM at 60 PSI

Rough-in depth minimum: 3"

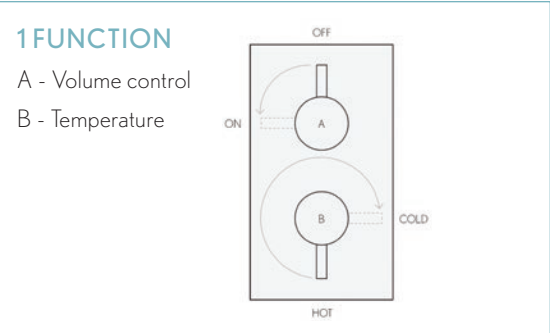
Rough-in depth maximum: 4"

IAPMO listed

Massachusetts code approved

Compatible trims:

- Belgravia
- Heir
- MPRO
- Union
- Waldorf
- Wisp

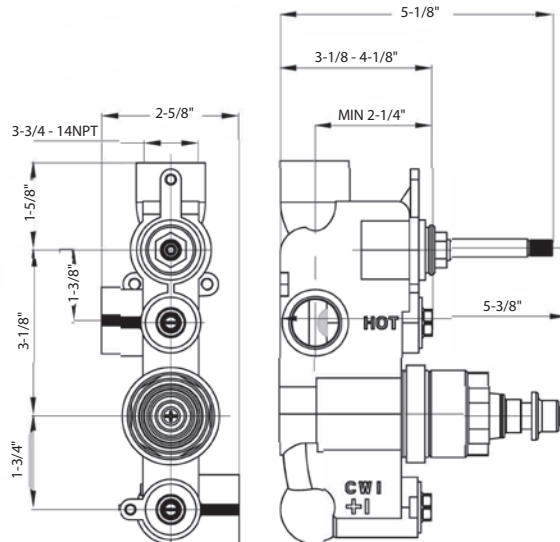


US-WLBP1000R

\$395

Extension Kit:

Polished Chrome	US-EK101525C	\$170
Polished Nickel	US-EK101525N	\$220
Satin Nickel	US-EK101525V	\$220
Matte Black	US-EK101525MB	\$190
Brushed Brass	US-EK101525BB	\$240



1500 3/4" THERMOSTATIC ROUGH WITH VOLUME CONTROL/DIVERTER

Two independent water outlets

Vernet thermostatic cartridge

The thermostatic valve senses and controls the actual water temperature and blends hot water with cold water to ensure constant, safe temperatures, preventing scalding.

Integral shut-off non-return valves with filters to prevent cross flow

Built-in service stops

Flow rate: 11 GPM at 60 PSI

Rough-in depth minimum: 3"

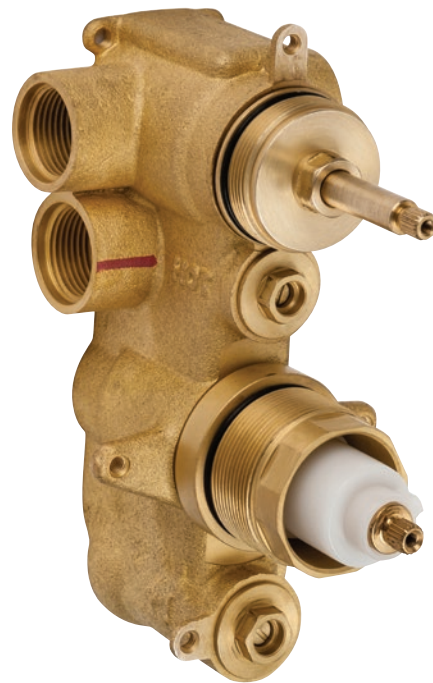
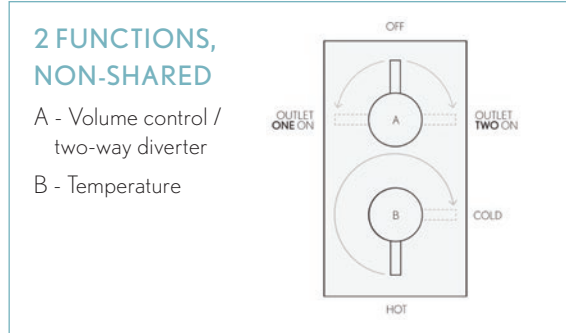
Rough-in depth maximum: 4"

IAPMO listed

Massachusetts code approved

Compatible trims:

- Belgravia
- Heir
- MPRO
- Union
- Waldorf
- Wisp

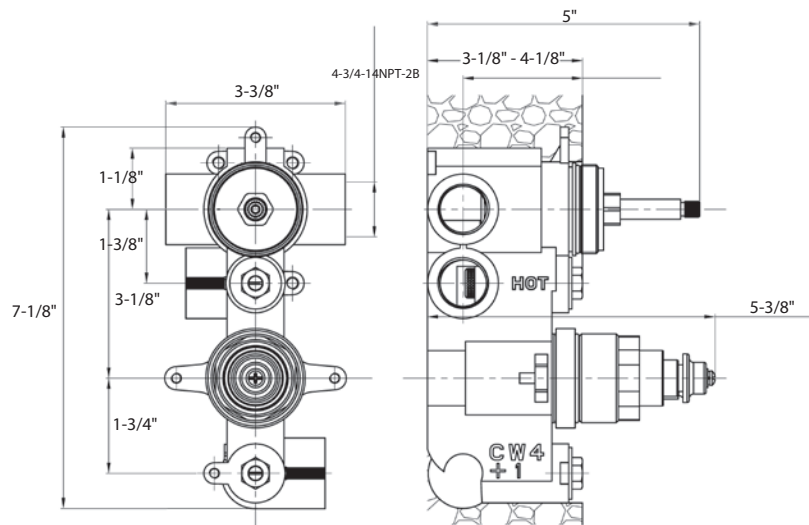


US-WLBP1500R

\$495

Extension Kit:

Polished Chrome	US-EK101525C	\$170
Polished Nickel	US-EK101525N	\$220
Satin Nickel	US-EK101525V	\$220
Matte Black	US-EK101525MB	\$190
Brushed Brass	US-EK101525BB	\$240



ROUGHS

2000 3/4" THERMOSTATIC ROUGH WITH TWO INTEGRATED VOLUME CONTROLS

Two water outlets

Vernet thermostatic cartridge

The thermostatic valve senses and controls the actual water temperature and blends hot water with cold water to ensure constant, safe temperatures, preventing scalding.

Integral shut-off non-return valves with filters to prevent cross flow

Built-in service stops

Flow rate: 13 GPM at 60 PSI

Rough-in depth minimum: 3"

Rough-in depth maximum: 4"

IAPMO listed

Massachusetts code approved

Compatible trims:

- Belgravia
- Heir
- MPRO
- Union
- Waldorf
- Wisp

US-WLBP2000R

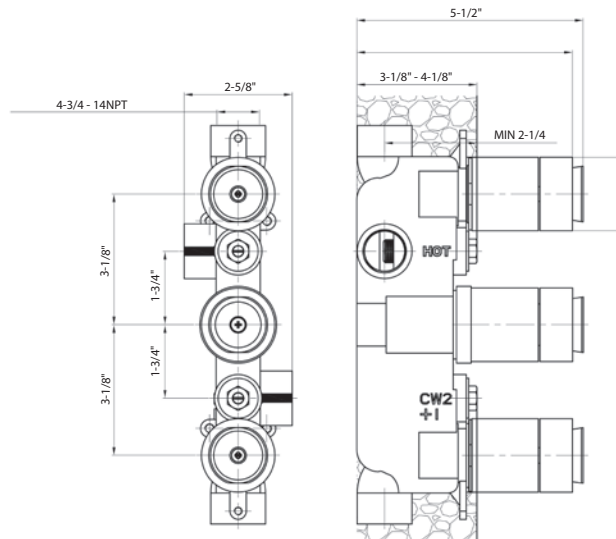
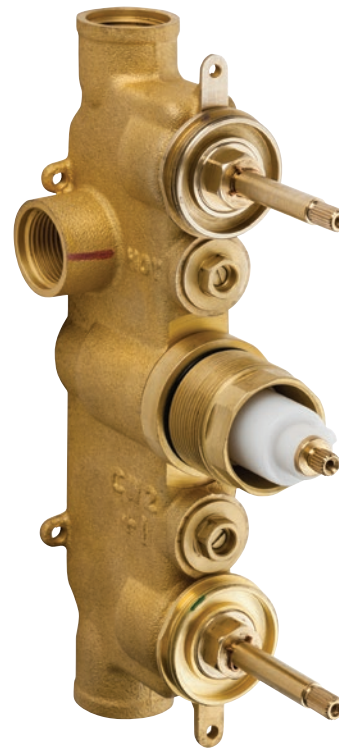
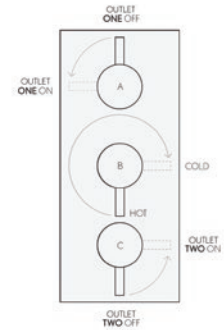
\$495

Extension Kit:

Polished Chrome	US-EK2000C	\$250
Polished Nickel	US-EK2000N	\$330
Satin Nickel	US-EK2000V	\$330
Matte Black	US-EK2000MB	\$290
Brushed Brass	US-EK2000BB	\$360

2 FUNCTIONS, SHARED

- A - Volume control
- B - Temperature
- C - Volume control



**2500 3/4" THERMOSTATIC ROUGH
WITH INTEGRATED VOLUME CONTROL/THREE-WAY DIVERTER**

Three water outlets

Vernet thermostatic cartridge

The thermostatic valve senses and controls the actual water temperature and blends hot water with cold water to ensure constant, safe temperatures, preventing scalding.

Integral shut-off non-return valves with filters to prevent cross flow

Built-in service stops

Flow rate: 12 GPM at 60 PSI

Rough-in depth minimum: 3"

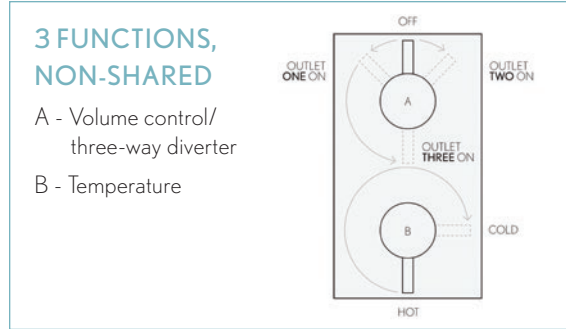
Rough-in depth maximum: 4"

IAPMO listed

Massachusetts code approved

Compatible trims:

- Belgravia
- Heir
- MPRO
- Union
- Waldorf
- Wisp

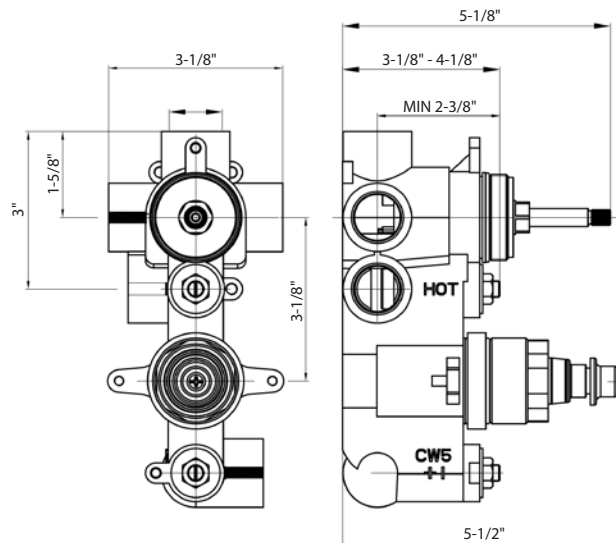


US-WLBP2500R

\$595

Extension Kit:

Polished Chrome	US-EK101525C	\$170
Polished Nickel	US-EK101525N	\$220
Satin Nickel	US-EK101525V	\$220
Matte Black	US-EK101525MB	\$190
Brushed Brass	US-EK101525BB	\$240



ROUGHS

3000 3/4" THERMOSTATIC ROUGH WITH INTEGRATED VOLUME CONTROL AND VOLUME CONTROL/TWO-WAY DIVERTER

Three water outlets

Vernet thermostatic cartridge

The thermostatic valve senses and controls the actual water temperature and blends hot water with cold water to ensure constant, safe temperatures, preventing scalding.

Integral shut-off non-return valves with filters to prevent cross flow

Built-in service stops

Flow rate: 12 GPM at 60 PSI

Rough-in depth minimum: 3"

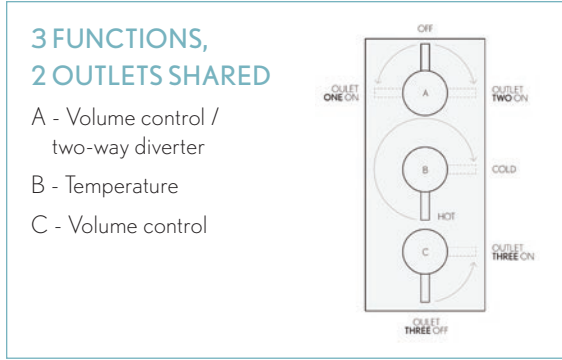
Rough-in depth maximum: 4"

IAPMO listed

Massachusetts code approved

Compatible trims:

- Belgravia
- Heir
- MPRO
- Union
- Waldorf
- Wisp

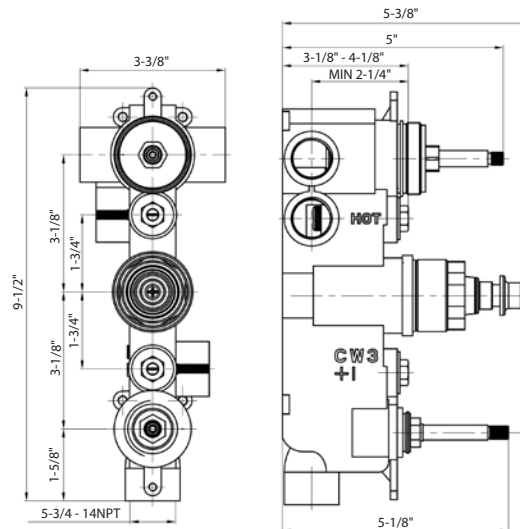


US-WLBP3000R

\$595

Extension Kit:

Polished Chrome	US-EK2000C	\$250
Polished Nickel	US-EK2000N	\$330
Satin Nickel	US-EK2000V	\$330
Matte Black	US-EK2000MB	\$290
Brushed Brass	US-EK2000BB	\$360



DUAL-CONTROL 3/4" THERMOSTATIC VALVE WITH VOLUME CONTROL ROUGH

One water outlet

Vernet thermostatic cartridge and Flühs volume control cartridge

The thermostatic valve senses and controls the actual water temperature and blends hot water with cold water to ensure constant, safe temperatures, preventing scalding.

Integral shut-off non-return valves with filters to prevent cross flow

Built-in service stops

Flow rate: 10-12 GPM at 45 PSI

Rough-in depth minimum: 2-3/4"

Rough-in depth maximum: 3-1/4"

IAPMO listed

Massachusetts code approved

Compatible trims:

- Berea
- Darby
- Leyden
- Taos

1FUNCTION

- A - Volume control
- B - Temperature

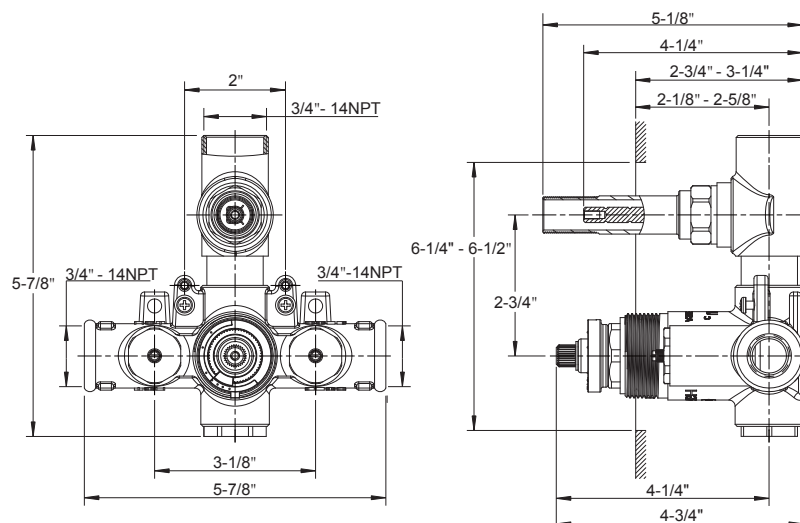


TH1-RGH

\$400

Extension Kit:

Polished Chrome	9Q242000CP	\$215
Polished Nickel	9Q242000RN	\$215
Satin Nickel	9Q242000AP	\$215
Matte Black	9Q242000MB	\$215



ROUGHS

DUAL-CONTROL 3/4" THERMOSTATIC VALVE WITH VOLUME CONTROL AND DIVERTER ROUGH

Two independent water outlets

Vernet thermostatic cartridge

The thermostatic valve senses and controls the actual water temperature and blends hot water with cold water to ensure constant, safe temperatures, preventing scalding.

Integral shut-off non-return valves with filters to prevent cross flow

Built-in service stops

Flow rate: 10-12 GPM at 45 PSI

Rough-in depth minimum: 2-1/2"

Rough-in depth maximum: 3-1/4"

IAPMO listed

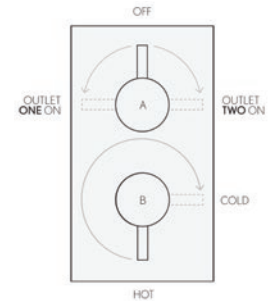
Massachusetts code approved

Compatible trims:

- Berea
- Darby
- Leyden
- Taos

2 FUNCTIONS, NON-SHARED

- A - Volume control / two-way diverter
- B - Temperature

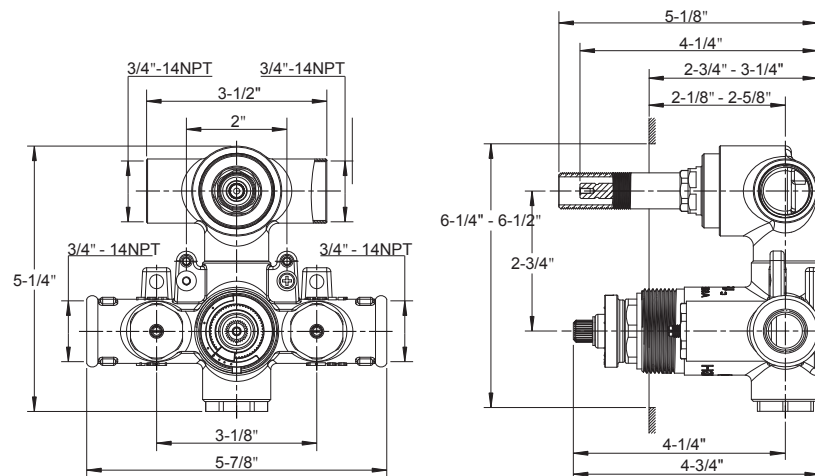


TH2-RGH

\$520

Extension Kit:

Polished Chrome	9Q242000CP	\$215
Polished Nickel	9Q242000RN	\$215
Satin Nickel	9Q242000AP	\$215
Matte Black	9Q242000MB	\$215



3/4" THERMOSTATIC VALVE ROUGH

Temperature control only; volume control(s)/diverters sold separately
Vernet thermostatic cartridge

The thermostatic valve senses and controls the actual water temperature and blends hot water with cold water to ensure constant, safe temperatures, preventing scalding.

Integral shut-off non-return valves with filters to prevent cross flow

Built-in service stops

Flow rate: 10-12 GPM at 45 PSI

Rough-in depth minimum: 2-1/2"

Rough-in depth maximum: 3-1/4"

IAPMO listed

Massachusetts code approved

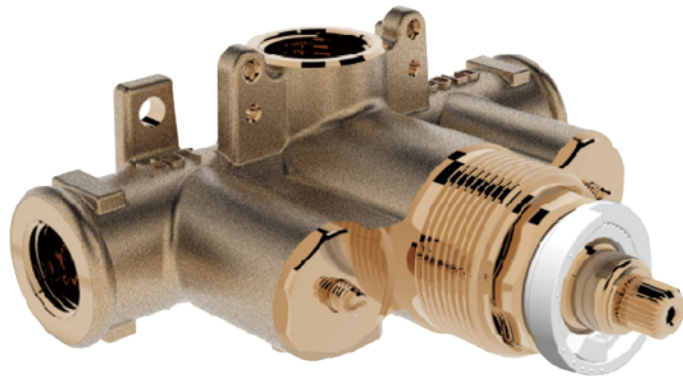
Compatible trims:

- Berea
- Darby
- Heir
- Leyden
- Taos
- Union

TEMPERATURE CONTROL ONLY

This valve is a mixer only and requires separate volume control(s).

See [page 418](#) for detailed information

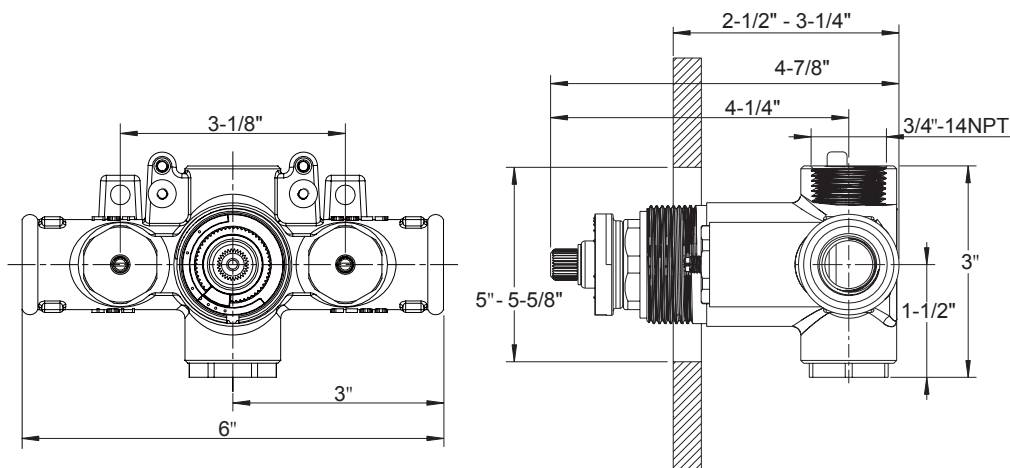


TH-RGH

\$400

Extension Kit:

Polished Chrome	9Q1172CP-PC	\$120
Polished Nickel	9Q1172RN-PN	\$120
Satin Nickel	9Q1172AP-SN	\$120
Matte Black	9Q1172MB	\$120



ROUGHS

PRESSURE-BALANCE VALVE ROUGH

One water outlet
 Kerox pressure-balance cartridge
 Pressure-balance cartridge maintains constant temperature in response to changes to hot and cold supply
 The cartridge can be reversed (hot for cold) for back to back installation
 Flow rate: 3-5 GPM at 45 PSI
 Rough-in depth minimum: 2-1/8"
 Rough-in depth maximum: 3"
 IAPMO listed
 Massachusetts code approved

1FUNCTION
 with temperature control

Compatible trims:

- Berea
- Darby
- Leyden
- Taos
- Union



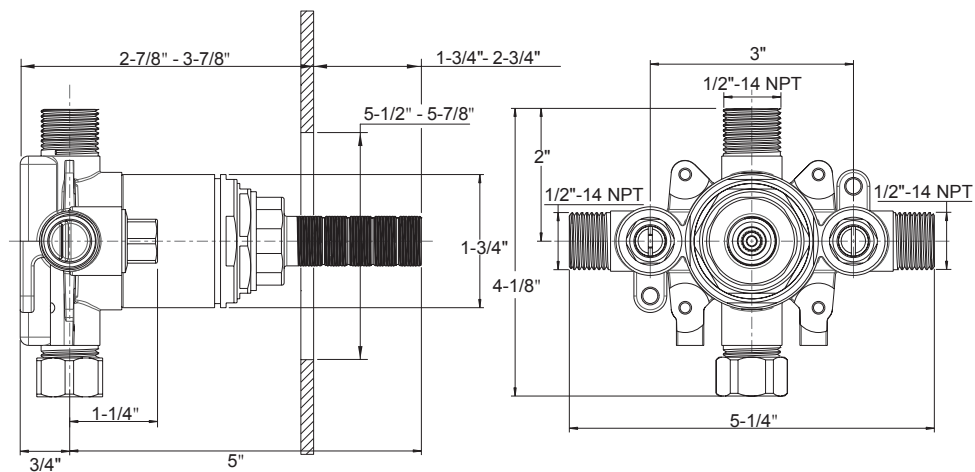
PBS-RGH

\$270

Extension kit:

5T1C0319NT + 5P0C0582NT

\$47



PRESSURE-BALANCE VALVE WITH DIVERTER ROUGH

Diverter alternates water flow between two outlets - tub spout/ shower head, tub spout/handshower, shower head/handshower

Kerox pressure-balance cartridge

Pressure-balance cartridge maintains constant temperature in response to changes to hot and cold supply

The cartridge can be reversed (hot for cold) for back to back installation

Flow rate: 3-5 GPM at 45 PSI

Rough-in depth minimum: 2-7/8"

Rough-in depth maximum: 3-7/8"

IAPMO listed

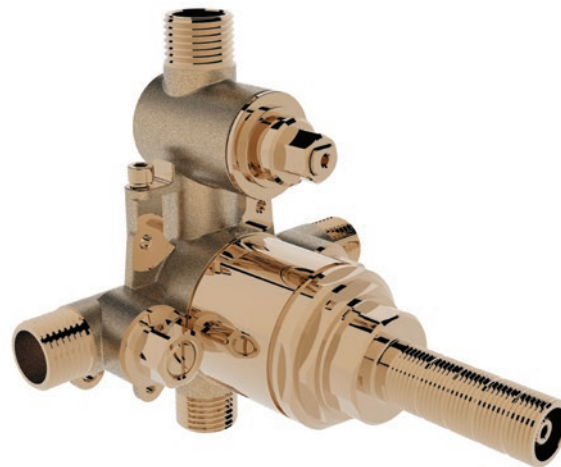
Massachusetts code approved

Compatible trims:

- Berea
- Darby
- Leyden
- Taos

**2 FUNCTIONS,
NON-SHARED**

- Two-way diverter
- Temperature



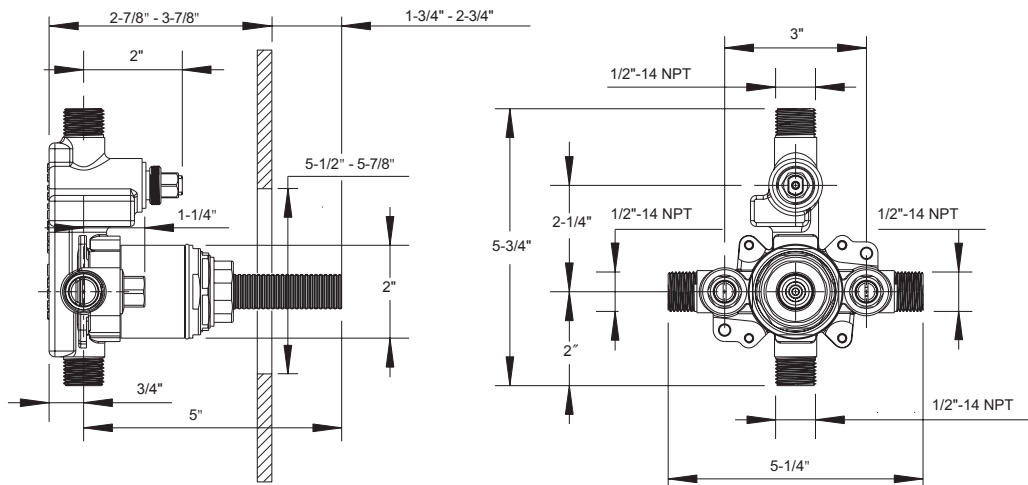
PBTS-RGH

\$290

Extension kit:

5T1C0319NT + 5P0C0582NT

\$47



ROUGHS

3/4" VOLUME CONTROL ROUGH

Volume control controls on/off and volume functions for a single component in a shower system

Flühs quarter-turn ceramic disc cartridge

Rough-in depth minimum: 1-7/8"

Rough-in depth maximum: 2-5/8"

IAPMO listed, Massachusetts code approved

Compatible trims:

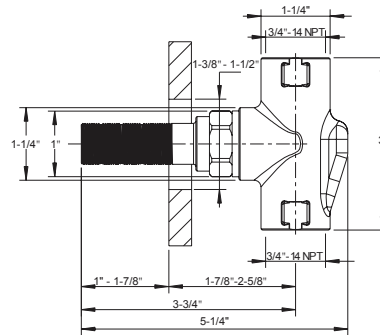
- Bera
- Darby
- Heir
- Leyden
- Taos
- Union

VC-RGH

\$120

Extension kit:
5T1C0319NT + 5P0C0582NT

\$47



VOLUME CONTROL ONLY



3/4" TWO-WAY DIVERTER ROUGH

Diverter alternates water flow between two water outlets. **Note: Diverters do not start, stop or control water flow.**

Kerox diverter cartridge

Rough-in depth minimum: 1-7/8"

Rough-in depth maximum: 2-5/8"

IAPMO listed, Massachusetts code approved

Compatible trims:

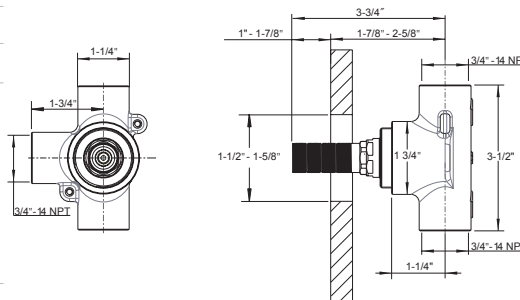
- Bera
- Darby
- Heir
- Leyden
- Taos
- Union

DIV-RGH

\$240

Extension kit:
5T1C0319NT + 5P0C0582NT

\$47



2 FUNCTION DIVERTER



1/2" THREE-WAY DIVERTER ROUGH

Diverter alternates water flow between three water outlets. **Note: Diverters do not start, stop or control water flow.**

Kerox diverter cartridge

Rough-in depth minimum: 2-1/8"

Rough-in depth maximum: 2-7/8"

IAPMO listed, Massachusetts code approved

Compatible trims:

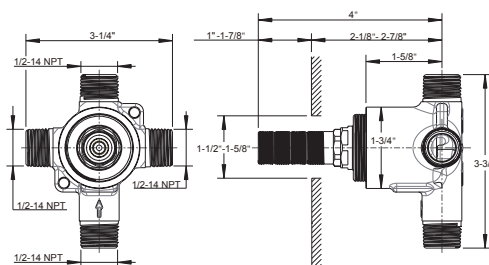
- Bera
- Darby
- Heir
- Leyden
- Taos
- Union

3DV-RGH

\$200

Extension kit:
5T1C0319NT + 5P0C0582NT

\$47



3 FUNCTION DIVERTER



DECK-MOUNT TUB FAUCET WITH HANDSHOWER ROUGH

Rough valve for deck tub sets with handshower
15-03-T and 17-03-T

Flühs volume control cartridges

Inlet connection: 3/4" NPT

Deck thickness maximum: 2-1/8"

Handle spread maximum: 19"

IAPMO listed

Massachusetts code approved

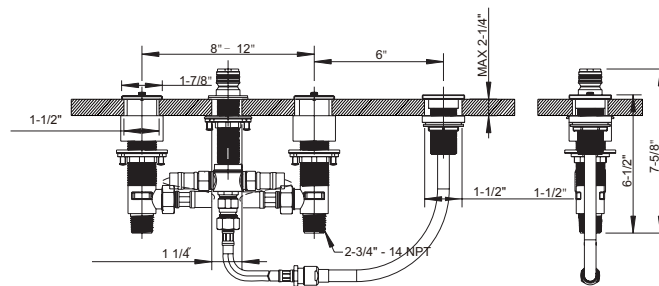
Compatible trims:

- Darby
- Taos



DTHS-S-RGH

\$430



DECK-MOUNT TUB FAUCET WITH HANDSHOWER ROUGH

Rough valve for deck tub sets with handshower
11-03-T and 14-03-T

Flühs volume control cartridges

Inlet connection: 3/4" NPT

Deck thickness maximum: 2-1/8"

Handle spread maximum: 19"

IAPMO listed

Massachusetts code approved

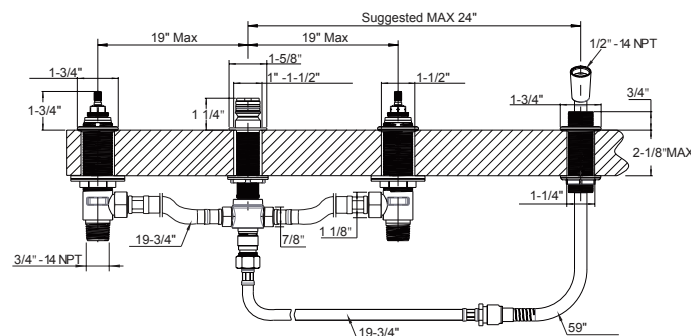
Compatible trims:

- Berea
- Leyden



DTHS-R-RGH

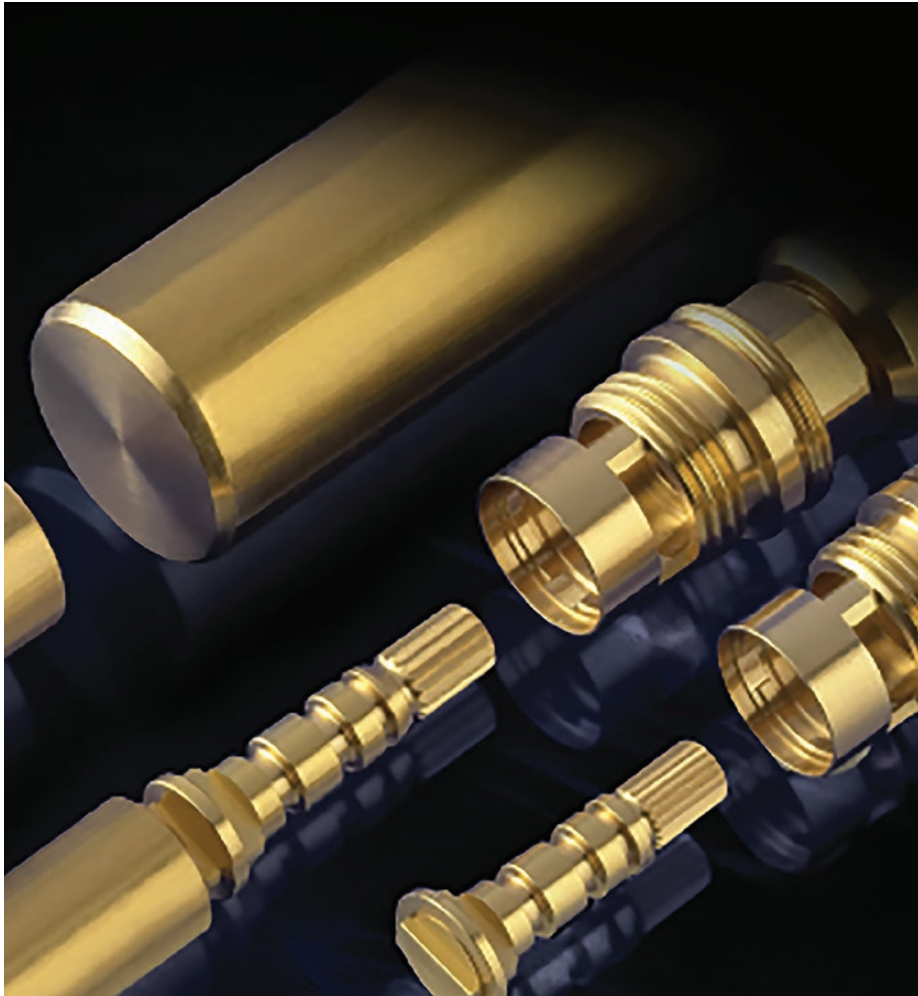
\$430



ROUGHS



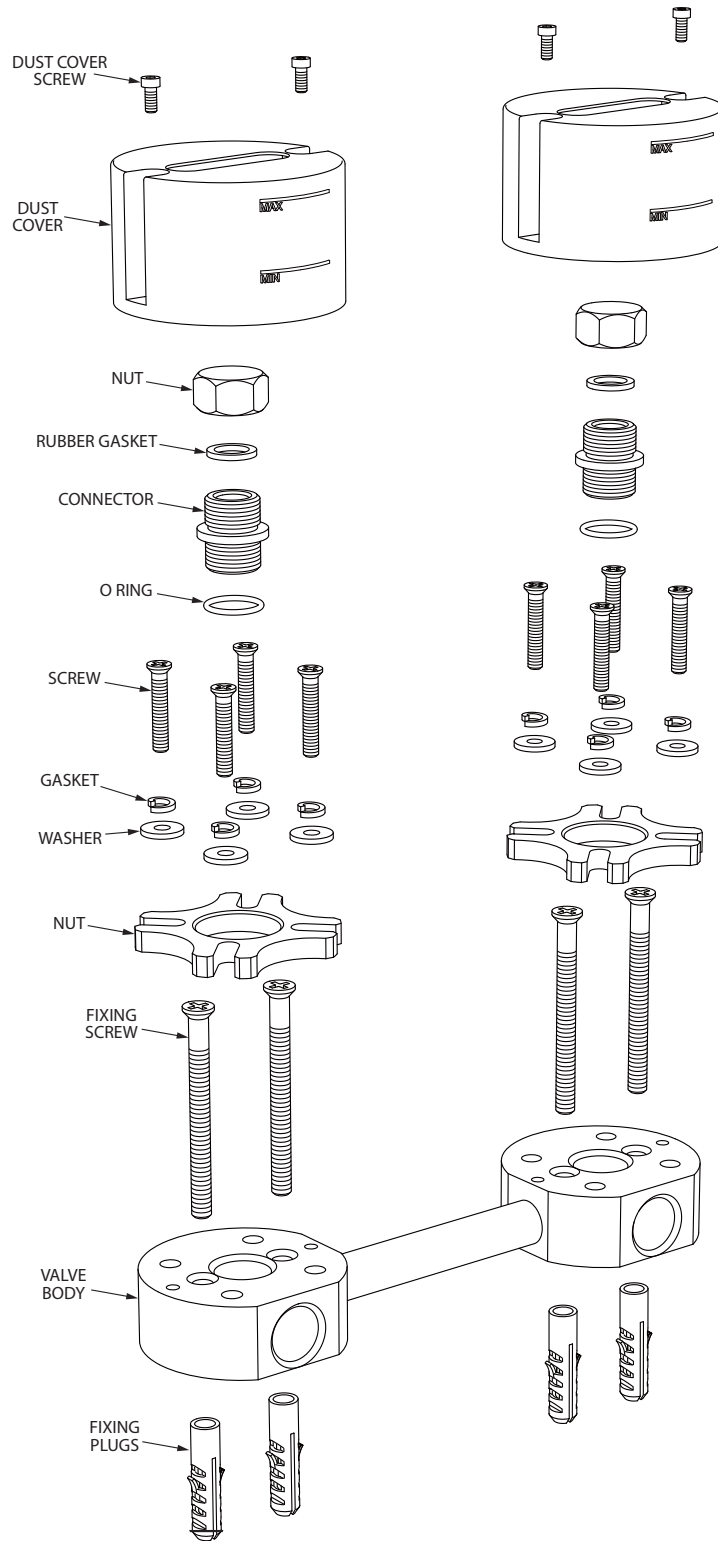
SPARE PARTS



BEST-IN-CLASS COMPONENTS,
TRUSTED BY TOP BRANDS
THROUGHOUT THE WORLD.

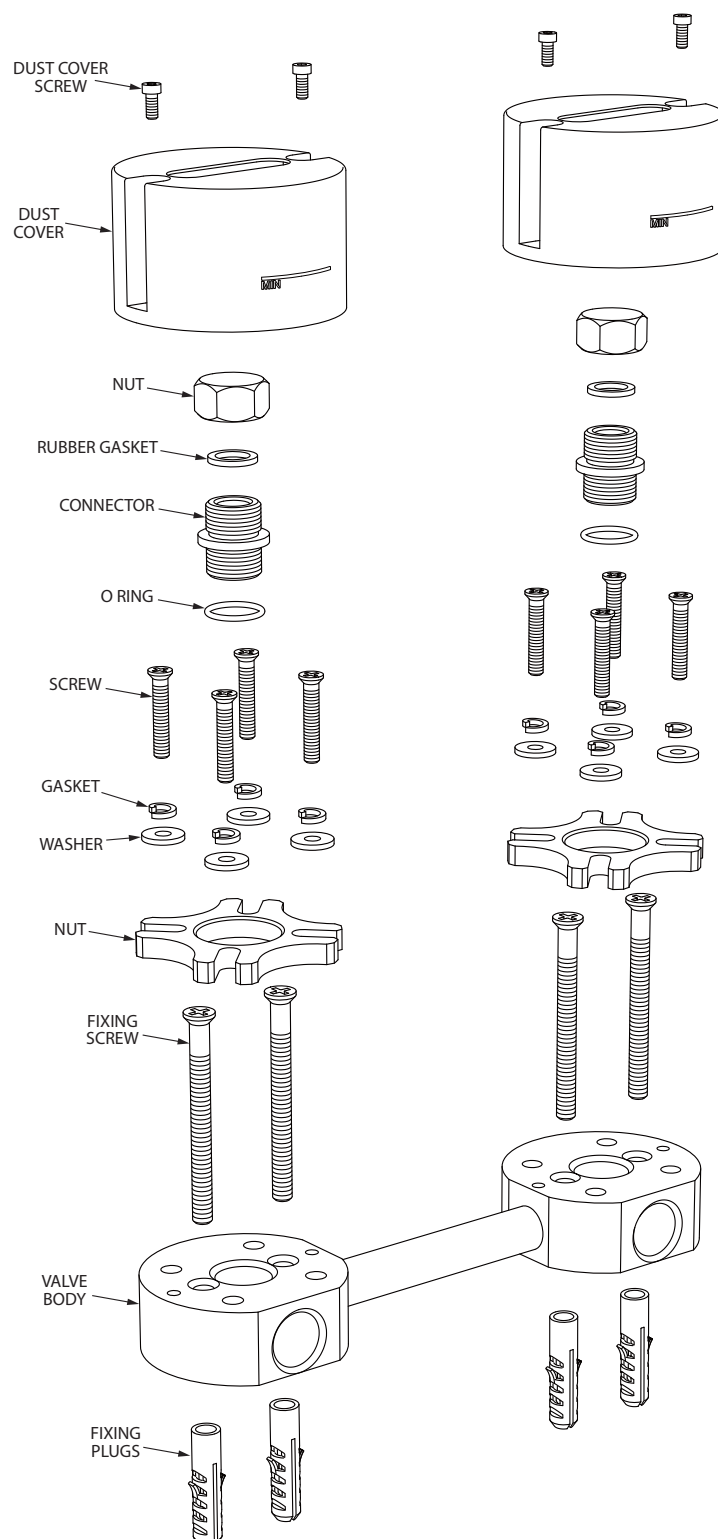
ROUGH FOR UNION FLOOR-MOUNT TUB FILLER

US-399ROUGH



ROUGH FOR FLOOR-STANDING PILLAR LEGS

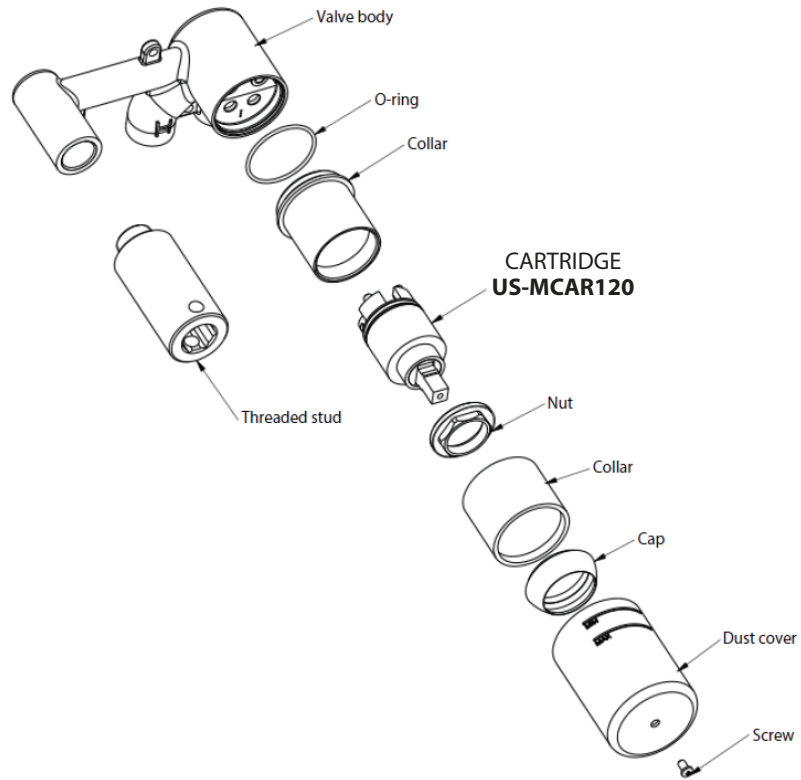
US-AA002ROUGH



ROUGH FOR WALL-MOUNT SINGLE-LEVER BASIN FAUCET

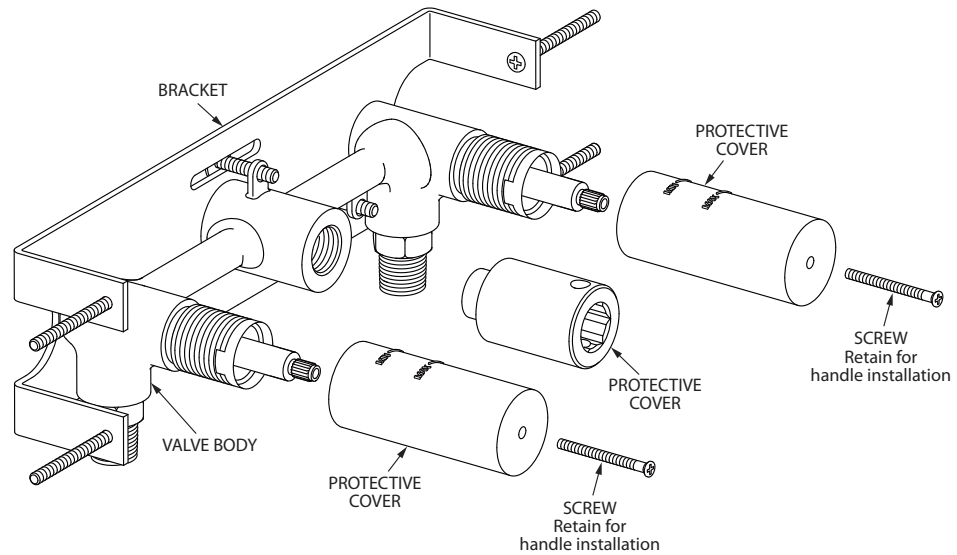
US-120ROUGH

DESCRIPTION	PART NUMBER
1 Cartridge	US-MCAR120



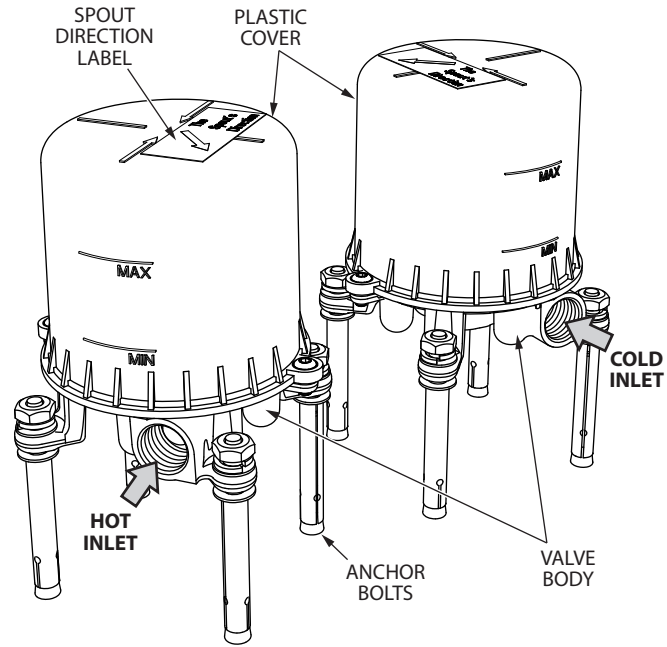
ROUGH FOR WALL-MOUNT THREE-HOLE BASIN FAUCET

US-130ROUGH



ROUGH FOR FLOOR-MOUNT SINGLE-HOLE TUB FILLER

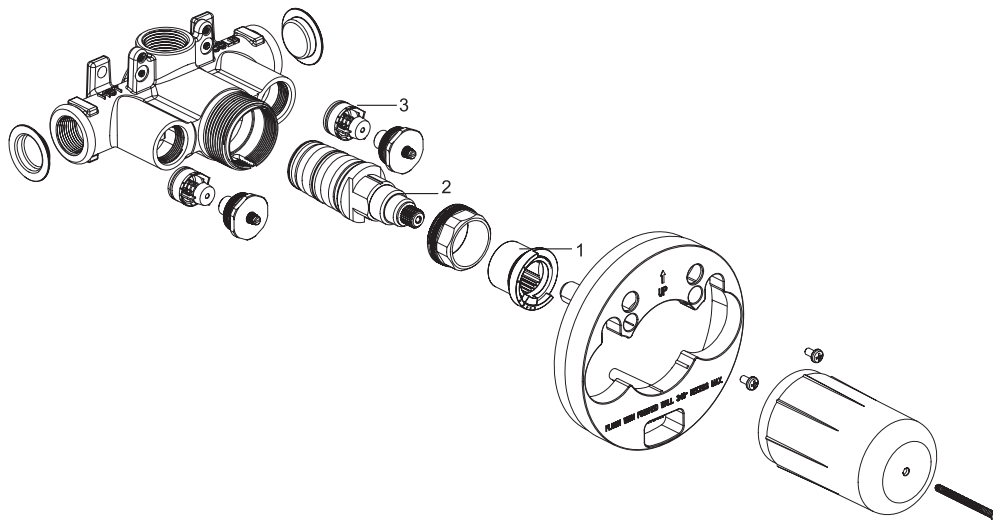
US-418ROUGH



3/4" THERMOSTATIC VALVE ROUGH

TH-RGH

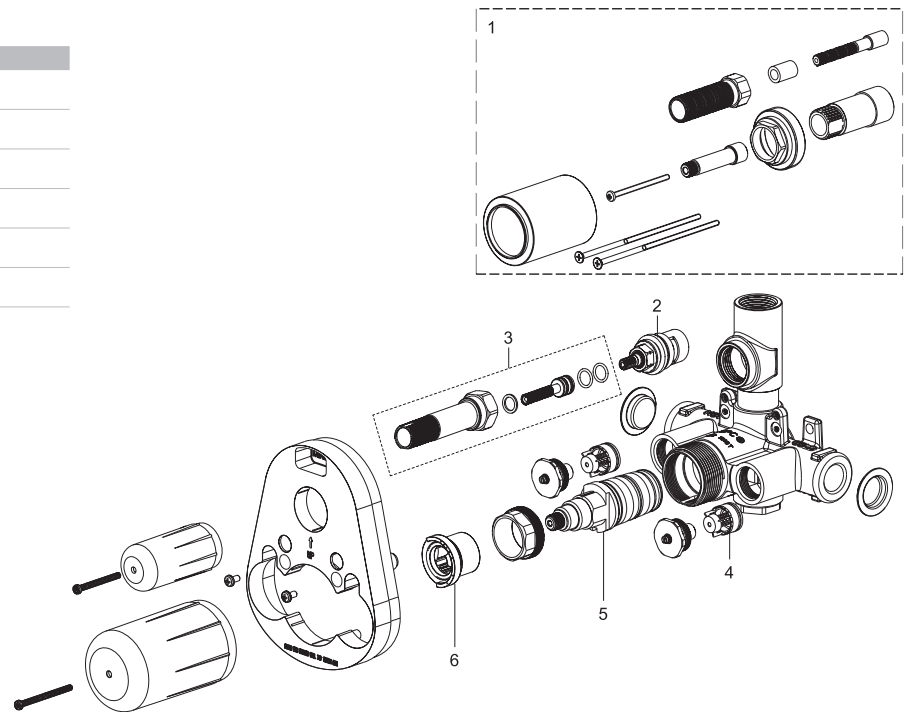
DESCRIPTION	PART NUMBER
1 Temperature Control Rings	5K202720PL
2 Thermostatic Cartridge	5K205117PL
3 Check Valve	5K013107PL



DUAL-CONTROL 3/4" THERMOSTATIC VALVE WITH VOLUME CONTROL ROUGH

TH1-RGH

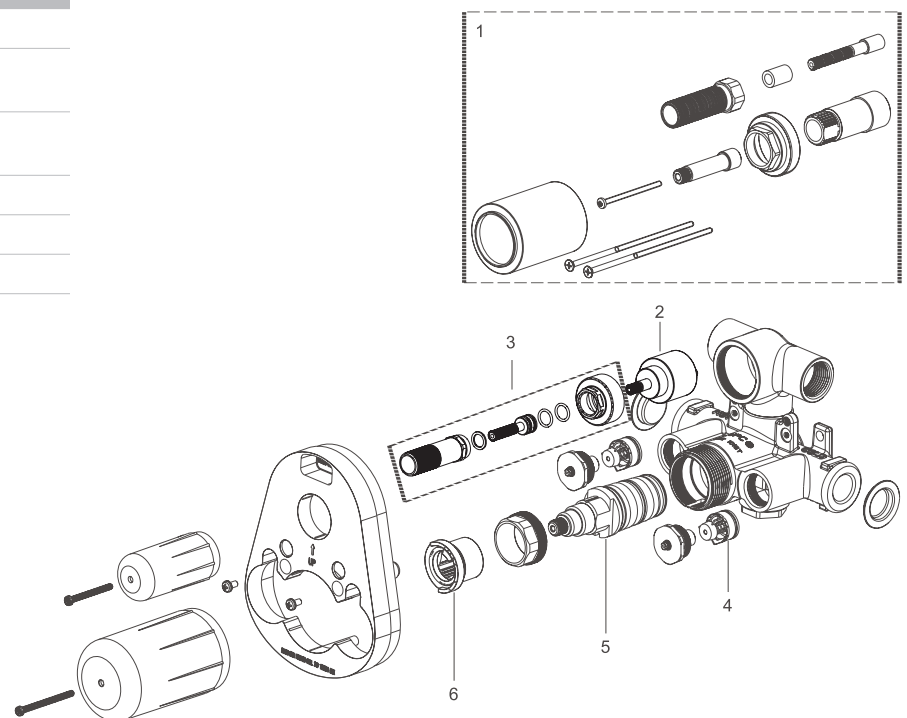
	DESCRIPTION	PART NUMBER
1	Extension Kit	9Q242000
2	Volume Control Cartridge	5K217302NT
3	Volume Control Nipple	5K217366NT
4	Check Valve	5K013107PL
5	Thermostatic Cartridge	5K205117PL
6	Temperature Control Rings	5K202720PL



DUAL-CONTROL 3/4" THERMOSTATIC VALVE WITH VOLUME CONTROL AND DIVERTER ROUGH

TH2-RGH

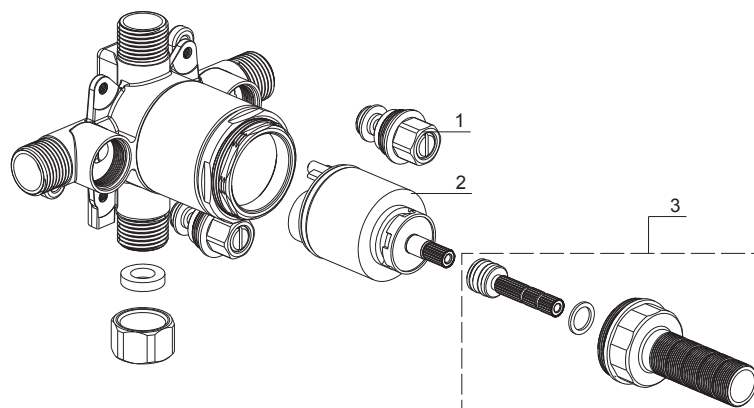
	DESCRIPTION	PART NUMBER
1	Extension Kit	9Q242000
2	Diverter-Volume Control Cartridge	5K217404PL
3	Diverter and Volume Control Assembly	5K217488NT
4	Check Valve	5K013107PL
5	Thermostatic Cartridge	5K205117PL
6	Temperature Control Rings	5K202720PL



PRESSURE-BALANCE VALVE ROUGH

PBS-RGH

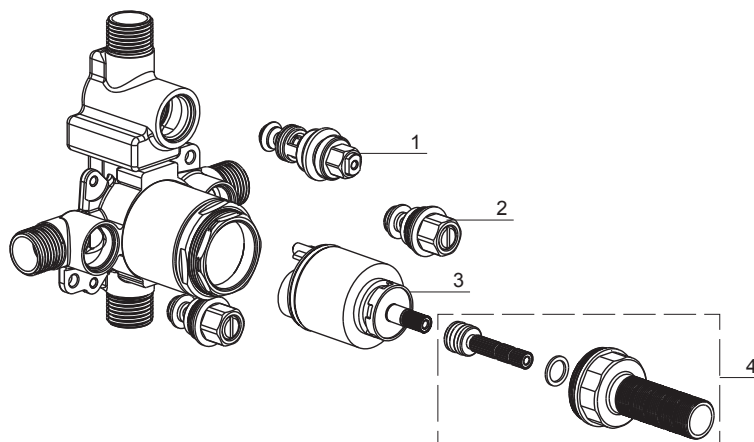
	DESCRIPTION	PART NUMBER
1	Stop Valve	9Q1152NT
2	Pressure Balance Cartridge	5D0M0262PL
3	Stem & Thread Nipple	9Q117NT



PRESSURE-BALANCE VALVE WITH DIVERTER ROUGH

PBTS-RGH

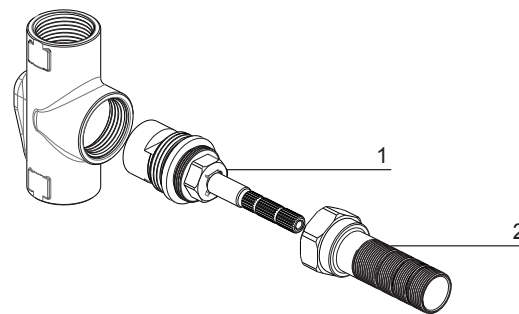
	DESCRIPTION	PART NUMBER
1	Diverter Assembly	9Q259800NT
2	Stop Valve	9Q1152NT
3	Pressure Balance Cartridge	5D0M0262PL
4	Stem & Thread Nipple	9Q1173NT



3/4" VOLUME CONTROL ROUGH

VC-RGH

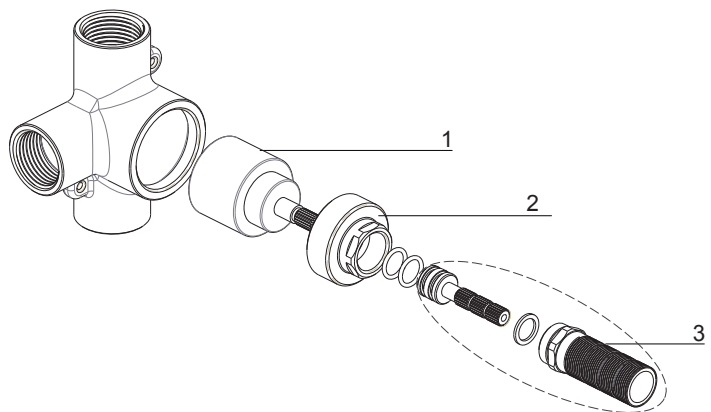
	DESCRIPTION	PART NUMBER
1	Cartridge	5DOM0139NT
2	Threaded Nipple	5J0C1029NT



3/4" TWO-WAY DIVERTER ROUGH

DIV-RGH

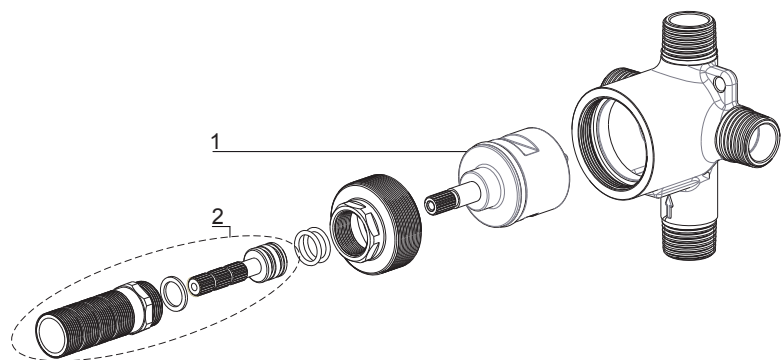
	DESCRIPTION	PART NUMBER
1	Cartridge	5DOM0242PL
2	Cartridge Nut	5T1C0304NT
3	Stem & Threaded Nipple	9Q1142NT



1/2" THREE-WAY DIVERTER ROUGH

3DV-RGH

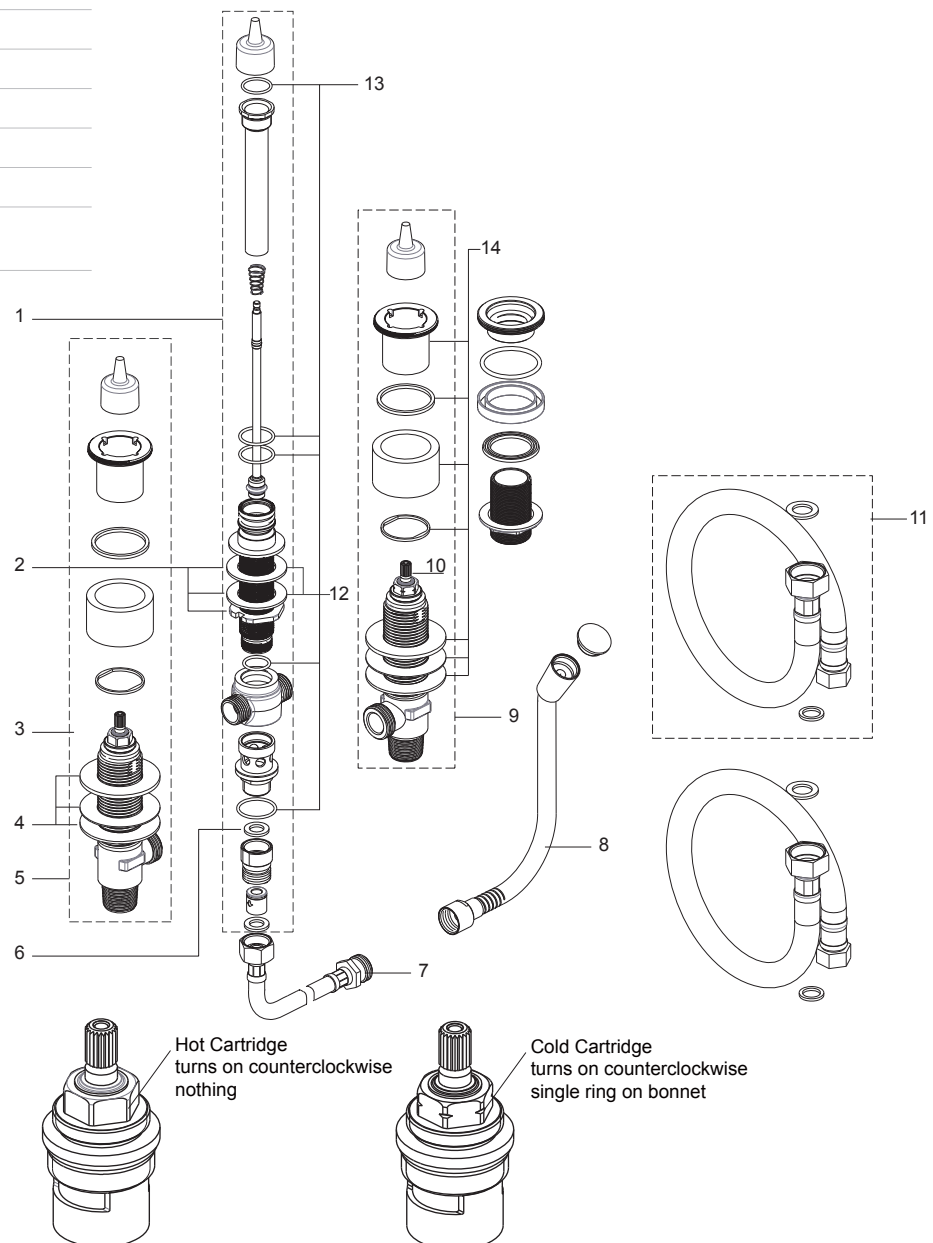
	DESCRIPTION	PART NUMBER
1	Cartridge	5D0001300PLO
2	Stem & Threaded Nipple	9Q1142NT



DECK-MOUNT TUB FAUCET WITH HANDSHOWER ROUGH

DTHS-S--RGH

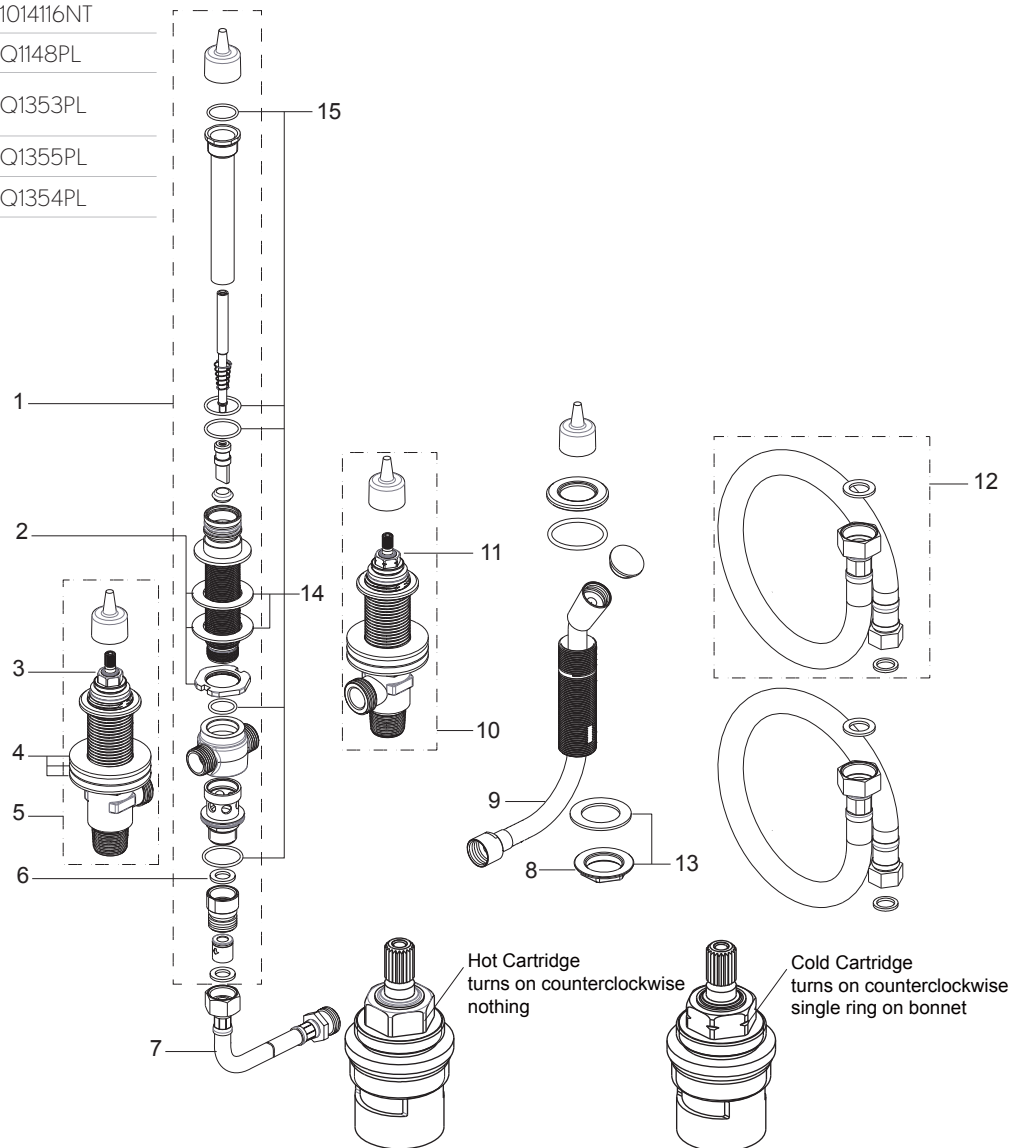
	DESCRIPTION	PART NUMBER
1	Spout Diverter Assembly	9Q1190NT
2	Spout Mounting Hardware	9Q1149NT
3	Cartridge(Hot)	51014109NT
4	Mounting Hardware for Valves	9Q1151NT
5	Hot Valve Body Assembly	9Q1188NT
6	Washer	51014130PL
7	Hose (19-11/16")	51014144NC
8	Hand Shower Hose (59-1/16")	5G0M0191CP
9	Cold Valve Body Assembly	9Q1189NT
10	Cartridge (Cold)	51014116NT
11	Flex Lines (19-11/16")	9Q1148PL
12	Spout Washers	9Q1355PL
13	Spout O-rings	9Q1354PL
14	Spacers & Mounting Hardware for Valves	9Q1402NT



DECK-MOUNT TUB FAUCET WITH HANDSHOWER ROUGH

DTHS-R-RGH

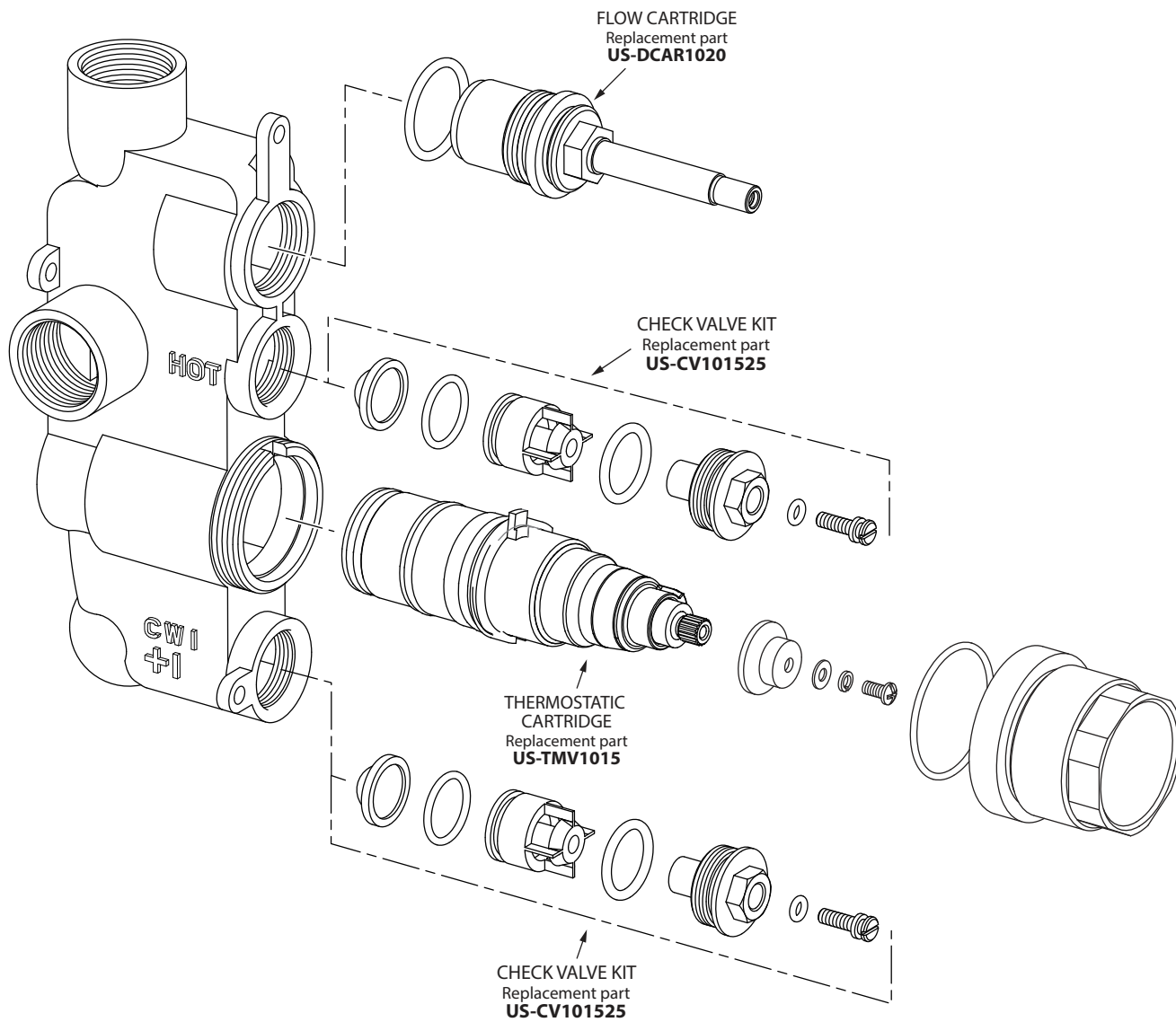
	DESCRIPTION	PART NUMBER
1	Spout Diverter Assembly	9Q1184NT
2	Spout Mounting Hardware	9Q1149NT
3	Cartridge (Hot)	51014109NT
4	Mounting Hardware for valves	9Q1151NT
5	Hot Valve Body Assembly	51014115CC
6	Washer	51014130PL
7	Hose (19-11/16")	51014144NC
8	Nut	51014141NT
9	Hand Shower Hose (59-1/16")	5G0M0191CP
10	Cold Valve Body Assembly	51014107CC
11	Cartridge (Cold)	51014116NT
12	Flex Lines (19-11/16")	9Q1148PL
13	Hand Shower Bracket Mounting Nut & Washer	9Q1353PL
14	Spout Washers	9Q1355PL
15	Spout O-rings	9Q1354PL



1000 3/4" THERMOSTATIC ROUGH WITH SINGLE INTEGRATED VOLUME CONTROL

US-WLPB1000R

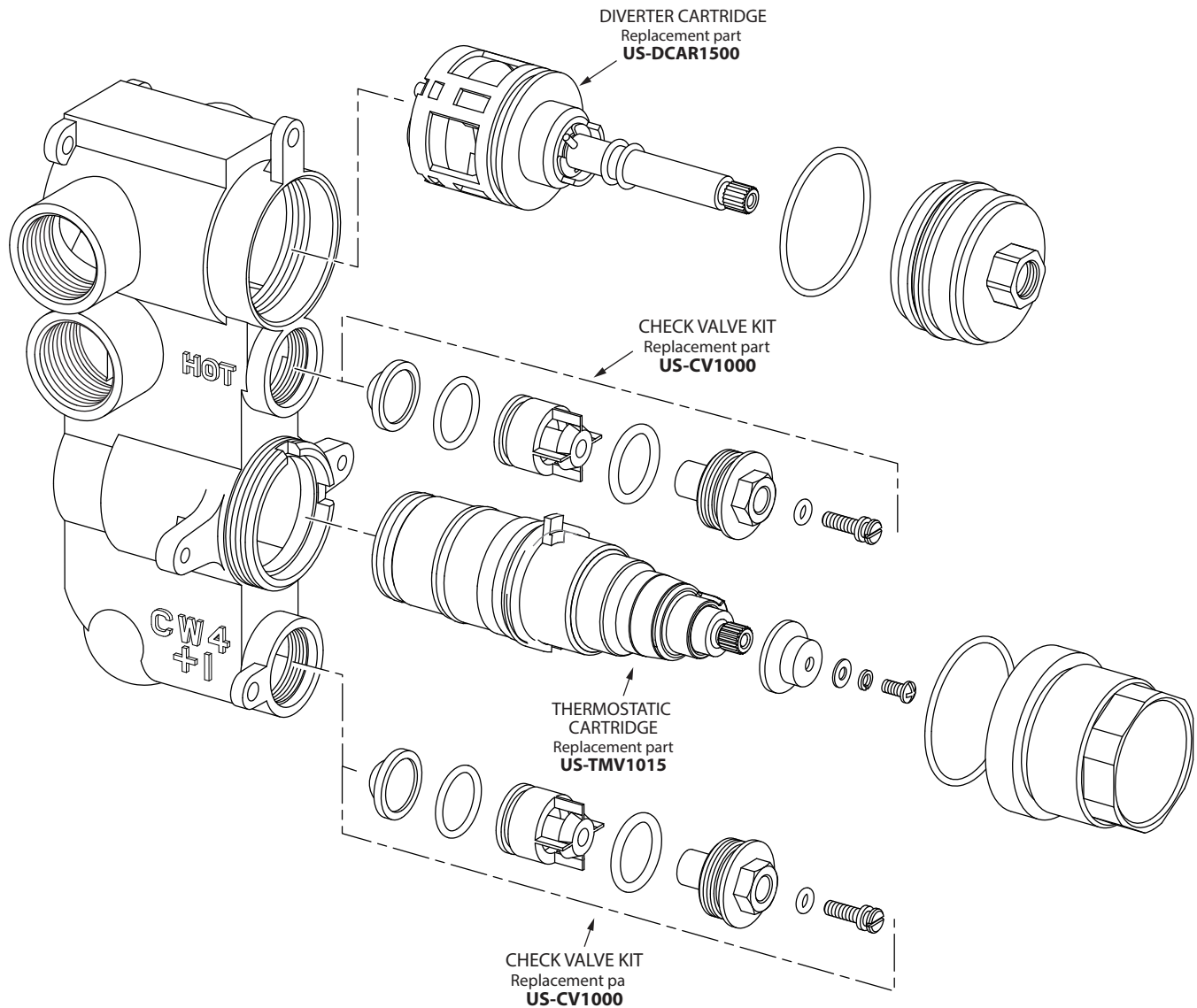
	DESCRIPTION	PART NUMBER
1	Flow Cartridge	US-DCAR1020
2	Check Valve Kit	US-CV1000
3	Thermostatic Cartridge	US-TMV1015



1500 3/4" THERMOSTATIC ROUGH WITH VOLUME CONTROL/DIVERTER

US-WLPB1500R

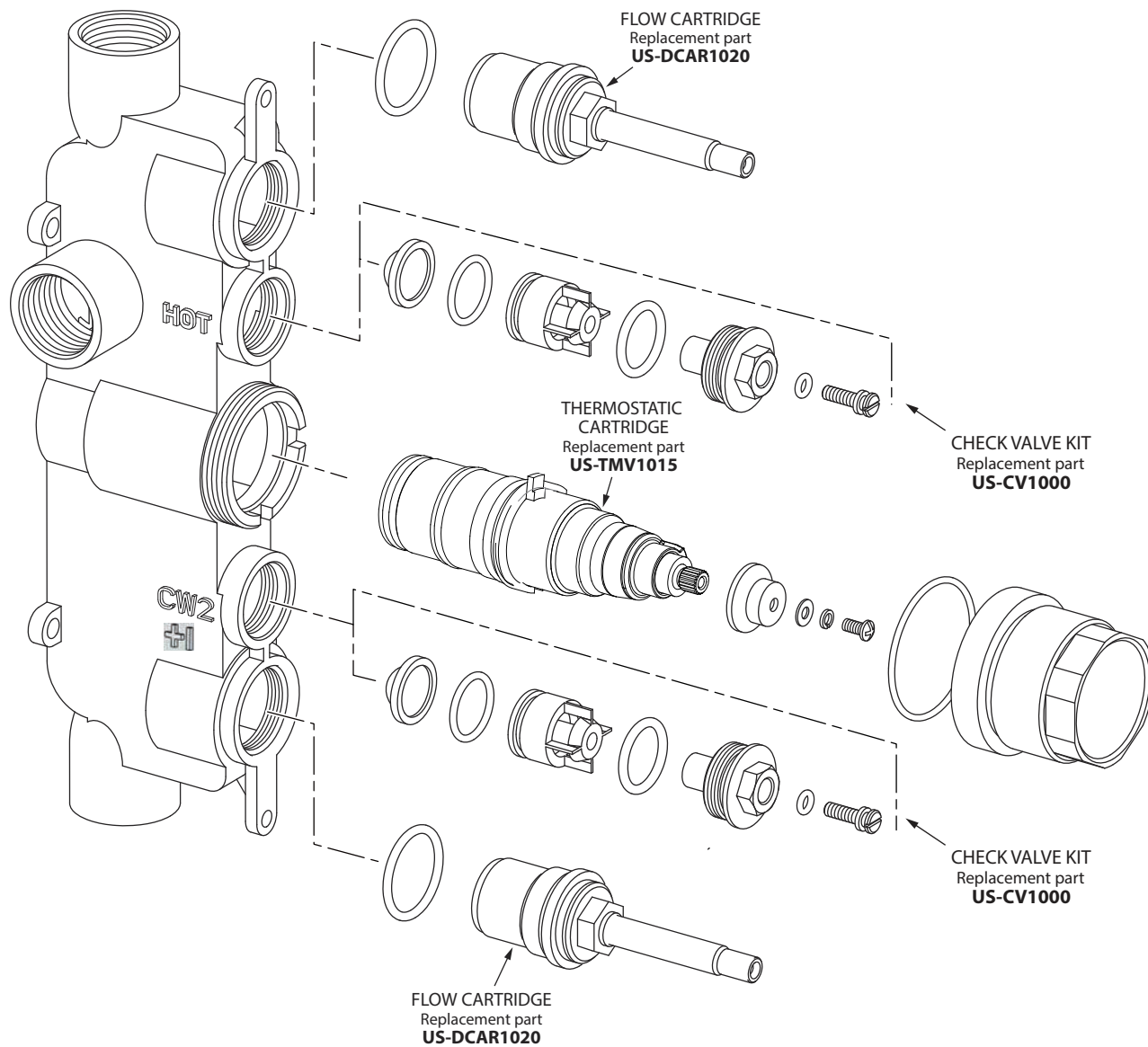
	DESCRIPTION	PART NUMBER
1	Diverter Cartridge	US-DCAR1500
2	Check Valve Kit	US-CV1000
3	Thermostatic Cartridge	US-TMV1015



2000 3/4" THERMOSTATIC ROUGH WITH TWO INTEGRATED VOLUME CONTROLS

US-WLPB2000R

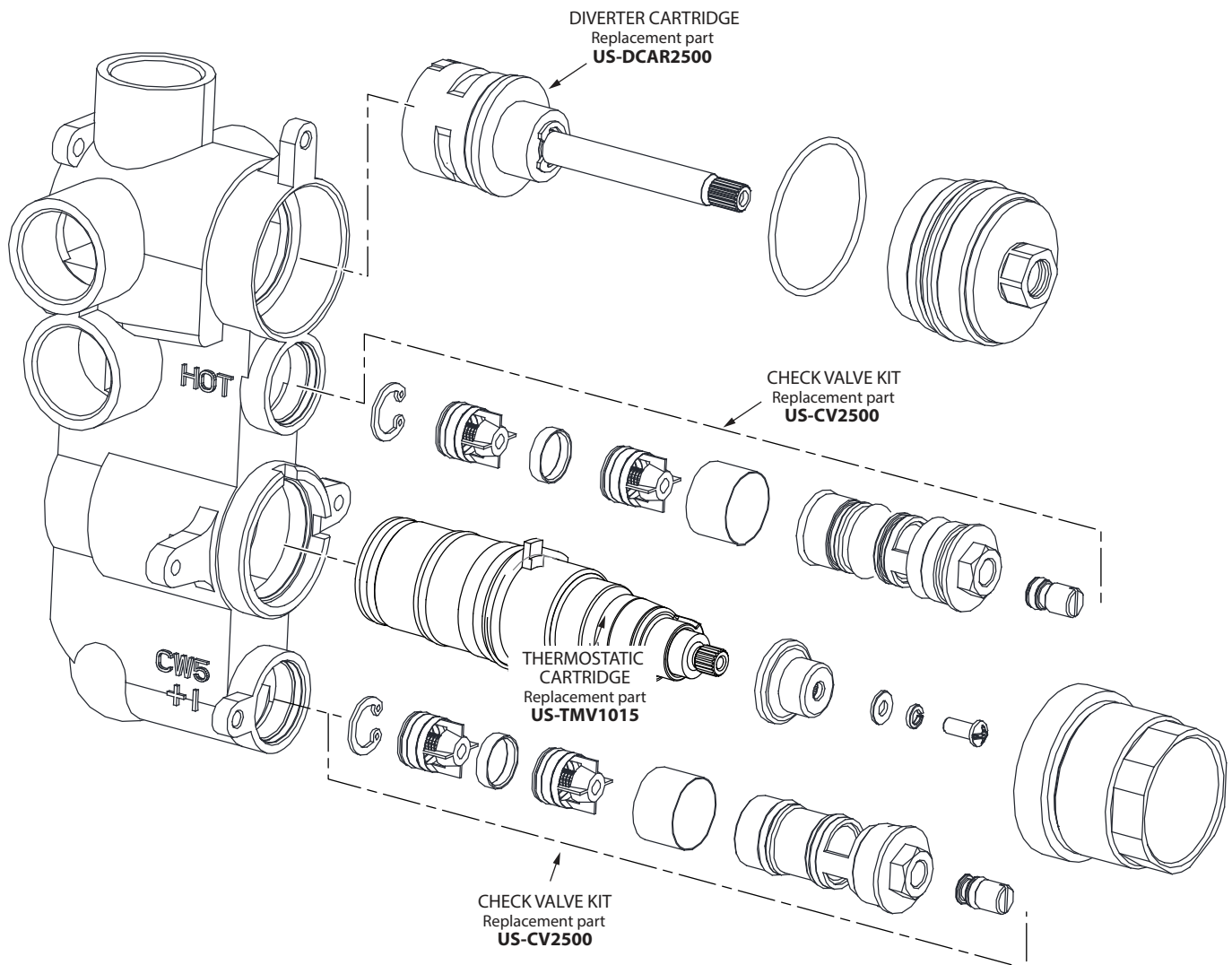
	DESCRIPTION	PART NUMBER
1	Flow Cartridge	US-DCAR1020
2	Check Valve Kit	US-CV1000
3	Thermostatic Cartridge	US-TMV1015



2500 3/4" THERMOSTATIC ROUGH WITH INTEGRATED VOLUME CONTROL/THREE-WAY DIVERTER

US-WLPB2500R

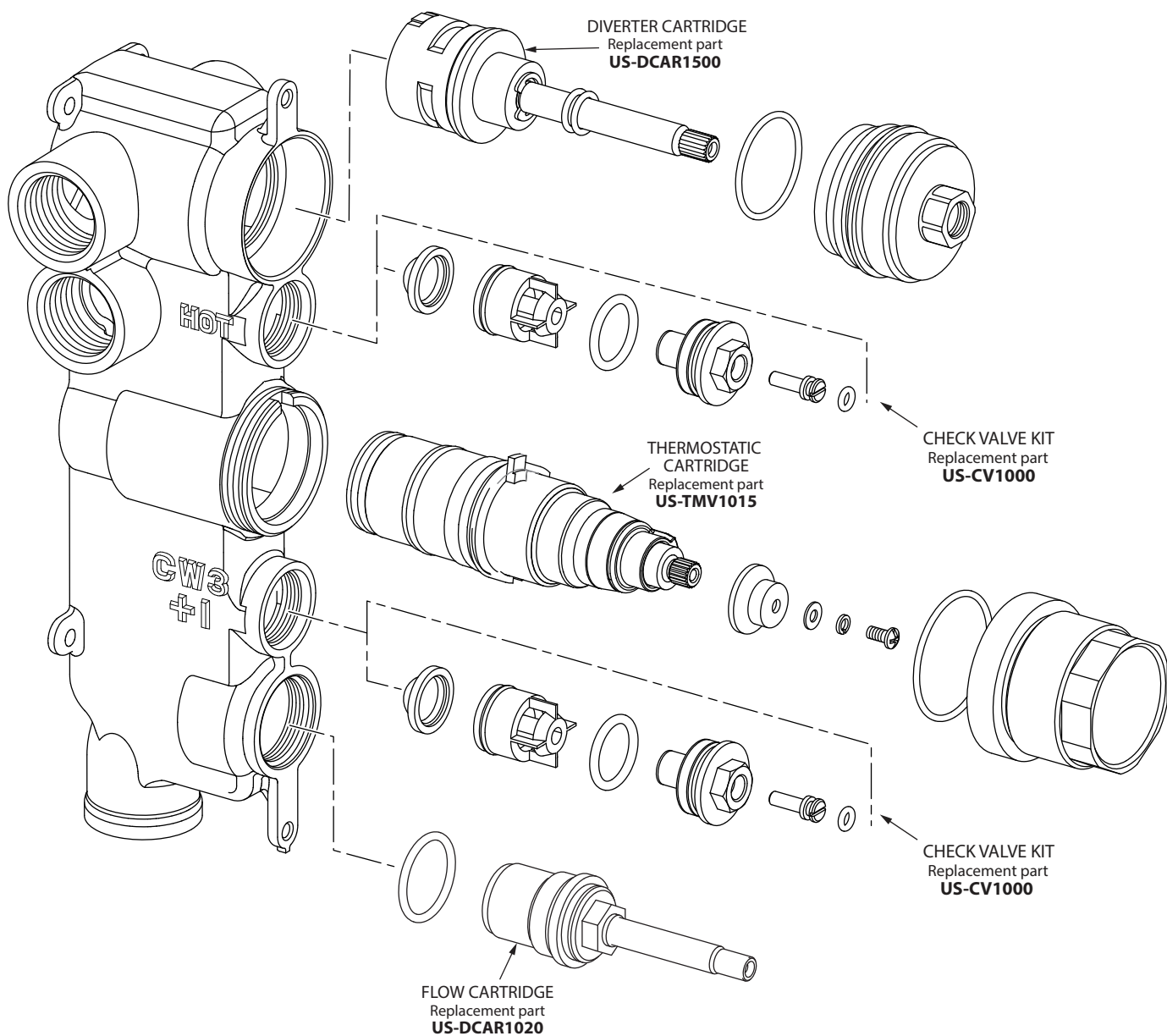
	DESCRIPTION	PART NUMBER
1	Diverter Cartridge	US-DCAR2500
2	Check Valve Kit	US-CV2500
3	Thermostatic Cartridge	US-TMV1015



3000 3/4" THERMOSTATIC ROUGH WITH INTEGRATED VOLUME CONTROL AND VOLUME CONTROL/TWO-WAY DIVERTER

US-WLPB3000R

DESCRIPTION	PART NUMBER
1 Diverter Cartridge	US-DCAR1500
2 Thermostatic Cartridge	US-TMV1015
3 Check Valve Kit	US-CV1000
4 Flow Cartridge	US-DCAR1020





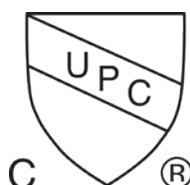
COMPLIANCE

At Crosswater London, we pride ourselves on our track record of exceeding the industry's most stringent standards. In the UK, we hold more WRAS (Water Regulation Advisory Scheme) listings than any other British manufacturer. In order to obtain a WRAS listing we have to show that our products not only exceed British standards but that the quality of the products we supply to our customers is maintained.

This is also the ethos we have followed in North America, all of our basin faucets comply with low-lead standards.

We have faucets, shower heads and toilets that meet the water-saving requirements of both WaterSense and the California Energy Commission, as well as IAPMO (cUPC) and CSA listed product.

In order to achieve this we use the best components from top European suppliers such as Flühs, Neoperl, Vernet and Kerox. We have our own dedicated quality and compliance team who ensure that every product we make adheres to strict quality controls.



THE CROSSWATER LONDON WARRANTY

Our commitment to quality & excellence

CROSSWATER LIMITED WARRANTY

The following are the terms and conditions of Crosswater London's exclusive written warranty. No warranty by any person in addition to or different from those made in this limited warranty shall be binding on Crosswater London.

This warranty is limited to those original purchasers who purchase genuine Crosswater London products from its "AUTHORIZED DEALERS" and is not transferable. Proof of purchase from the original consumer purchaser must be made available to Crosswater London for all warranty claims.

Crosswater London provides this warranty on its products installed in a residential application.

MECHANICAL WARRANTY

A limited lifetime warranty is provided on all mechanical parts to be free from defects in material and workmanship under normal usage. This limited lifetime warranty does not apply to the replacement of components where damage is caused by normal wear and tear.

CARTRIDGE WARRANTY

A limited lifetime warranty is provided on all ceramic disc cartridges. All other cartridges (including diverter, thermostatic and pressure balance cartridges) are warranted for a period of five (5) years from the date of purchase.

FINISHES AND DRAINS WARRANTY

Limited lifetime warranty on all finishes except living finishes and drains which are excluded from the finish warranty.

Due to the nature of drain usage, there is no finish warranty on any drain product (including pop-up drains, lavatory drains and tub drains).

The use of any lead-based acidic curing adhesive, mastic or plumber's putty will void the finish warranty.

Any product installed outdoors, in a marine environment or exposed to direct sunlight is excluded from the finish warranty.

CERAMICS AND FURNITURE

The warranty period on Vitreous China and Fireclay is limited lifetime.

The warranty period on Bathtubs is limited lifetime.

The warranty for Furniture & Hardware is five (5) years.

The warranty for mechanical components for toilets is five (5) years.

The warranty on the ITD Island Tub Adaptor is five (5) years.

The warranty on toilet seats is one (1) year.

EXCLUSIONS AND DISCLAIMERS

Removal of flow-limiting restrictors in any product will void the warranty.

This warranty is void for any damages due to misuse, abuse, neglect, accident, improper installation, improper care of finishes, hard water or mineral deposits, potassium or

WARRANTY CLAIMS

Warranty claims may be made by calling (844) 992-8371 or by writing to:

c/o Crosswater London

Forte Brands

393 Fortune Boulevard

Milford, MA 01757

technical@fortebrands.com

Proof of purchase (original sales receipt) from the original purchaser must be made available to Crosswater London for all warranty claims. This Limited Warranty applies only to products that are installed in the United States of America and Canada.

NOTE: Forte Brands LLC has no responsibility with respect to the warranty and claims made. Forte Brands LLC is merely the processor and conduit with respect to the same and customer agrees thereto for all purposes.

salt-based water softener systems, exposure to corrosive materials or use in any manner contrary to Crosswater London installation instructions or intended use.

The use of any replacement parts other than genuine Crosswater London parts will void the warranty.

This warranty does not cover labor charges or associated costs for damages occurring during the removal, transportation, return or installation of products or replacement products.

This warranty is made to the original consumer purchaser in the original installation and is effective from the date of purchase, as shown on the purchaser's receipt. During the warranty period, Crosswater London will replace any part, which proves defective in material and/or workmanship under normal installation, use and service. Any covered faucet part that fails during the terms of this warranty will be replaced at no charge. Replacement parts can be obtained from your local dealer or distributor or by returning the part to the factory; transportation charges prepaid, to Crosswater London.

This warranty is the exclusive warranty granted by Crosswater London and is in lieu of all other warranties of merchantability and fitness for a particular purpose and is further limited to defective parts replacement only. Labor charges and/or damage incurred in installation, repair or replacement, as well as incidental and consequential damages, are excluded. Some states do not allow the exclusion or limitation of incidental or consequential damages, so the above limitation or exclusion may not apply to you.

LIMITED COMMERCIAL WARRANTY

Crosswater London extends the above limited warranty to purchasers of products for industrial, commercial and business use upon the same terms and conditions and exclusions applicable to residential purchasers, except that the finish, cartridge and mechanical warranty is reduced to one (1) year from the date of purchase. Additionally, with respect to commercial purchasers, all implied warranties, including the implied warranties of merchantability and fitness for a particular purpose, are excluded.

Crosswater London USA is a trade name of Bathroom Brands US, LLC, which is solely responsible for this warranty.

THE CROSSWATER LONDON

TERMS & CONDITIONS

FREIGHT TERMS

FFA \$6000 NET or FCA Milford, MA

Tub Freight (N/A on FFA orders):

- Western Zone: \$250
- Eastern Zone: \$125

Drop Ship requiring Tailgate Delivery:

- NET \$200
(additional to standard shipping rates if below FFA)
- Freight quotation available upon request

UPS Drop Ship:

- NET \$15 + Standard Applicable rates

DELIVERY RECEIPTS

On receipt of delivery, please inspect goods to ensure all items are in satisfactory condition.

Any missing items or damaged goods must be reported within three (3) business days of delivery and prior to installation. Any claims made outside of this time frame will not be accepted.

To submit a claim for damaged or missing goods, please send an email with details of the issue, purchase order number, and images to returns@fortebrands.com.

Crosswater London will not accept claims relating to goods that have been delivered to a third party forwarding agent for onward shipment.

Please note that all delivery dates are given in good faith. While every effort is made to deliver orders as promptly as possible Crosswater London cannot be held liable for any associated costs relating to delivery beyond the dates given in good faith.

INCORRECT ITEMS AND DEFECTIVE PRODUCT

If incorrect item(s) have been received, please contact Crosswater London as soon as possible. The correct item(s) will be shipped promptly and the incorrect item(s) will be picked up at the expense of Crosswater London.

Installation of product is deemed acceptance of product and Crosswater London shall not be liable for, and will not recognize, claims made after the start of the installation including:

- Claims of incorrect product
- Claims of incorrectly sized, colored, shaded or packaged product
- Claims of product not matching prior shipments; and/or any other product claims.

If a product fault has been identified following installation please contact Crosswater London technical support for assistance. Do not remove installed product(s) until instructed by Crosswater London Technical support. We will not honor claims for defective product after installation unless prior approval is obtained, in writing, from Crosswater London Technical Support. Similarly, if a part is missing, please do not reorder the complete item and request an RGA unless instructed by Crosswater London. In many instances, part(s) will be provided to resolve the issue, eliminating the need for a return.

If it is determined that a product is faulty and needs to be returned, a return label will be issued and full credit will be given once the product is received and inspected in our warehouse. Return labels expire 30 days after issue, and if allowed to expire Crosswater London is no longer responsible for return shipping.

RETURNS

Crosswater London offers the opportunity to return an item that is no longer required. In these instances, the item must have not been installed and must be in perfect condition (including packaging) and notification of the request must be received by Crosswater London within 30 days of receipt by dealer. A 25% restocking charge will be applied to all returns unless the item is being exchanged, in which case the restocking fee will be reduced to 12.5%. This does not apply to items that are marked special order/non-returnable. Customers are responsible for return shipping unless the product is deemed faulty. Please send all RGA requests to returns@fortebrands.com.

RGA paperwork must be included with all returns or the return will not be accepted.

Local returns/drop-offs will require a signature to indicate Crosswater London has received the return.

If returned goods are damaged, show signs of installation, or not in the original packaging, credit will be denied. The customer will be given the options to either have Crosswater London dispose of the goods or have the goods returned at customer's expense.

Returns will be kept open for 6 weeks at which time they will be closed. Any returns received after this time will not be processed.

Please allow 5-7 business days from the date the return is received by Crosswater London for credit to be issued to accounts.

ADDITIONAL TERMS

Product designs and prices are subject to change without notice. Please see the website for the most current production information and prices.

Crosswater London reserves the right to discontinue products at any time without notice. Products listed as 'Phase Out' will only be available while supplies last. Please call to confirm availability.

Crosswater London will not accept returns on 'Phase Out' products after five months from the date of the announcement from Crosswater London. Any returns of such product during this five-month period will incur a 50% restocking fee.

The measurements given are intended for reference only, and are subject to change. Complete specification sheets and installation instructions are available at www.crosswaterlondon.com

Crosswater London assumes no responsibility for typographical errors.













Forte Brands™

WHY CROSSWATER LONDON

Industry-leading experience on a global scale.

Quality control at the factory level.

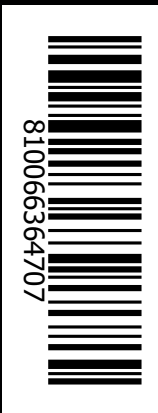
Technical-focused customer service.

Award-winning designs.

Ordered, stocked, and shipped from the Forte Brands
distribution center in Milford, Massachusetts.

Under Forte Brands, we are your private label for luxury bathroom products delivered on the highest standard of customer service. Working together, we strive to deliver products of superior quality and unrivalled performance.

Partnership. Trust. Excellence.



FB Forte Brands™

Exclusive North American distributor for Crosswater London.