

# Natural Stone Baths

clearwater<sup>®</sup>  
BATHS

Luxurious free-standing baths



# Introduction

Clearwater have used international designers to bring together a stunning and elegant range of free-standing baths using the finest materials and engineering. Our Modern designs reflect today's contemporary styles, whilst our classical collection includes free-standing, classical roll top designs and period style. If you are looking for a beautiful free-standing bath for your home, Clearwater offers exquisite solutions for every bathroom requirement.

**INDEX:**  
For full index see inside back cover.

**DESIGN. THE MODERN COLLECTION** Pages 04 to 39  
Our beautifully crafted and extensive modern collection has been designed to offer the very best of contemporary style. By using the best materials, our designers have created baths with thinner rims, increasing the internal space whilst allowing for smaller external sizes. So now free-standing baths can fit into bathrooms of modest size, providing an eye-catching centrepiece and that extra piece of luxury. Many of our popular models are available in full and Piccolo sizes, with the Piccolo internal space just as generous as most conventional baths. Our latest bath, the Nebbia also brings the ultimate in ergonomic relaxation by shaping to the human body.

**DESIGN. THE CLASSICAL COLLECTION** Pages 40 to 49  
For a true vintage look in your bathroom, choose from our range of classical models, covering every installation and size requirement. There are roll top baths with a choice of feet in various

styles and colours, so you can tailor your bath to your own individual tastes and to work seamlessly with your own décor and bathroom surroundings.

**MATCHING BASINS** Page 64 to 65  
To co-ordinate with our baths, several designs have matching basins crafted from our velvety soft Natural Stone, to continue the feeling of luxury throughout your bathroom. Choose from sleek modern designs or classical shapes to complement your chosen bath.

**TAPS AND MIXERS** Page 66 to 75  
To complete the picture we have partnered up with Britton and Burlington to provide both exceptional modern and classical brassware, which lead the field in innovation.



Patinato Modern Natural Stone Bath, page 24



Romano Classical Natural Stone Bath, page 48




Suntuoso Modern Natural Stone Basin, page 16



Formoso Modern Natural Stone Bath, page 08



Burlington Classical bath taps, page 70 to 73



**INSTALLATION.** All our baths are designed with simple installation in mind. Full instructions and drawings are available on our website and can be downloaded so the installer can prepare and first fix, ready for when the bath arrives. All baths are carefully packaged for full protection during transit and all Natural Stone baths come with a multi-handle carrier to help handling on site.

## Materials, engineering & installation

Clearwater has years of experience in designing and making free-standing baths and only use the highest quality materials.

**NATURAL STONE.** Without doubt the finest material for a bath is Natural Stone, for it provides a rigid and strong bath of great elegance, without any need for ledges or surrounds. Natural Stone allows the design of all the rims and edges to be far sharper than regular baths giving a stunning appearance and providing a more spacious and deeper bath for a truly relaxing experience. Each of our Natural Stone baths are hand polished for over ten hours providing a gorgeous velvety finish. The baths and basins are 'one piece solid surface baths' meaning there are no unsightly joins, just clean dynamic lines adding a real touch of class to your bathroom.

Natural Stone baths and basins can retain that 'brand new look' for many years as small scratches/blemishes can easily be removed, full details can be found on the Clearwater website.

**LAR.** Due to the shape of our Teardrop baths we manufacture them using a special process called LAR (Liquid Acrylic Reinforcement).

## Modern

Clearwater has an extensive range of free-standing modern baths including stunning Natural Stone in both standard and Piccolo sizes, a solution suitable for smaller bathrooms. Alternatively, choose from beautiful, ergonomic baths, shaped to provide the ultimate relaxing bathe. All are exquisitely crafted to provide a gorgeous centrepiece in contemporary bathroom settings.

**Natural Stone** *Nebbia, page 06*  
*Formoso & Formoso Piccolo, page 08-11*  
*New Armonia, page 12*  
*New Vigore, page 14*  
*Suntuoso, page 16*  
*Lacrima, page 18*  
*New Puro & Puro with plinth, page 20-23*  
*Patinato, page 24*  
*Ninfea, page 26*  
*Palermo & Palermo Piccolo, page 28-31*  
*Vicenza & Vicenza Piccolo, page 32-35*

**LAR** *Teardrop Large & Small, page 36-39*



**NEBBIA *Natural Stone*** A beautiful ergonomic bath, shaped and styled to provide the ultimate supportive bathe that feels as if you are floating. The shapely lines of this striking modern bath continue at the base meaning your entire body is supported at the perfect angle.



This bath has to be the ultimate place for relaxation. The Nebbia bath has been moulded around the human body for the ultimate feeling of comfort. The clever use of the patented channels on the side of the bath allows the water to drain, without interfering with the ergonomic shape.



The gentle curves of the Nebbia support the human body, removing the need to 'prop' the body up with the feet on the far end of the bath.

Nebbia bath, click-clack bath waste and Crystal floor-standing bath filler.

See page 52 for technical details on the Nebbia bath.



**FORMOSO** *Natural Stone* This elegant and understated, popular bath is available in two sizes and has clean and simple lines, which create a shapely aesthetic well suited to all modern day bathrooms. Pair with the matching Formoso basin for a beautiful and design linked bathroom.

Formoso bath, Crystal floor-standing bath filler and click-clack bath waste Formoso bacino basin, Crystal Tall basin mixer and click-clack basin waste.

In order to make our Formoso baths suitable for more applications we are removing the integrated overflow. You will be able to have an overflow by using an external overflow as shown on page 76. Ask your local dealer about timings of this product improvement.

See page 53 for technical details on the Formoso baths and page 64 for the Formoso basin.





10 YEAR GUARANTEE  
ON ALL OUR BATHS  
See website for more details

### **FORMOSO PICCOLO** *Natural Stone*

The same minimalistic, beautiful design of the Formoso bath, but with a smaller 150cm length to fit into most modern bathrooms.

The internal space of this bath is bigger than most full size normal baths, thanks to its narrow rim.

Formoso Piccolo bath, Sapphire floor-standing bath shower mixer and slotted click-clack waste.

In order to make our Formoso baths suitable for more applications we are removing the integrated overflow. You will be able to have an overflow by using an external overflow as shown on page 76. Ask your local dealer about timings of this product improvement.

See page 53 for technical details on the Formoso piccolo bath.





**NEW ARMONIA *Natural Stone*** A classic natural stone shape with extra attention to detail on the thin rim and inward sloping design of the outer shape. A larger bath with a comfortably spacious interior. Pair with our Crystal bath filler on stand pipes for a striking yet simple design.

New Armonia bath, Sapphire floor-standing bath shower mixer and slotted click-clack waste. Sontuoso Bacino basin, Crystal Tall basin mixer and click-clack basin waste.

See page 54 for technical details on the Armonia bath and page 64 for technical details on the Sontuoso basin.



**10 YEAR GUARANTEE  
ON ALL OUR BATHS**  
*See website for more details*





NEW

**NEW VIGORE *Natural Stone*** The New Vigore creates a stunning profile in the bathroom by raising the viewpoint off the floor with specially designed all-in-one edged feet all made from the same natural stone material. For those looking for an alternative take on the floor standing modern bath this is the perfect choice.

10  
year  
guarantee

10 YEAR GUARANTEE  
ON ALL OUR BATHS  
*See website for more details*

New Vigore bath, Crystal floor-standing single-lever bath filler and click-clack bath waste.

See page 54 for technical details on the Vigore bath





**SONTUOSO BACINO BASIN *Natural Stone***  
 The beautiful matching basin is available either as a standard size at 59cm wide, or the piccolo basin size at 49cm wide; a perfect choice for his and her vanity basins.



**SONTUOSO *Natural Stone*** A luxurious curvaceous bath with generous sloped sides. Choose refined brassware such as a floor-standing single-lever bath filler for a beautifully simple aesthetic.

Sontuoso bath, Crystal floor-standing single-lever bath filler and click-clack bath waste. Sontuoso Bacino basin, Crystal Tall basin mixer and click-clack basin waste.

See page 55 for technical details on the Sontuoso bath and page 64 for the Sontuoso basins.



**LACRIMA *Natural Stone*** This dramatic, oval shaped Natural Stone bath provides an eye-catching centrepiece. With its raised stance and imposing structure, this bath is perfect for bathing with a partner. Pair with our Crystal single-lever bath filler for an elegant, architectural look.



Lacrima bath, Crystal floor-standing single-lever bath filler, click-clack bath waste, P-trap and P-trap connection pipe.  
See page 55 for technical details on the Lacrima bath.



**NEW PURO *Natural Stone*** The Puro is designed especially for the comfort of the body to ensure complete relaxation. The curvature of the natural stone means this bath sits seamlessly in a modern environment and softens the architectural feel of a contemporary bathroom.

New Puro bath, Crystal floor-standing bath shower mixer and slotted click-clack waste.

Palermo bacino basin each, Crystal Tall basin mixer each, click-clack basin waste each and flat bottom basin bottle trap each.

See page 56 for technical details on the Puro bath



**10 YEAR GUARANTEE  
ON ALL OUR BATHS**  
*See website for more details*





NEW

**NEW PURO WITH PLINTH *Natural Stone*** Similar to the New Puro and ensuring a stand out appeal in the bathroom, choose the Puro with the additional plinth. No contemporary bathroom is complete without chrome – pair the plinth with our stand out single lever bath filler from either the Crystal or Sapphire ranges.

10  
year  
guarantee

10 YEAR GUARANTEE  
ON ALL OUR BATHS  
*See website for more details*

New Puro with plinth bath, Crystal floor-standing bath filler and click-clack bath waste.

Formoso basin, Crystal Tall basin mixer, click-clack basin waste and flat bottom basin bottle trap .

See page 56 for technical details on the Puro bath with plinth and page 64 for details on the Formoso basin.



**PATINATO *Natural Stone*** Gorgeous geometric angles with slim, sharp edges make this Natural Stone bath and matching basin perfect for those who like distinctive geometric shapes.

Patinato bath, Crystal floor-standing bath shower mixer and click-clack bath waste. Patinato bacino basin, Crystal basin mixer and click-clack basin waste.

See page 57 for technical details on the Patinato bath and page 64 for the Patinato basin.

**NINFEA *Natural Stone*** The curves and sweeping edge of this Natural Stone bath are stunning and the shape denotes itself to a truly relaxing bathe.



Ninfea bath, Crystal floor-standing bath shower mixer and click-clack bath waste.  
See page 57 for technical details on the Ninfea bath.



**10 YEAR GUARANTEE  
ON ALL OUR BATHS**  
*See website for more details*



**PALERMO *Natural Stone*** Elongated, geometric shape with concave curved sides give this bath the wow factor. Available in two sizes for flexibility of space. Pair with the matching basin for an overall look of sophistication and class.

Palermo bath, Crystal floor-standing bath filler and click-clack bath waste. Palermo bacino basin, Crystal Tall basin mixer and click-clack basin waste.  
See page 58 for technical details on the Palermo baths and page 64 for the Palermo basin.








Palermo Piccolo bath, Crystal floor-standing bath shower mixer and slotted click-clack waste.

See page 58 for technical details on the Palermo Piccolo bath.

**PALERMO PICCOLO** *Natural Stone* The same beautiful bath with stylish tapered sides but with a shorter length of just 160cm.





VICENZA *Natural Stone* Striking bath available in two sizes with sharp, fine edges counterbalanced with attractive curved ends. For a minimalistic look, match with a floor-standing single-lever bath filler.

Vicenza bath, Sapphire floor-standing single-lever bath filler and slotted click-clack waste.  
See page 59 for technical details on the Vicenza baths.



**VICENZA BACINO BASIN** *Natural Stone*

Partner your Vicenza bath with a matching Natural Stone basin to give your bathroom a beautiful seamless look and feel.



**10 YEAR GUARANTEE ON ALL OUR BATHS**  
See website for more details

Vicenza piccolo bath, Sapphire floor-standing bath shower mixer and click-clack bath waste. Vicenza bacino basin, Sapphire Tall basin mixer and click-clack basin waste.

See page 59 for technical details on the Vicenza Piccolo bath and page 64 for the Vicenza basin.



**VICENZA PICCOLO** *Natural Stone*

The same beautiful Natural Stone and impactful bath, which adds to a general feel of luxury and sophistication but with a shorter length of just 160cm to fit into smaller bathrooms.

**TEARDROP LARGE** A unique shaped modern bath with eye-catching lines and dramatic presence. This bath comes in two sizes to provide flexibility for every sized bathroom. The large photographed here, is 191cm in length, whereas the small is just 169cm (see page 38).



Teardrop large bath, Crystal floor-standing bath filler and un-slotted click-clack waste.  
See page 60 for technical details on the Teardrop baths.

**TEARDROP SMALL** The smaller option available in 169cm is the finest option for those looking to include a free standing bath within a slightly smaller bathroom. Exquisitely designed so the taps can be placed anywhere around the bath – this is a classic shape also available in 191cm (see page 36).



Teardrop small bath, Crystal floor-standing bath filler and un-slotted click-clack waste.

See page 60 for technical details on the Teardrop baths.



**10 YEAR GUARANTEE  
ON ALL OUR BATHS**  
*See website for more details*

## Classical

Clearwater's range of classical baths is extensive and diverse with a variety of shapes and styles to suit your own individual bathroom tastes. Choose from luxurious free-standing options or beautifully classic roll top baths with a range of feet in a selection of styles and colours. For the ultimate in vintage bathroom design, select the unique Fire Hydrant waste system. See page 78 for further details.

Natural Stone    New Lonio, *page 42*  
Batello, *page 44*  
Classico, *page 46*  
Romano, *page 48*



NEW

**NEW LONIO *Natural Stone*** The simplistic yet eye catching design of the Lonio bath makes it a flawless choice for those looking to bridge the gap between contemporary and traditional. The thin rim of the bath and the built in natural stone legs make this a beautiful centre piece for any bathroom.



New Lonio bath, Burlington Claremont Bath Shower Mixer, standpipes, click-clack waste and P-trap and P-trap connection pipe. Lonio baths can be used with a Fire Hydrant waste, see page 78. See page 61 for technical details on the Lonio bath



Batello bath with chrome Arc feet, Burlington Claremont deck-mounted bath shower mixer, overflow, plug and chain waste, P-trap and P-trap connection pipe. Batello baths can be used with a Fire Hydrant waste, see page 78.

See page 61 for technical details on the Batello bath.



**BATELLO *Natural Stone*** The sloping curves and rolled edges of this outstanding classical bath make this product a true focal point in any bathroom. Customise with feet in your choice of style and colour to tailor-make your own designed look.

For feet options see page 63.



**CLASSICO Natural Stone** Divine double-ended rolltop bath that will add a touch of class in any environment. With a choice of feet, you can customise this beautiful bath to your individual tastes. Pair with central deck-mounted taps for a truly relaxing bathe with taps close at hand to top-up.

For feet options see page 63.

Classico bath with chrome claw feet, Burlington Claremont deck-mounted bath shower mixer, overflow, plug and chain waste, P-trap and P-trap connection pipe. Classico baths can be used with a Fire Hydrant waste, see page 110. See page 62 for technical details on the Classico bath.



**10 YEAR GUARANTEE  
ON ALL OUR BATHS**  
*See website for more details*





**ROMANO *Natural Stone*** With an elegant graduating slope crafted at the perfect angle for a relaxing bathe, the Romano is a firm favourite. Shown here with beautiful chrome classic feet.

For feet options see page 63.

Romano bath with chrome classic feet, Burlington Claremont deck-mounted bath shower mixer, plug and chain waste, P-trap and P-trap connection pipe. Romano baths can be used with a Fire Hydrant waste, see page 110.

See page 62 for technical details on the Romano bath.

# Technical specifications

The following section provides necessary measurements and dimensions for every product in the Clearwater portfolio. Be sure to co-ordinate your selected exclusive bath with a matching basin, your chosen feet option where necessary, brassware and waste. For more information including installation instructions visit [clearwaterbaths.com](http://clearwaterbaths.com)

#### Quality Assurance Guarantee

We employ an independent Quality Assurance company to test every batch of products we manufacture, using Accepted Quality Level (AQL) MIL-STD-150E as our standard.

## Contents

### Baths

52 Modern Baths  
61 Classical Baths  
63 Feet Options

### Basins

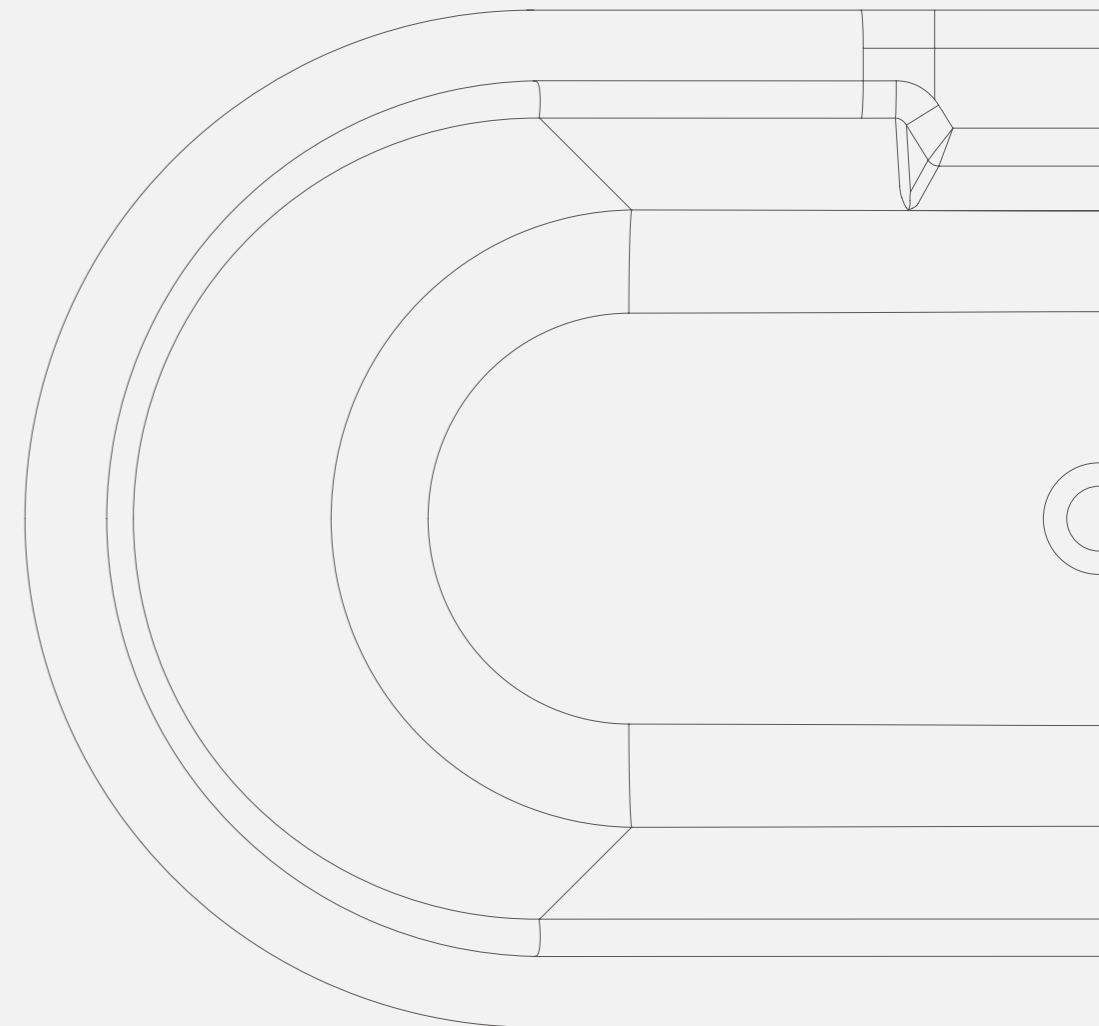
64 Modern Basins  
65 Classic Basins

### Taps

66 Modern Taps  
70 Classical Taps

76 Wastes, Traps, Pipes & Overflows  
78 Fire Hydrant

80 Index



## Our Baths

**EASY INSTALLATION** Every Natural Stone bath comes with a simple installation guide. All baths are supplied in individual boxes - so they reach your home in perfect condition. In addition we supply each bath in a carrier bag - so that it is easy for installers to move the bath to the proposed location in your bathroom.



**HAND MADE** Each Natural Stone bath is hand made by three people. It takes over ten hours to hand polish every bath. The baths are 'one piece solid surface baths' meaning there are no joins.

The baths retain that 'brand new look' for many years as small scratches/blemishes can easily be removed.

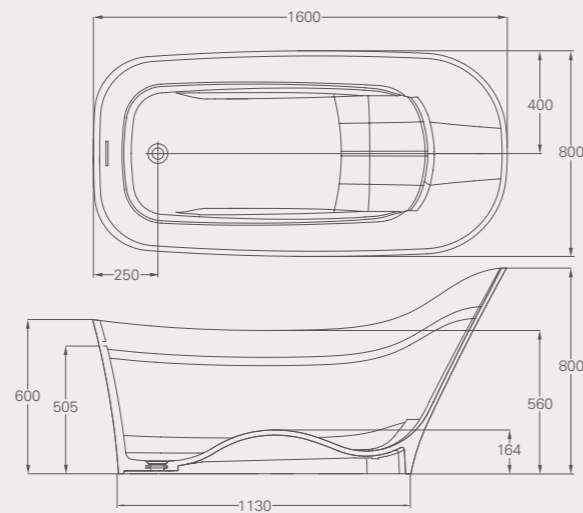


## Modern Baths

### NEBBIA



Nebbia Natural Stone bath, page 06



#### Nebbia Natural Stone bath

L: 1600, W: 800, H: 600  
 Weight empty: 117 kg  
 Displaced capacity: 230 litres\*  
 Material: Natural Stone

Integrated overflow  
 Not suitable for rim-mounted taps  
 Compatible wastes: CW1, CW1N, CW3, see p76

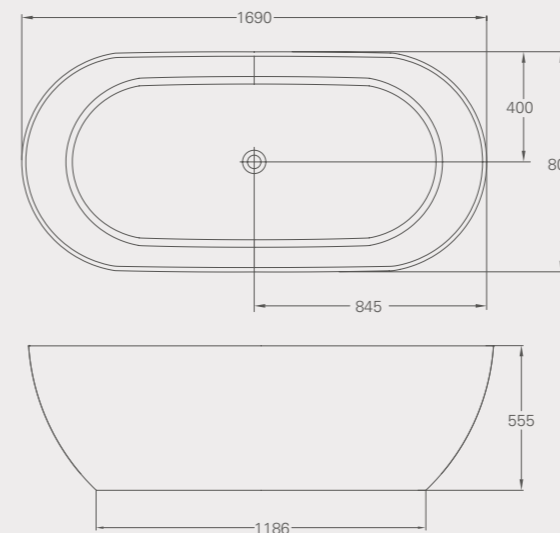
**Code: N14**

\*Displaced capacity is the bath capacity less 70 litres.

### FORMOSO



Formoso Natural Stone bath, page 08



#### Formoso Natural Stone bath

L: 1690, W: 800, H: 555  
 Weight empty: 120 kg  
 Displaced capacity: 292 litres\*  
 Material: Natural Stone

In order to make our Formoso baths suitable for more applications we are removing the integrated overflow. You will be able to have an overflow by using an external overflow as shown on page 76. Ask your local dealer about timings of this product improvement. Not suitable for rim-mounted taps  
 Compatible wastes: CW1, CW1N, CW3, CW11, see p76

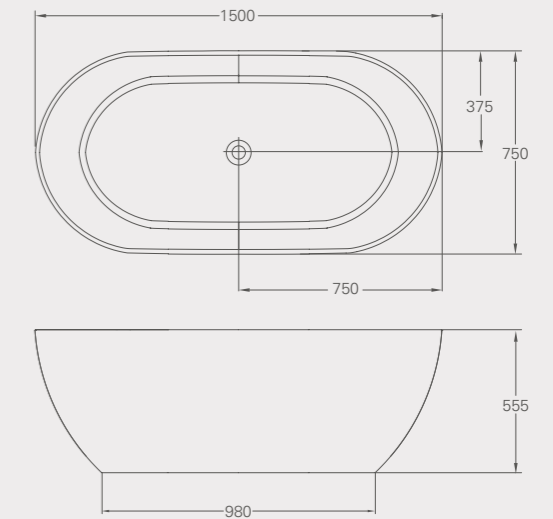
**Code: N2A**

\*Displaced capacity is the bath capacity less 70 litres.

### FORMOSO PICCOLO



Formoso Piccolo Natural Stone bath, page 10



#### Formoso Piccolo Natural Stone bath

L: 1500, W: 750, H: 555  
 Weight empty: 92 kg  
 Displaced capacity: 230 litres\*  
 Material: Natural Stone

In order to make our Formoso baths suitable for more applications we are removing the integrated overflow. You will be able to have an overflow by using an external overflow as shown on page 76. Ask your local dealer about timings of this product improvement. Not suitable for rim-mounted taps  
 Compatible wastes: CW1, CW1N, CW3, CW11, see p76

**Code: N1A**

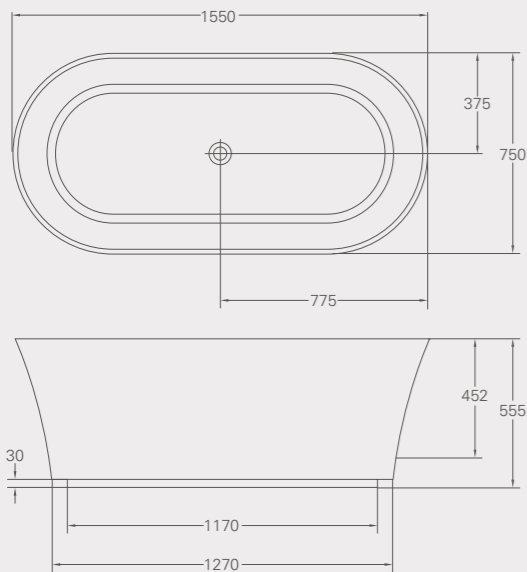
\*Displaced capacity is the bath capacity less 70 litres.

# Modern Baths

ARMONIA



Armonia Natural Stone bath, page 12



**Armonia Natural Stone bath**

L: 1550, W: 750, H: 555  
 Weight empty: 110kg  
 Displaced capacity: 222 litres\*  
 Material: Natural Stone  
 Integrated overflow  
 Not suitable for rim-mounted taps  
 Compatible wastes: CW1, CW1N, CW3, see p76

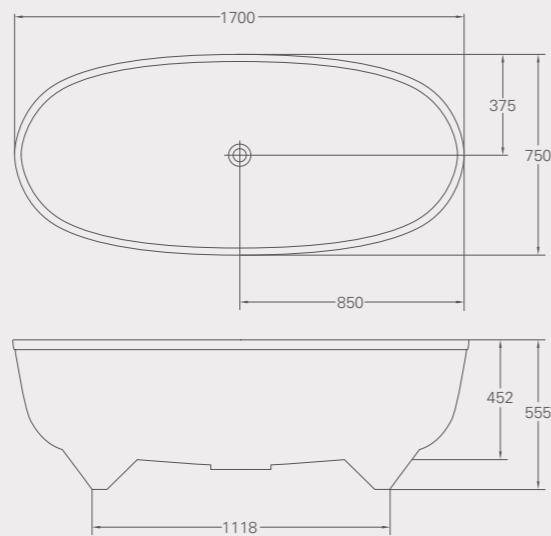
**Code: N18**

\*Displaced capacity is the bath's capacity less 70 litres.

VIGORE



Vigore Natural Stone, page 14



**Vigore Natural Stone bath**

L: 1700, W: 750, H: 555  
 Weight empty: 120 kg  
 Displaced capacity: 219 litres\*  
 Material: Natural Stone  
 Integrated overflow  
 Not suitable for rim-mounted taps  
 Compatible wastes: CW1, CW1N, CW3, see p76

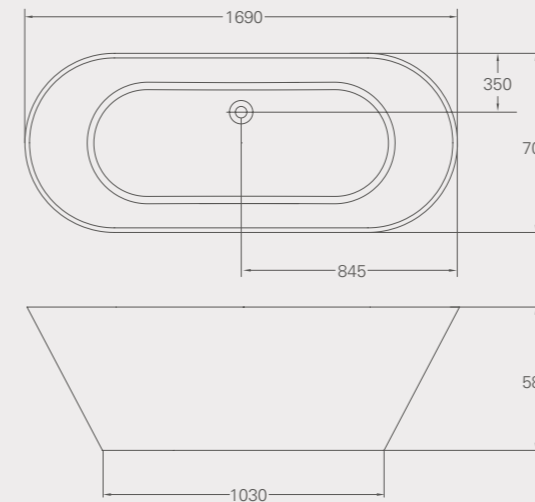
**Code: N17**

\*Displaced capacity is the bath's capacity less 70 litres.

SONTUOSO



Sontuoso Natural Stone bath, page 17



**Sontuoso Natural Stone bath**

L: 1690, W: 700, H: 580  
 Weight empty: 90 kg  
 Displaced capacity: 204 litres\*  
 Material: Natural Stone  
 Integrated overflow  
 Not suitable for rim-mounted taps  
 Compatible wastes: CW1, CW1N, CW3, see p76

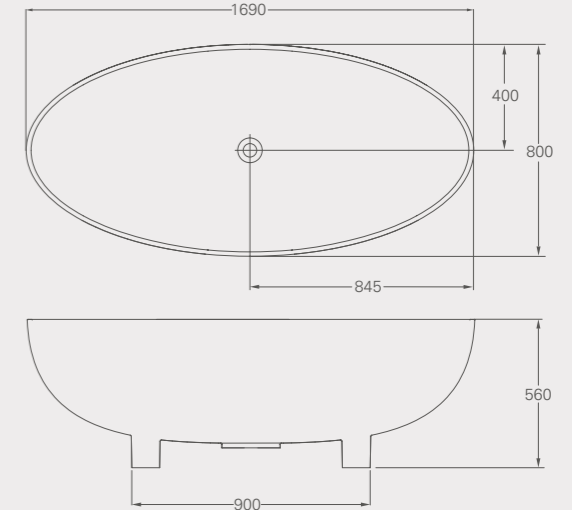
**Code: N8E**

\*Displaced capacity is the bath capacity less 70 litres.

LACRIMA



Lacrima Natural Stone bath, page 18



**Lacrima Natural Stone bath**

L: 1690, W: 800, H: 560  
 Weight empty: 93 kg  
 Displaced capacity: 230 litres\*  
 Material: Natural Stone  
 Integrated overflow  
 Not suitable for rim-mounted taps  
 Compatible wastes: CW1, CW1N, CW3, W21 see p76

**Code: N12**

\*Displaced capacity is the bath capacity less 70 litres.

## Modern Baths

PURO



Puro Natural Stone bath, page 20

PURO WITH PLINTH



Puro Natural Stone bath with plinth, page 22

PATINATO

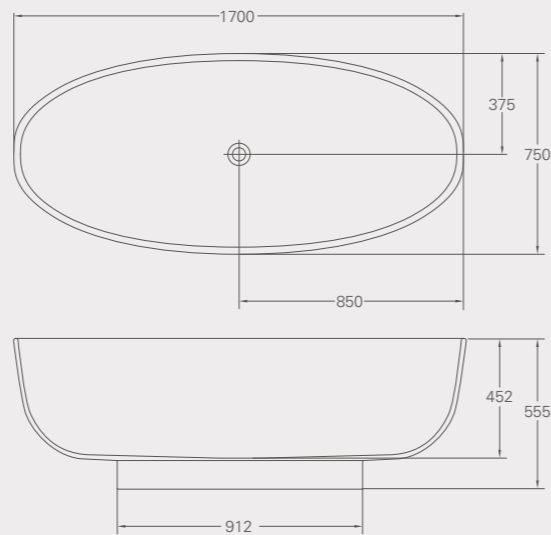
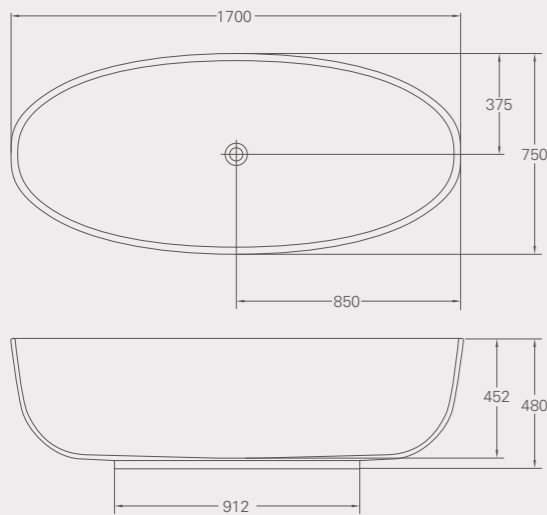


Patinato Natural Stone bath, page 25

NINFEA



Ninfea Natural Stone bath, page 26



**Puro Natural Stone bath**

L: 1700 W: 750 H: 480  
 Weight empty: 98kg  
 Displaced capacity: 207 litres\*  
 Material: Natural Stone  
 Integrated overflow  
 Not suitable for rim-mounted taps  
 Compatible wastes: CW1, CW1N, CW3, see p76

**Code: N15**

\*Displaced capacity is the bath's capacity less 70 litres.

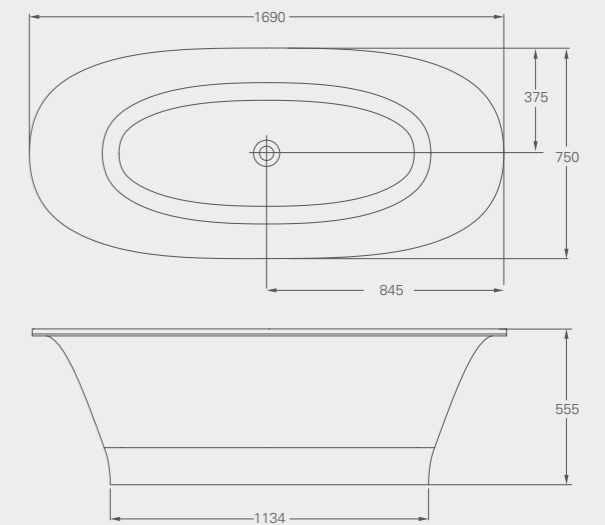
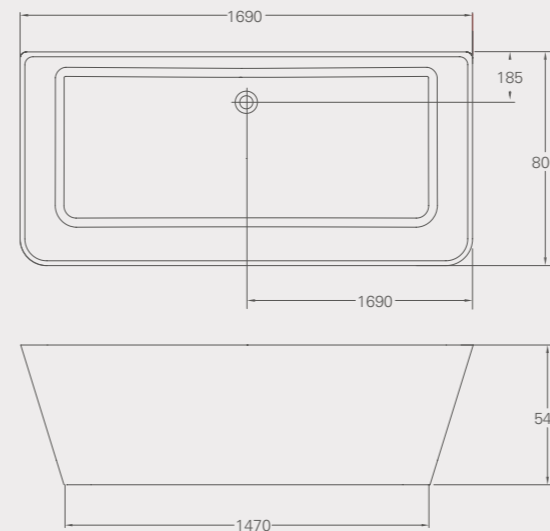
**Puro Natural Stone bath**

L: 1700 W: 750 H: 555  
 Weight empty: 118kg  
 Displaced capacity: 207 litres\*  
 Material: Natural Stone with stainless steel plinth  
 Integrated overflow  
 Not suitable for rim-mounted taps  
 Compatible wastes: CW1, CW1N, CW3, see p76

**Code: N15 (bath)**

**Code: N16P (stainless steel plinth)**

\*Displaced capacity is the bath's capacity less 70 litres.



**Patinato Natural Stone bath**

L: 1690, W: 800, H: 540  
 Weight empty: 122 kg  
 Displaced capacity: 307 litres\*  
 Material: Natural Stone  
 Integrated overflow  
 Not suitable for rim-mounted taps  
 Compatible wastes: CW1, CW1N, CW3, see p76

**Code: N3B**

\*Displaced capacity is the bath capacity less 70 litres.

**Ninfea Natural Stone bath**

L: 1690, W: 750, H: 555  
 Weight empty: 104 kg  
 Displaced capacity: 145 litres\*  
 Material: Natural Stone  
 Integrated overflow  
 Not suitable for rim-mounted taps  
 Compatible wastes: CW1, CW1N, CW3, see p76

**Code: N13**

\*Displaced capacity is the bath capacity less 70 litres.

## Modern Baths

**PALERMO**



Palermo Natural Stone bath, *page 28*

**PALERMO PICCOLO**



Palermo Piccolo Natural Stone bath, *page 30*

**VICENZA**

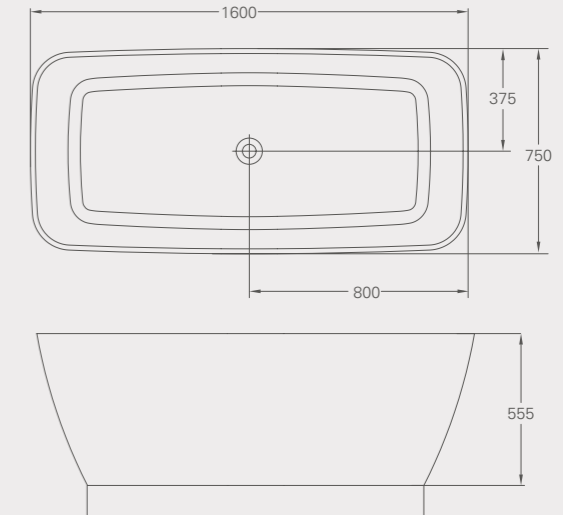
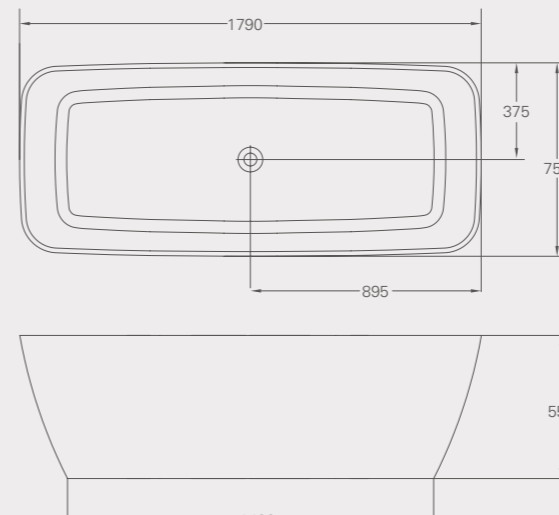
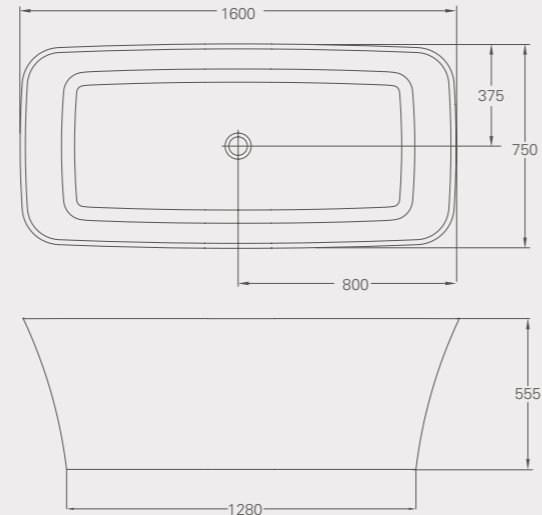
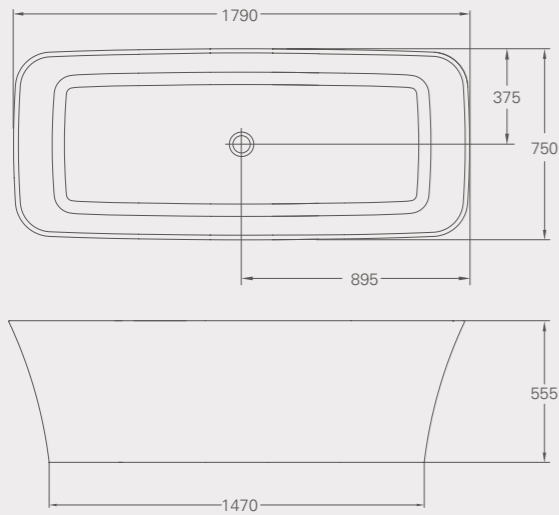


Vicenza Natural Stone bath, *page 32*

**VICENZA PICCOLO**



Vicenza Piccolo Natural Stone bath, *page 35*



**Palermo Natural Stone bath**

L: 1790, W: 750, H: 555  
 Weight empty: 109.5 kg  
 Displaced capacity: 300 litres\*  
 Material: Natural Stone  
 Integrated overflow  
 Not suitable for rim-mounted taps  
 Compatible wastes: CW1, CW1N, CW3, see p76

**Code: N5C**

\*Displaced capacity is the bath capacity less 70 litres.

**Palermo Piccolo Natural Stone bath**

L: 1600, W: 750, H: 555  
 Weight empty: 99 kg  
 Displaced capacity: 280 litres\*  
 Material: Natural Stone  
 Integrated overflow  
 Not suitable for rim-mounted taps  
 Compatible wastes: CW1, CW1N, CW3, see p76

**Code: N4C**

\*Displaced capacity is the bath capacity less 70 litres.

**Vicenza Natural Stone bath**

L: 1790, W: 750, H: 555  
 Weight empty: 110 kg  
 Displaced capacity: 370 litres\*  
 Material: Natural Stone  
 Integrated overflow  
 Not suitable for rim-mounted taps  
 Compatible wastes: CW1, CW1N, CW3, see p76

**Code: N7D**

\*Displaced capacity is the bath capacity less 70 litres.

**Vicenza Piccolo Natural Stone bath**

L: 1600, W: 750, H: 555  
 Weight empty: 99.5 kg  
 Displaced capacity: 280 litres\*  
 Material: Natural Stone  
 Integrated overflow  
 Not suitable for rim-mounted taps  
 Compatible wastes: CW1, CW1N, CW3, see p76

**Code: N6D**

\*Displaced capacity is the bath capacity less 70 litres.

## Modern Baths

**TEARDROP LARGE**

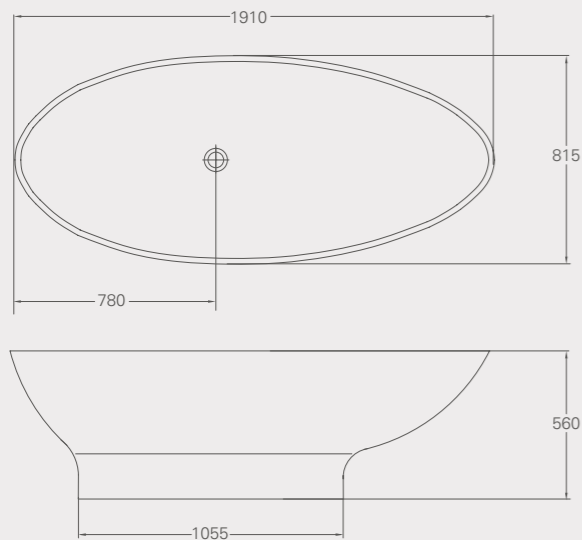


Teardrop Large modern bath, *page 36*

**TEARDROP SMALL**



Teardrop Small modern bath, *page 38*

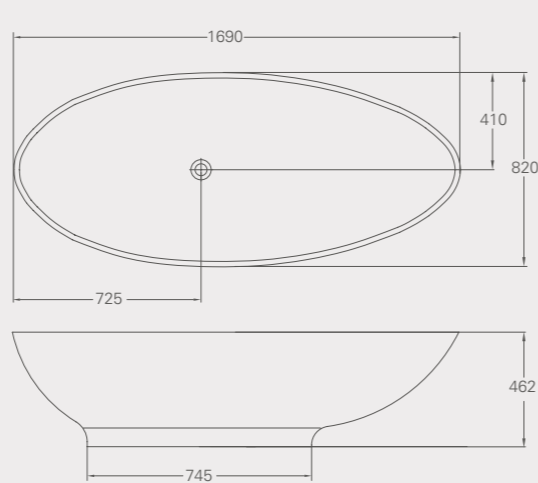


**Teardrop large modern bath**

L: 1910, W: 815, H: 560  
 Weight empty: 45 kg  
 Displaced capacity: 188 litres\*  
 Material: LAR. Teardrop baths are manufactured using a special process called LAR (Liquid Acrylic Reinforcement) ensuring a clean smooth finish with no joins  
 No overflow  
 Not suitable for rim-mounted taps  
 Compatible wastes: CW2, see p76

**Code: M11F**

\*Displaced capacity is the bath's capacity less 70 litres.



**Teardrop small modern bath**

L: 1690, W: 820, H: 500  
 Weight empty: 33 kg  
 Displaced capacity: 132 litres\*  
 Material: LAR. Teardrop baths are manufactured using a special process called LAR (Liquid Acrylic Reinforcement) ensuring a clean smooth finish with no joins  
 No overflow  
 Not suitable for rim-mounted taps  
 Compatible wastes: CW2, see p76

**Code: M10F**

\*Displaced capacity is the bath capacity less 70 litres.

## Classical Baths

**LONIO**

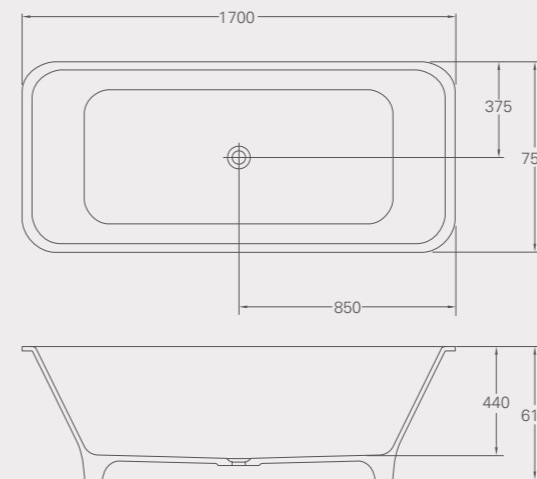


Lonio Natural Stone bath, *page 42*

**BATELLO**



Batello Natural Stone bath, *page 44*

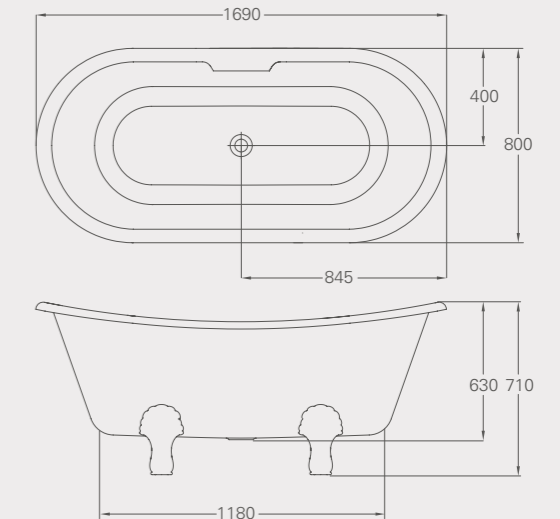


**Lonio Natural Stone bath**

L: 1700, W: 750, H: 615  
 Weight empty: 125 kg  
 Displaced capacity: 239 litres\*  
 Material: Natural Stone  
 No overflow  
 Not suitable for rim-mounted taps  
 Compatible wastes: CW2, CW2N, CW3, W8N, see p76

**Code: N19**

\*Displaced capacity is the bath's capacity less 70 litres.



**Batello Natural Stone Bath with chrome Classic feet**

L: 1690, W: 800, H: 630/710  
 Weight empty: 94 kg  
 Displaced capacity: 146 litres\*  
 Material: Natural Stone  
 tap hole option 0, 1, 2 (supplied un-drilled) overflow un-drilled  
 Compatible wastes: CW2, CW2N, CW3, W4, CW6, W8N, W21, see p76-77

**Code: N10 (includes any feet shown on page 63)**  
 Please specify the feet required at the time of ordering

\*Displaced capacity is the bath capacity less 70 litres.



# Classical Baths

## CLASSICO

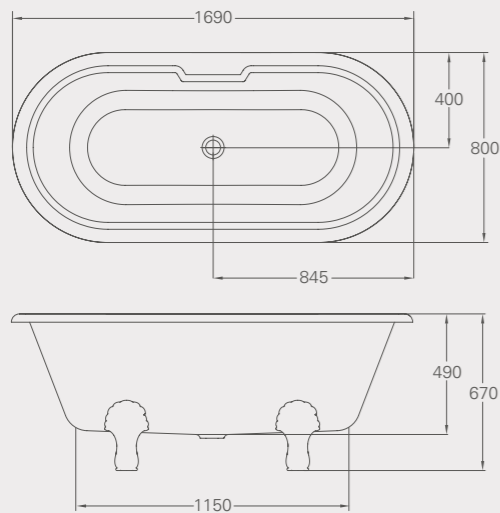


Classico Natural Stone bath, page 46

## ROMANO



Romano Natural Stone bath, page 48

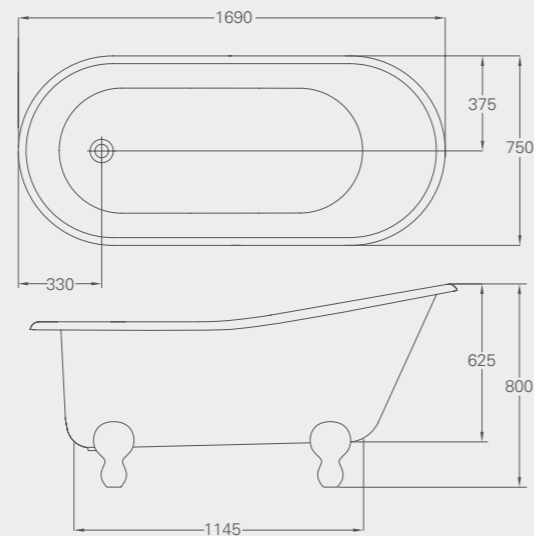


Classico Natural Stone bath with chrome Claw feet  
 L: 1690, W: 800, H: 490/670  
 Weight empty: 93 kg  
 Displaced capacity: 162 litres\*  
 Material: Natural Stone

tap hole option 0, 1, 2 (supplied un-drilled) overflow un-drilled  
 Compatible wastes: CW2, CW2N, CW3, W4, CW6, W8N, W21, see p76-77

**Code: N9 (includes any feet shown on page 63)**  
 Please specify the feet required at the time of ordering

\*Displaced capacity is the bath capacity less 70 litres.



Romano Natural Stone bath with chrome Classic feet  
 L: 1690, W: 750, H: 625/800  
 Weight empty: 90 kg  
 Displaced capacity: 177 litres\*  
 Material: Natural Stone

tap hole option 0, 1, 2 (supplied un-drilled) overflow un-drilled  
 Compatible wastes: CW2, CW2N, CW3, W4, CW6, W8N, W21, see p76-77

**Code: N11 (includes any feet shown on page 63)**  
 Please specify the feet required at the time of ordering

\*Displaced capacity is the bath capacity less 70 litres.



See website for more details



### Chrome



### Claw feet (L1)

	Chrome	White	Black
<b>Code:</b>	<b>L1C</b>	<b>L1W</b>	<b>L1B</b>

Legs included within the bath price

### White



### Arc feet (L2)

	Chrome	White	Black
<b>Code:</b>	<b>L2C</b>	<b>L2W</b>	<b>L2B</b>

Legs included within the bath price

### Black






### Classic feet (L3)




	Chrome	White	Black
<b>Code:</b>	<b>L3C</b>	<b>L3W</b>	<b>L3B</b>

Legs included within the bath price



## Modern Natural Stone Basins




		
Brochure page 25	Brochure page 8	Brochure page 28
<p><b>Patinato*</b>                  D: 390, W: 590, H: 140                  Material: Natural Stone                  tap hole option 0, 1, 2, 3                  Supplied un-drilled                  Compatible wastes: W22  <b>Code: B2B</b></p>	<p><b>Formoso</b>                  D: 390, W: 590, H: 140                  Material: Natural Stone                  Compatible wastes: W22  <b>Code: B1A</b></p>	<p><b>Palermo</b>                  D: 390, W: 590, H: 140                  Material: Natural Stone                  Compatible wastes: W22  <b>Code: B3C</b></p>

		
Brochure page 34	Brochure page 16	
<p><b>Vicenza</b>                  L: 390, W: 590, H: 140                  Material: Natural Stone                  Compatible wastes: W22  <b>Code: B4D</b></p>	<p><b>Sontuoso</b>                  D: 390, W: 590, H: 140                  Material: Natural Stone                  Compatible wastes: W22  <b>Code: B5E</b></p>	<p><b>Sontuoso Piccolo</b>                  D: 250, W: 490, H: 140                  Material: Natural Stone                  Compatible wastes: W22  <b>Code: B6E</b></p>



On all Modern & Classical basins  
See website for more details





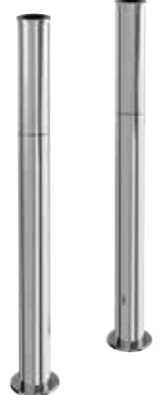

## Classical Natural Stone Basins







		
Small roll top with overflow D: 470, W: 550, H: 171 Material: Natural Stone tap hole option 0, 1, 2, 3 Supplied un-drilled Compatible wastes: W11, W18 <b>Code: B7E</b>	Medium roll top with overflow D: 470, W: 650, H: 171 Material: Natural Stone tap hole option 0, 1, 2, 3 Supplied un-drilled Compatible wastes: W11, W18 <b>Code: B8E</b>	Large roll top with overflow D: 470, W: 750, H: 171 Material: Natural Stone tap hole option 0, 1, 2, 3 Supplied un-drilled Compatible wastes: W11, W18 <b>Code: B9E</b>
		
Small roll top with stainless steel Stand D: 470, W: 550, H: 880 Material: Natural Stone Basin (B7E) Stand (B7ES)	Medium roll top with stainless steel Stand D: 470, W: 650, H: 880 Material: Natural Stone Basin (B8E) Stand (B8ES)	Large roll top with stainless steel Stand D: 470, W: 750, H: 880 Material: Natural Stone Basin (B9E) Stand (B9ES)

Brochure page 60 and 106

All Natural Stone basins are supplied without pre-drilled tap holes.  
Possible options are denoted by 'tap hole option' shown above

## Sapphire Bath & Basin Taps

		 <p>Detail of swivelling hose mount</p>
<p><b>Bath filler on stand pipes</b> Floor-standing D: 179, W: 232, H: 895 Bath filler (CTA15) Stand pipes (W7)</p>	<p><b>Bath shower mixer filler on stand pipes</b> Floor-standing D: 179, W: 302, H: 895 Bath filler (CTA16) Stand pipes (W7)</p>	<p><b>Bath shower mixer</b> D: 179, W: 302, H: 250 <b>Code: CTA16</b></p>
		
<p><b>Single-lever bath filler on stand pipe</b> Floor-standing D: 200, W: 55, H: 898 Bath filler (CTA14) Stand pipe (W24)</p>	<p><b>Decorative shrouds</b> These are for use with baths with rim-mounted fittings D: 70, W: 70, H: 709 <b>Code: W6</b></p>	<p><b>Stand pipes including horizontal support bar</b> These are for use with baths where fittings are not rim or wall-mounted (Water runs through the pipes) D: 100, W: 280, H: 600 <b>Code: W7</b></p>

		
<p><b>Single-lever bath filler</b> D: 200, W: 55, H: 162 <b>Code: CTA14</b></p>	<p><b>Bath filler</b> D: 179, W: 232, H: 159 <b>Code: CTA15</b></p>	<p><b>Mini basin mixer without waste</b> D: 145, W: 48, H: 146 <b>Code: CTA10</b></p>
		
<p><b>Tall basin mixer without waste</b> D: 150, W: 52, H: 313 <b>Code: CTA12</b></p>	<p><b>Basin mixer without waste</b> D: 150, W: 52, H: 154 <b>Code: CTA9</b></p>	<p><b>Basin mixer with pop-up waste</b> D: 162, W: 52, H: 154 <b>Code: CTA11</b></p>







**Bathing in technology\***




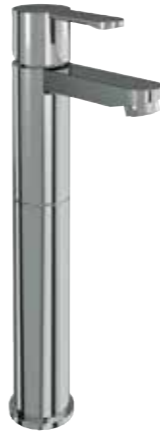


- Brass taps & heads
- Chrome plated to EN817 & EN200 and level 10 salt spray tested
- 50cm G 1/2 flexible tails
- Mixers are fitted with a flow straightener for low pressure installations
- A high pressure aerator is provided with every mixer for high pressure installations
- All mixers work on 0.2 bar to 5 bar pressure (i.e are low and high pressure taps)



On all Sapphire taps  
See website for more details

## Crystal Bath & Basin Taps

	 <p>Detail of swivelling hose mount</p>	
<p><b>Bath filler on stand pipes</b> Floor-standing D: 175, W: 232, H: 904 Bath filler (CTA6) Stand pipes (W7)</p>	<p><b>Bath shower mixer on stand pipes</b> Floor-standing D: 175, W: 302, H: 905 Bath filler (CTA7) Stand pipes (W7)</p>	<p><b>Bath shower mixer</b> Rim-mounted D: 175, W: 302, H: 250 <b>Code: CTA7</b></p>
		
<p><b>Single-lever bath filler on stand pipe</b> Floor-standing D: 196, W: 55, H: 903 Bath filler (CTA5) Stand pipe (W24)</p>	<p><b>Decorative shrouds</b> These are for use with baths with rim-mounted fittings D: 70, W: 70, H: 709 <b>Code: W6</b></p>	<p><b>Stand pipes including horizontal support bar</b> These are for use with baths where fittings are not rim or wall-mounted (Water runs through the pipes) D: 100, W: 280, H: 600 <b>Code: W7</b></p>

		
<p><b>Single-lever bath filler</b> D: 196, W: 55, H: 166 <b>Code: CTA5</b></p>	<p><b>Bath filler deck-mounted</b> D: 175, W: 232, H: 169 <b>Code: CTA6</b></p>	<p><b>Mini basin mixer without waste</b> D: 138, W: 48, H: 150 <b>Code: CTA8</b></p>
		
<p><b>Tall basin mixer without waste</b> D: 137, W: 52, H: 324 <b>Code: CTA3</b></p>	<p><b>Basin mixer without waste</b> D: 137, W: 52, H: 164 <b>Code: CTA1</b></p>	<p><b>Basin mixer with pop-up waste</b> D: 138, W: 52, H: 164 <b>Code: CTA2</b></p>

**Bathing in technology\***

- Brass taps & heads
- Chrome plated to EN817 & EN200 and level 10 salt spray tested
- 50cm G 1/2 flexible tails
- Mixers are fitted with a flow straightener for low pressure installations
- A high pressure aerator is provided with every mixer for high pressure installations
- All mixers work on 0.2 bar to 5 bar pressure (i.e are low and high pressure taps)

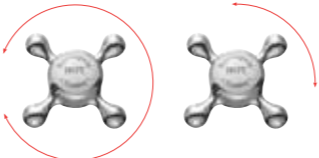


On all Crystal taps  
See website for more details

## Burlington Bath Taps

Clearwater has paired up with Burlington to offer a range of beautiful, classical brassware perfectly matched to your chosen Clearwater bath or basin. Choose from either the Anglesey, Claremont, Birkenhead or Kensington tap head ranges and add these to basin taps, bath fillers or bath shower mixers packed with innovative technology and unique features.

For more information on the water saving benefits and innovative design features of Burlington taps, please see the Burlington brochure or visit [burlingtonbathrooms.com](http://burlingtonbathrooms.com)



Classical screw-down      Quarter turn

**QUARTER turn**  
All our taps (except Kensington) come with the classical screw down valves as standard. For 'Quarter Turn' simply add

### TAP HEADS

All available with any tap base for all applications



**Anglesey**  
Add AN to the start of the code



**Claremont**  
Add CL to the start of the code



**Birkenhead**  
Add BI to the start of the code



**Kensington**  
(Quarter turn only)  
Add KE to the start of the code

### STANDARD OR REGENT

All available with any tap base for all applications

#### Standard

To turn your standard taps into taps with Regent bases, simply add 'R' to your code. For example; your Claremont 3" basin taps (CL1) become Claremont Regent 3" basin taps (CLR1).

All our taps (except Kensington) come with the classical screw down valves as standard. For 'Quarter Turn' simply add 'QT' to the product code.



#### Regent

Regent tap bases have been designed so that the spouts are 3cm higher off the bath/basin (and a further 3cm away from the wall in the case of Regent wall-mounted taps) than their equivalent namesake. This creates an opulent feel and, in certain commercial applications, ensures compliance with some archaic building regulations.



Claremont deck-mounted bath shower mixer with "S" adjuster, see page 72 for details



## Burlington Bath Taps

### DECK MOUNTED



Bath shower mixer deck mounted with "S" adjuster  
Standard  
**Code: CL15**  
Regent  
**Code: CLR15**



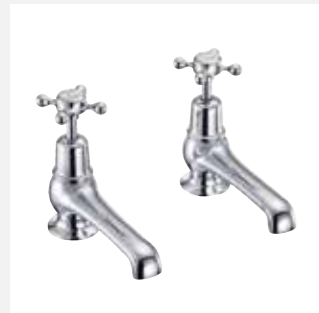
Angled Bath shower mixer deck-mounted with "S" adjuster  
Standard  
**Code: CL19**  
Regent  
**Code: CLR19**



Bath filler deck-mounted  
Standard  
**Code: CL23**  
Regent  
**Code: CLR23**



Angled bath filler deck-mounted  
Standard  
**Code: CL25**  
Regent  
**Code: CLR25**



Bath tap deck-mounted  
Standard  
**Code: CL3**  
Regent  
**Code: CLR3**

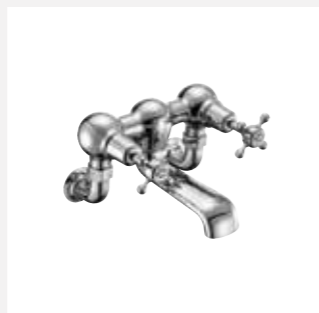
### WALL MOUNTED



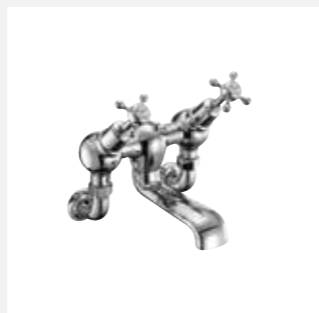
Bath shower mixer wall mounted with "S" adjuster  
Standard  
**Code: CL17**  
Regent  
**Code: CLR17**



Angled bath shower mixer wall-mounted with "S" adjuster  
Standard  
**Code: CL21**  
Regent  
**Code: CLR21**



Bath filler wall-mounted  
Standard  
**Code: CL24**  
Regent  
**Code: CLR24**

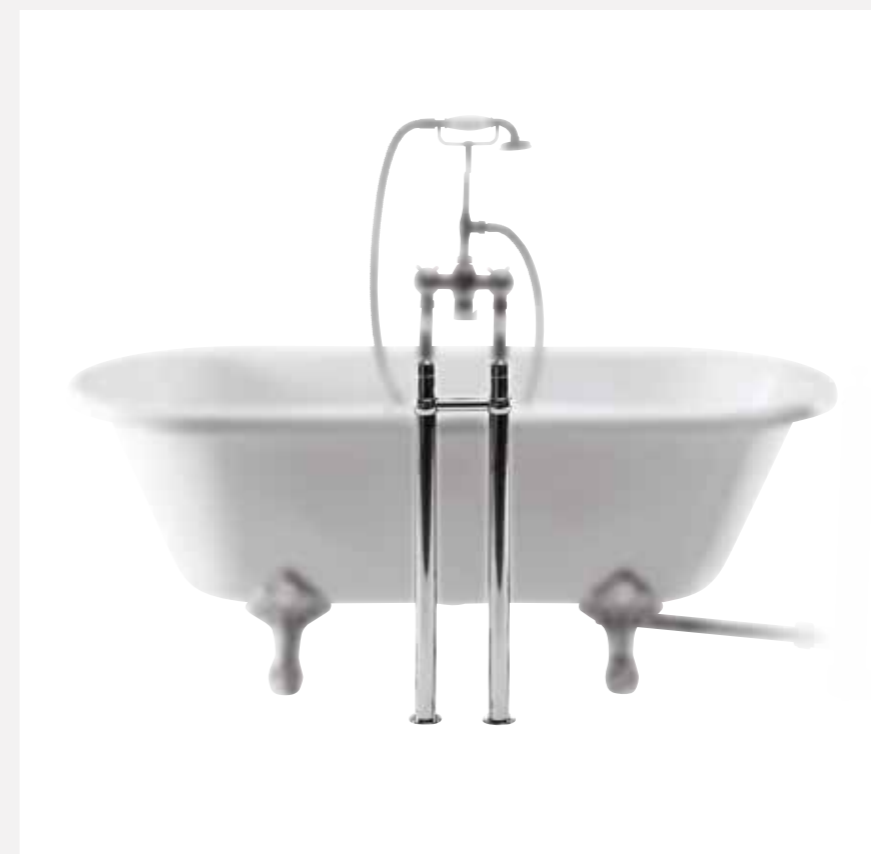


Angled bath filler wall-mounted  
Standard  
**Code: CL26**  
Regent  
**Code: CLR26**

## Shrouds and Stand Pipes



**Decorative shrouds**  
These are for use with baths with rim-mounted fittings and can be used with deck-mounted taps.  
D: 70, W: 70, H: 709  
**Code: W6**



**Stand pipes including horizontal support bar**  
These are for use with baths where fittings are not rim or wall-mounted (Water runs through the pipes). Can be used with deck-mounted taps.  
D: 100, W: 280, H: 600  
**Code: W7**

# Burlington Basin Taps





Medium Natural Stone basin with stainless steel basin stand, Claremont 1 tap hole basin mixer with high central indice click-clack waste and bottle trap.

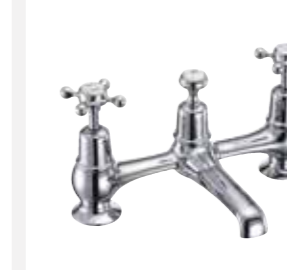
**Bathing in technology**

- Brass taps & heads
- Chrome plated to EN817 & EN200 and level 10 salt spray tested
- mixers are fitted with a flow straightener for low pressure installations
- A high pressure aerator is provided with every mixer for high pressure installations
- All mixers work on 0.2 bar to 5 bar pressure (i.e are low and high pressure taps)


## ONE TAP HOLE

		
Basin mixer with high central indice with click-clack waste Standard <b>Code: CL6</b> Regent <b>Code: CLR6</b>	Basin mixer with high central indice with pop-up waste Standard <b>Code: CL4</b> Regent <b>Code: CLR4</b>	Basin mixer with high central indice with plug and chain waste Standard <b>Code: CL5</b> Regent <b>Code: CLR5</b>

## TWO TAP HOLE

			
Basin tap 3" Standard <b>Code: CL1</b> Regent <b>Code: CLR1</b>	Basin tap 5" Standard <b>Code: CL2</b> Regent <b>Code: CLR2</b>	2 tap hole Bridge mixer with high central indice with plug and chain waste Standard <b>Code: CL10</b> Regent <b>Code: CLR10</b>	2 tap hole Arch mixer with curved spout (200mm centres) Standard <b>Code: CL27</b> Regent <b>Code: CLR27</b>

## THREE TAP HOLE


3 tap hole mixer with pop-up waste Standard <b>Code: CL12</b> Regent <b>Code: CLR12</b>

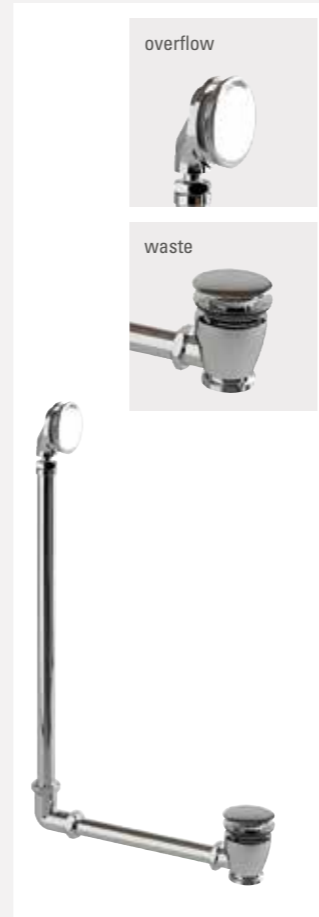
## Bath and Basin Overflows, Pipes, Traps & Wastes



Special bath waste for Natural Stone baths without a pre-drilled overflow hole (with un-slotted Click-Clack waste)  
D: 70, W: 70, H: 794  
**Code: CW11**



Exposed bath overflow, plug & chain  
D: 318, W: 75, H: 565  
**Code: W4**



Exposed bath overflow, click-clack waste  
D: 318, W: 75, H: 565  
**Code: CW6**



Click-clack bath waste slotted with gloss finish Natural Stone cover  
D: 70, W: 70, H: 60  
For use with baths with an overflow  
**Code: CW1N**



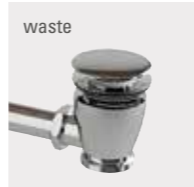
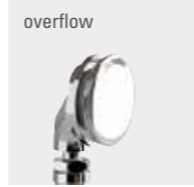
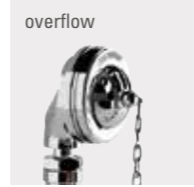
Click-clack bath waste unslotted with gloss finish Natural Stone cover  
D: 70, W: 70, H: 55  
For use with baths with an overflow  
**Code: CW2N**



Click-clack bath waste slotted  
D: 70, W: 70, H: 60  
For use with baths with an overflow  
**Code: CW1**



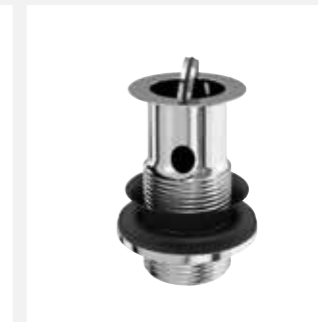
Click-clack bath waste unslotted  
D: 70, W: 70, H: 55  
For use with baths with an overflow  
**Code: CW2**



Click-clack basin waste slotted  
D: 61, W: 61, H: 71  
For use with baths with an overflow  
**Code: W11**



Click-clack basin waste un-slotted  
D: 61, W: 61, H: 86  
For use with baths without an overflow  
**Code: W22**



Flip-top basin waste slotted  
D: 61, W: 61, H: 71  
For use with baths with an overflow  
**Code: W18**



P-trap  
D: 50, W: 117, H: 86  
For use with baths with exposed pipe work  
**Code: CW3**



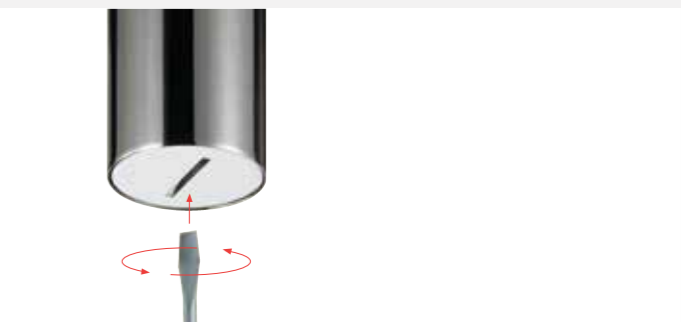
Classical basin bottle trap  
L: 367, W: 67, H: 197  
Pipe length can be cut to size on site  
**Code: W14**



P-trap Connection Pipe  
D: 40, L: 872, H: 220  
Pipe length can be cut to size on site  
**Code: W21**



Flat bottom basin bottle trap  
D: 362, W: 67, H: 180  
Pipe length can be cut to size on site  
**Code: W13**



Flat bottom bottle trap (easy access for hair removal or finding lost jewellery!!)



## Fire Hydrant *for the ultimate classical look*



a. Extension

**Classical Fire Hydrant**  
Supplied with extension and P-trap waste & extension  
D: 795, W: 119, H: 697  
**Code: W8N**

**a. Extension\***  
\* Allows the waste pipe to be fitted up to 950mm away from the centre of the bath waste hole.  
**b. waste & P-trap Extension\***  
\* Allows the waste pipe to be situated up to 500mm away from the waste.

Fire Hydrants can be fitted to the following classical baths:



**LONIO**  
*Natural Stone*  
See page 42



**BATELLO**  
*Natural Stone*  
See page 44



**CLASSICO**  
*Natural Stone*  
See page 46



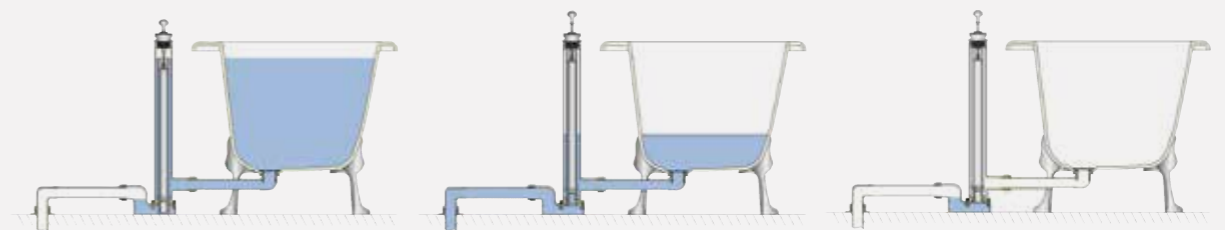
**ROMANO**  
*Natural Stone*  
See page 48

## Technology

Named Fire Hydrant due to its classic design, this is a very distinctive waste system that operates from the plug hole. Water fills the hydrant which incorporates a built in overflow and plug system, simply lift the handle to empty your bath. This waste system adds a level of opulence to your bathroom.



**Fire Hydrant technology**  
The waste pipe in our 'Fire Hydrant' is designed so that you can change the angles to fit into your waste in the floor.  
Fire Hydrants can be used in a free-standing position.



Full bath using overflow

Emptying bath

Empty bath



On all Fire Hydrants  
See website for more details

## Modern Baths



**NEBBIA**  
*Natural Stone*  
See page 06



**FORMOSO**  
*Natural Stone*  
See page 08



**FORMOSO  
PICCOLO**  
*Natural Stone*  
See page 10



**ARMONIA**  
*Natural Stone*  
See page 12



**VIGORE**  
*Natural Stone*  
See page 14



**SONTUOSO**  
*Natural Stone*  
See page 16



**LACRIMA**  
*Natural Stone*  
See page 18



**PURO**  
*Natural Stone*  
See page 20



**PURO WITH  
PLINTH**  
*Natural Stone*  
See page 22



**PATINATO**  
*Natural Stone*  
See page 24



**NINFEA**  
*Natural Stone*  
See page 26



**PALERMO**  
*Natural Stone*  
See page 28



**PALERMO  
PICCOLO**  
*Natural Stone*  
See page 30



**VICENZA**  
*Natural Stone*  
See page 32



**VICENZA  
PICCOLO**  
*Natural Stone*  
See page 35



**TEARDROP  
LARGE**  
*LAR*  
See page 36



**TEARDROP  
SMALL**  
*LAR*  
See page 38



On all Classical  
& Modern Baths  
See website for more details

## Classical Baths



**LONIO**  
*Natural Stone*  
See page 42



**BATELLO**  
*Natural Stone*  
See page 44



**CLASSICO**  
*Natural Stone*  
See page 47



**ROMANO**  
*Natural Stone*  
See page 48



**CLEARWATER BATHS, MADE FROM THE  
HIGHEST QUALITY MATERIALS**

**Natural Stone.** Without doubt the finest material for a bath is Natural Stone, for it provides a rigid and strong bath of great elegance, without any need for ledges or surrounds. Each of our Natural Stone baths are hand polished for over ten hours providing a gorgeous velvety finish. Natural Stone is available on modern baths, classical baths and matching basins.

clearwaterbaths.com  
info@bathroombrands.com  
Tel +44(0)1322 473222

Join us on social:  
facebook.com/clearwaterbaths  
twitter.com/clearwaterbaths  
pinterest.com/clearwaterbaths



bathroombrands.com

The Bathroom Brands Group  
BBL House, Jubilee Promenade, Albert Pier, St Helier, Jersey JE2 3NW

Due to continuous product improvements we reserve the right to change the product specification without prior notice. The text, images and layout of this catalogue are protected by copyright and other intellectual property rights. All images within this brochure are, where possible, a true representation of our products. Some colours may vary. Please visit the website for more information.

Our website should be used as reference for the most up to date product specification.